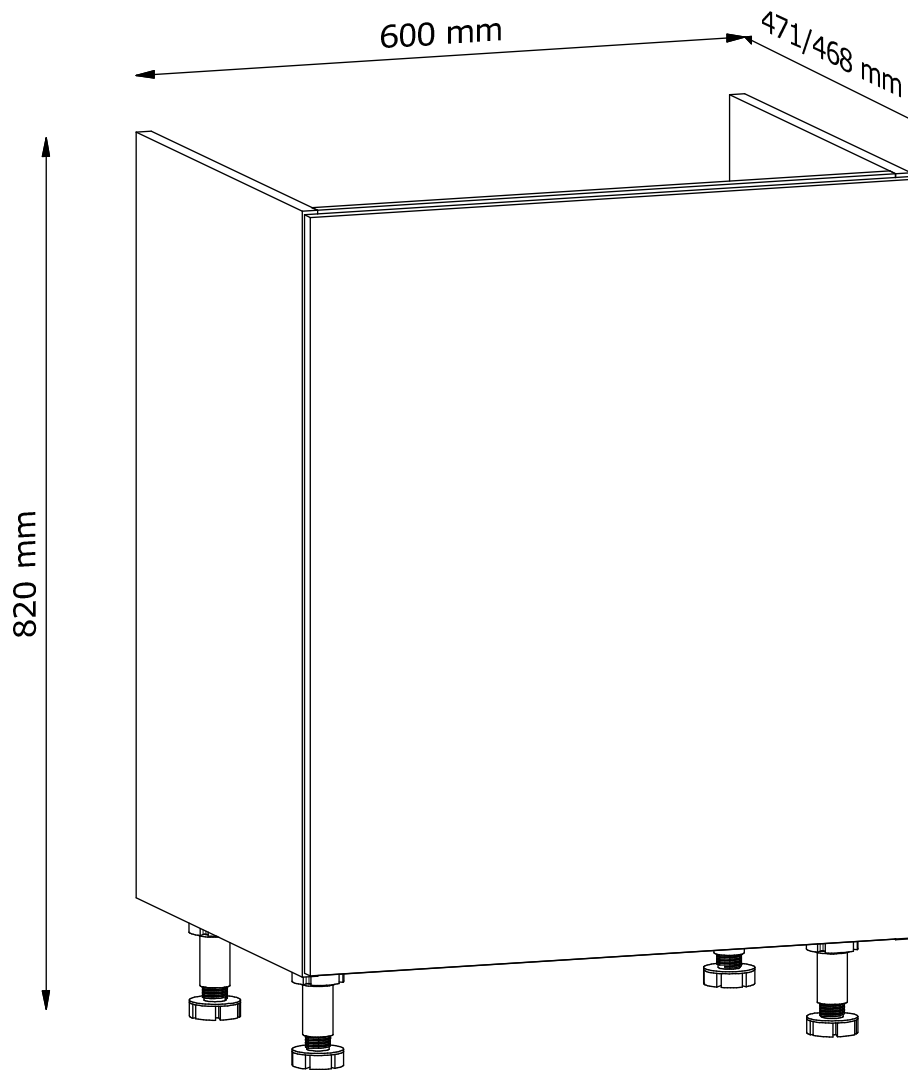
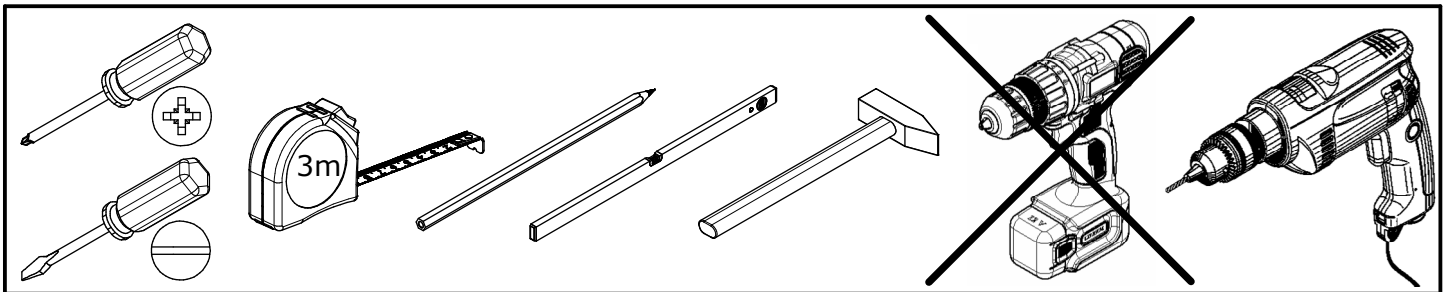


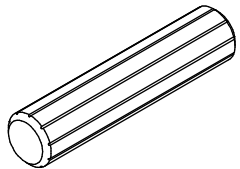
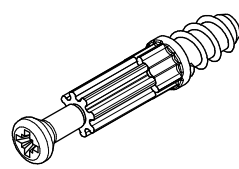
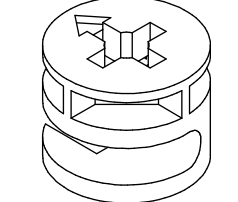
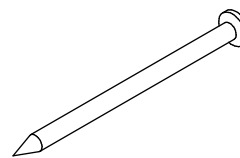
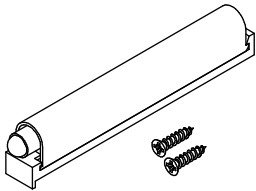
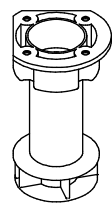
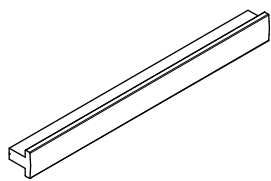
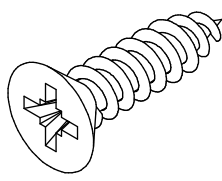
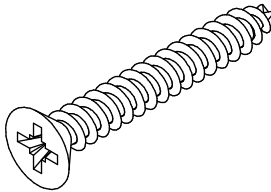

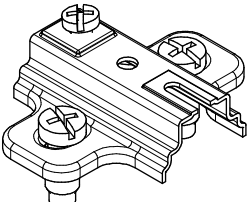
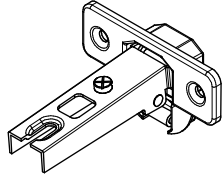
D60Z

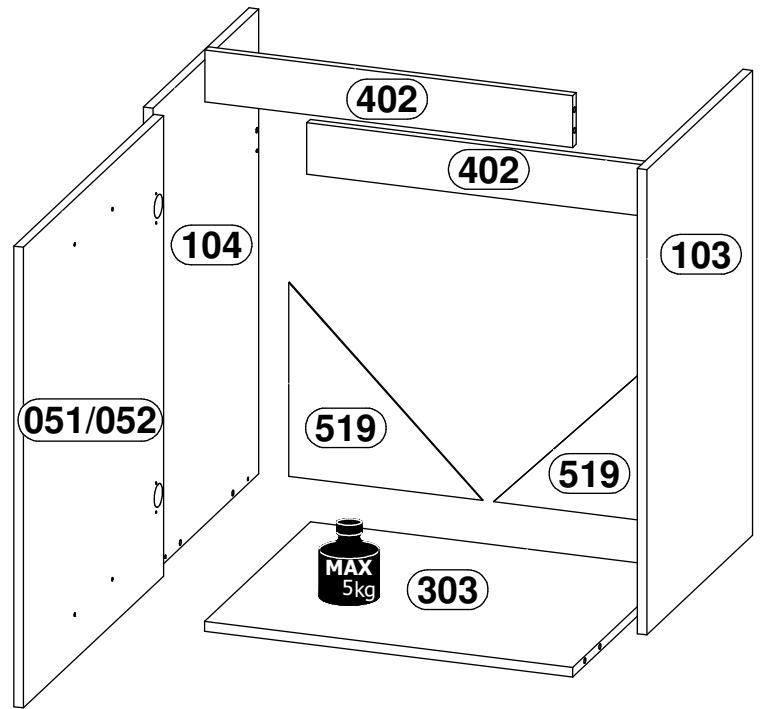
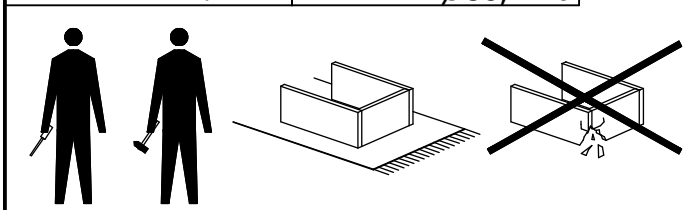


PL: INSTRUKCJA MONTAŻU
EN: ASSEMBLY MANUAL
CZ: PŘÍRUČKA PRO MONTÁŽ
SK: PRÍRUČKA PRE MONTÁŽ
DE: MONTAGEANLEITUNG
SR: UPUTSTVO ZA INSTALACIJU
NL: MONTAGE-INSTRUCTIES

06.07.2020 - Rev. 1



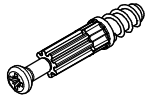
A1 x 8  $\text{Ø}8 \times 35 \text{mm}$	B1 x 8  $\text{Ø}5 \times 38 \text{mm}$	C1 x 8  $\text{Ø}15 \times 12 \text{mm}$	G1 x 12  26mm	I15 x 1  $86 \times 16 \times 10 \text{mm}$
L1 x 4  $\text{Ø}50 \times 95 \text{mm}$	U19 x 1  300mm	W2 x 20  $\text{Ø}3,5 \times 16 \text{mm}$	W5 x 2  $\text{Ø}4 \times 30 \text{mm}$	Y1 x 2  $\text{Ø}8 \times 1,5 \text{mm}$
Z1 x 2  $50 \times 40, H=2$	Z3 x 2  $\text{Ø}35, ZK0$			



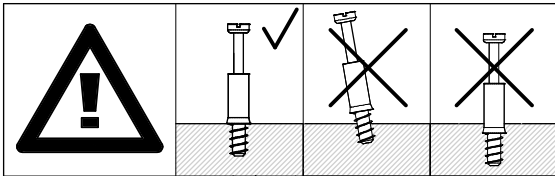
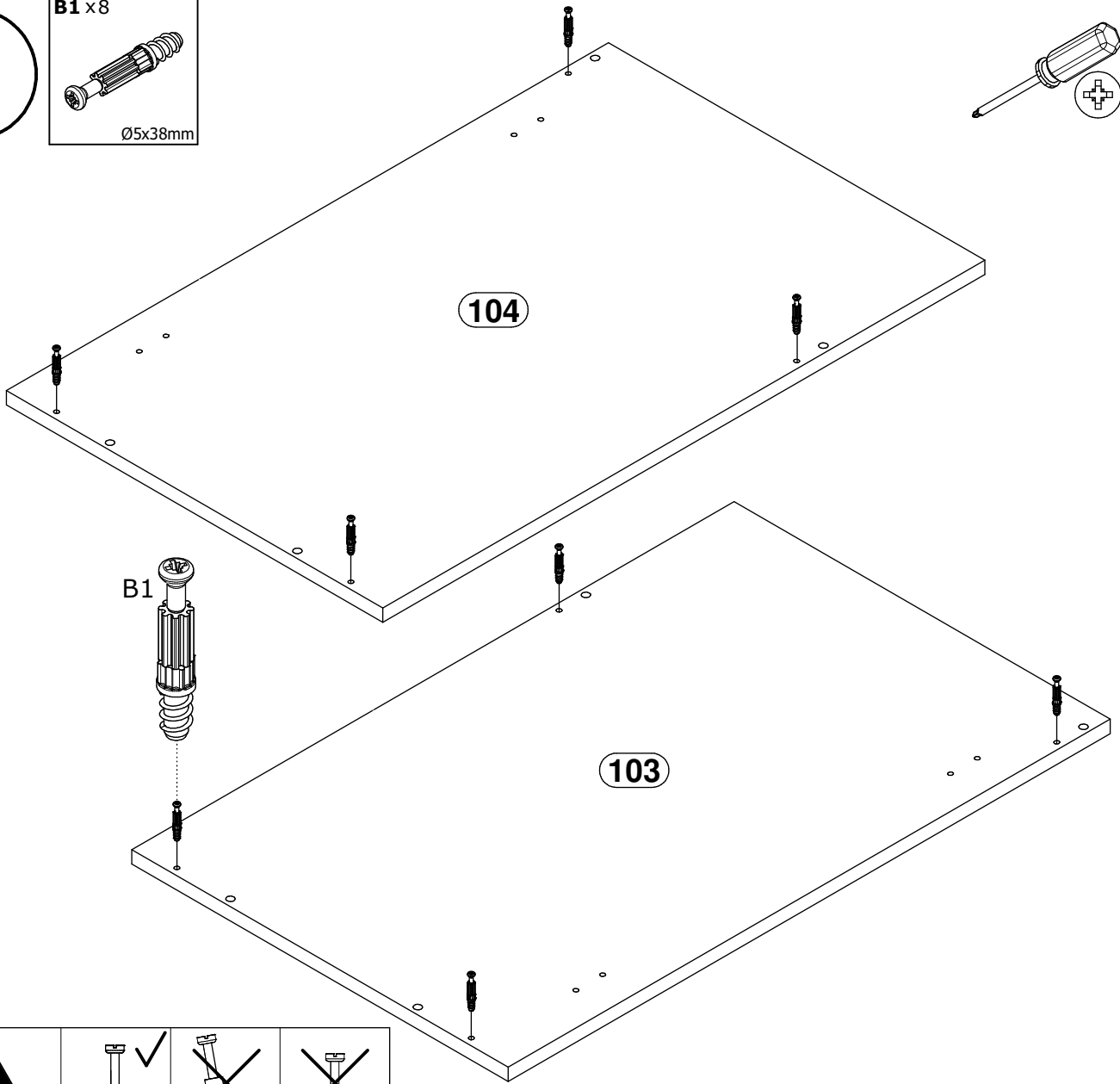
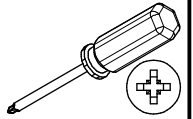
No.	L[mm]	W[mm]	H[mm]	PCS	BOX
051/052	713	596	15/18	1	2/2
103	720	450	15	1	1/2
104	720	450	15	1	1/2
303	570	450	15	1	1/2
402	570	80	15	2	1/2
519	300	300	2,5	2	1/2

1

B1 x8

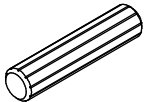


Ø5x38mm



2

A1 x4

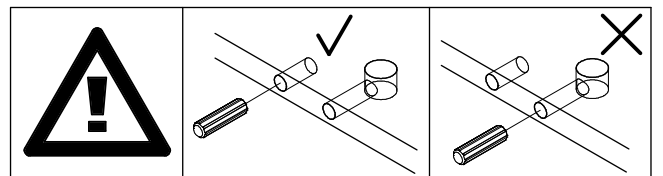
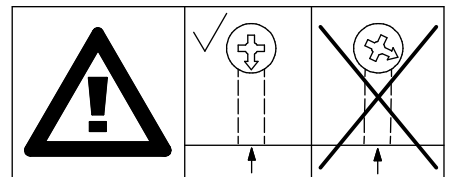
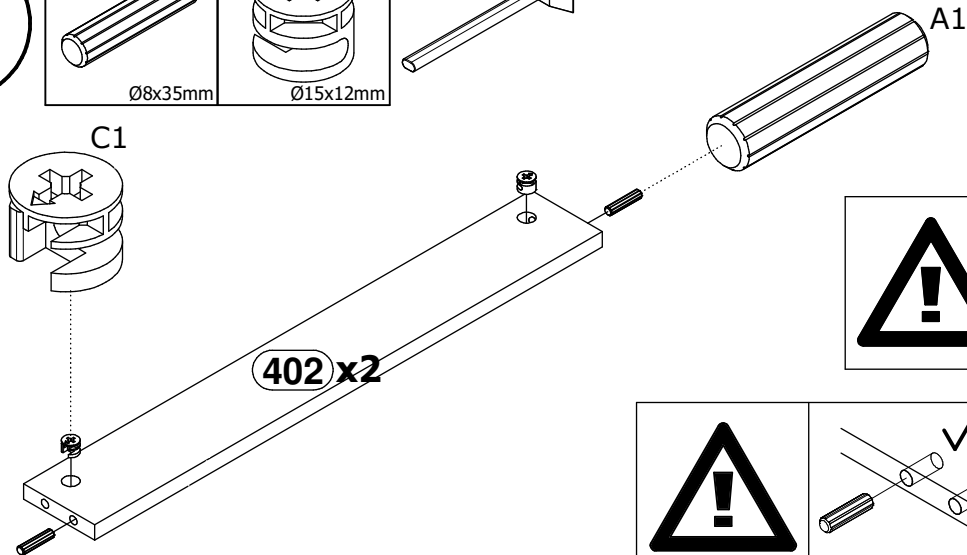
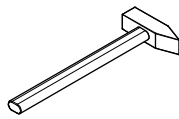


Ø8x35mm

C1 x4

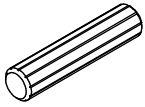


Ø15x12mm



3

A1 x4



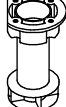
Ø8x35mm

C1 x4



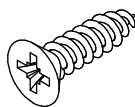
Ø15x12mm

L1 x4

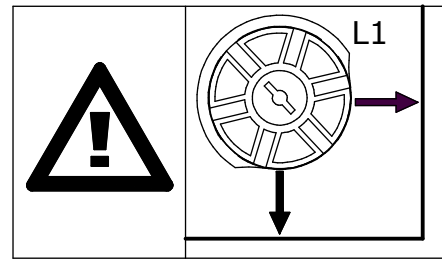
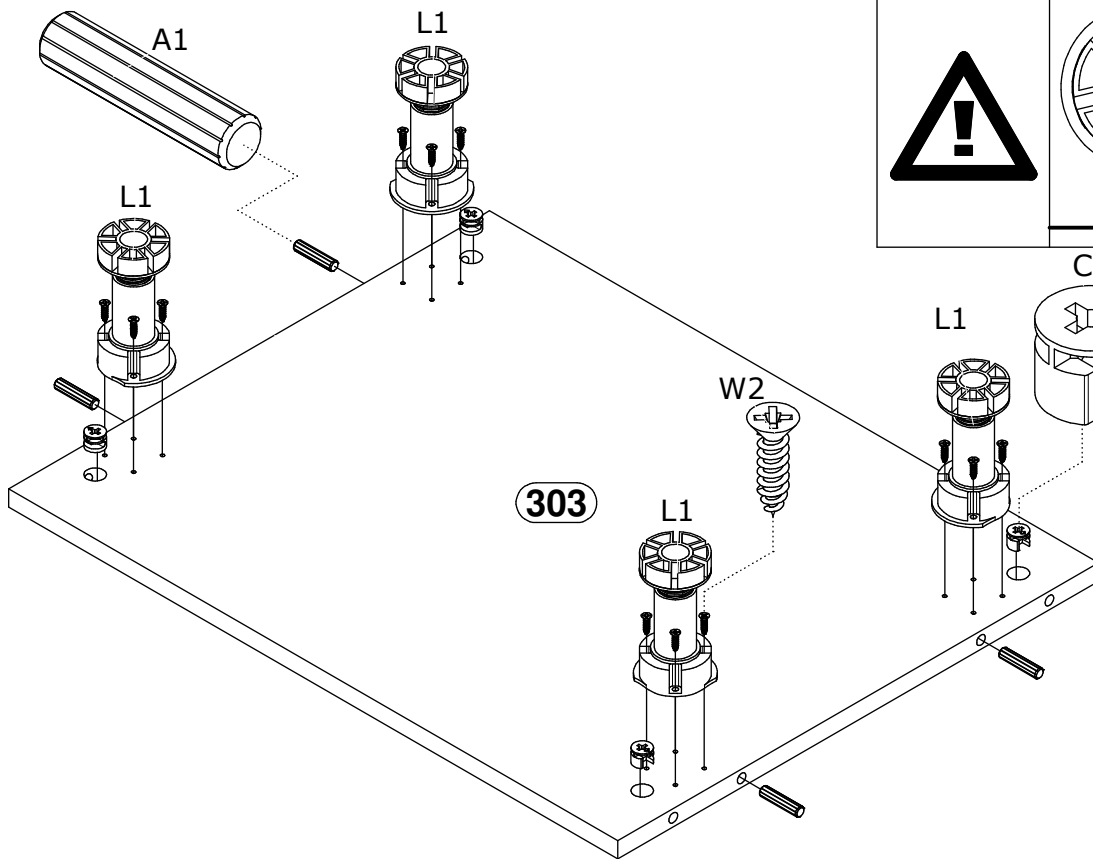
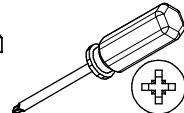
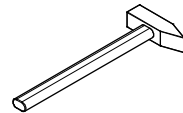


Ø50x95mm

W2 x16



Ø3,5x16mm

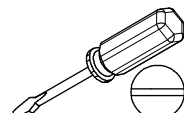
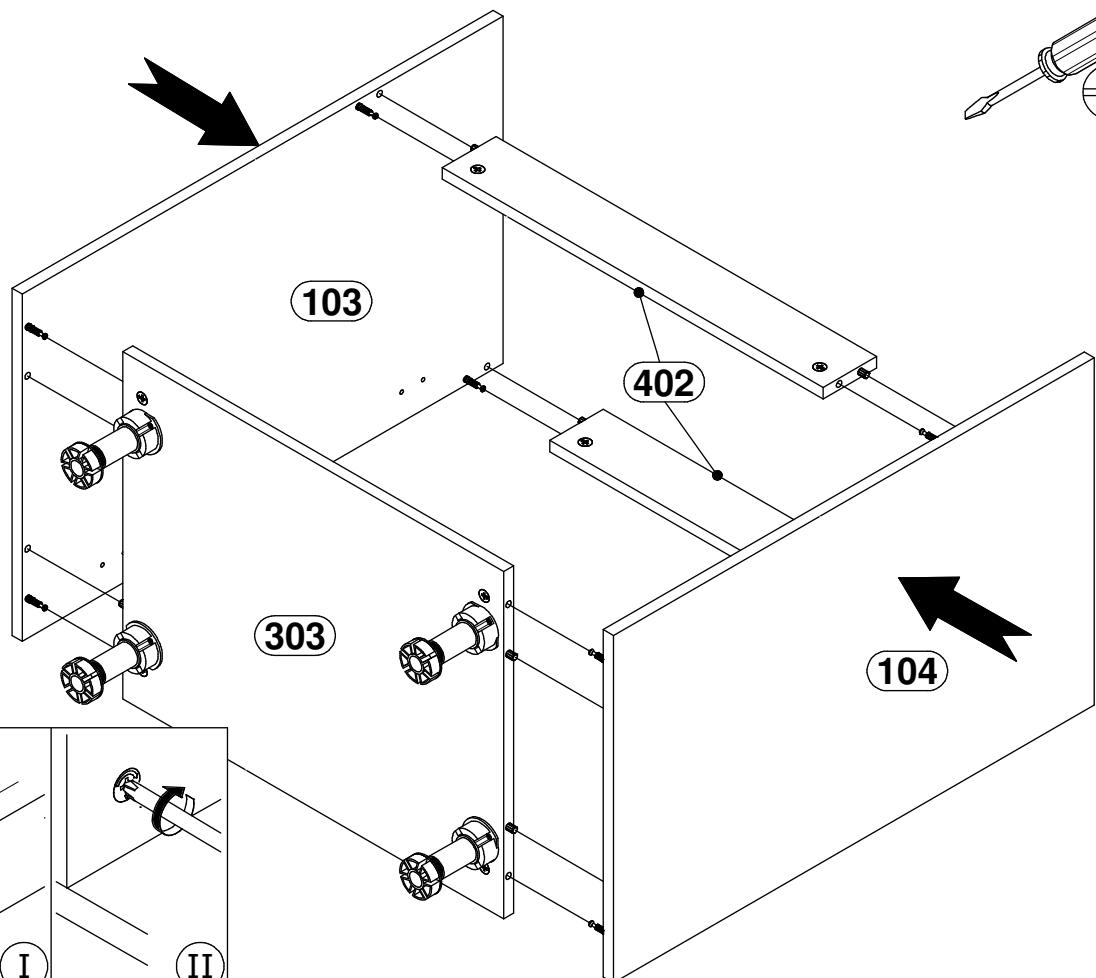


C1

L1

303

4

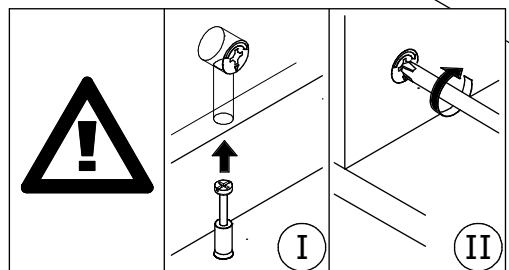


103

402

303

104

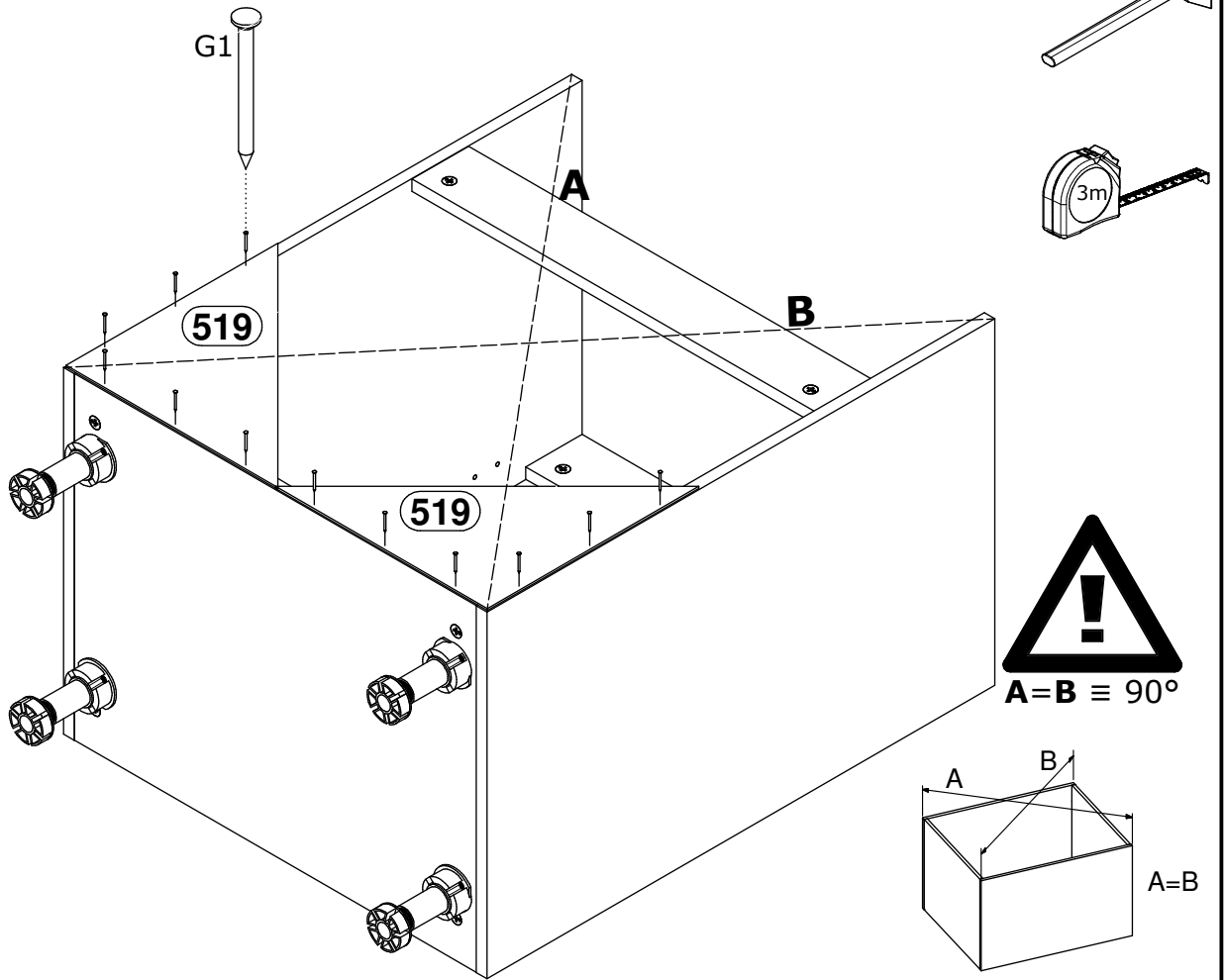
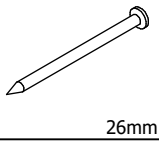


I

II

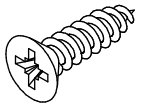
5

G1 x 12



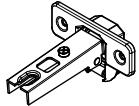
6

W2 x 4

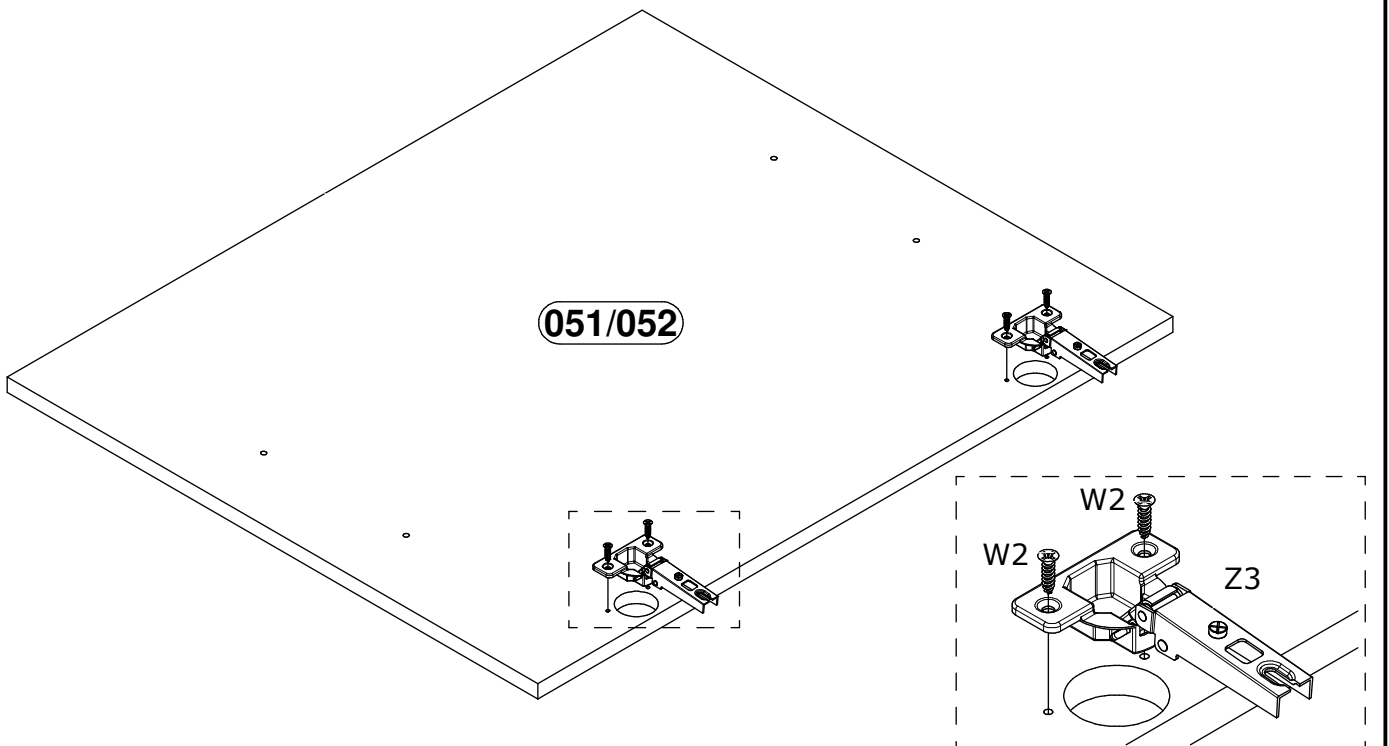
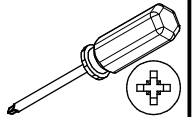


Ø3,5x16mm

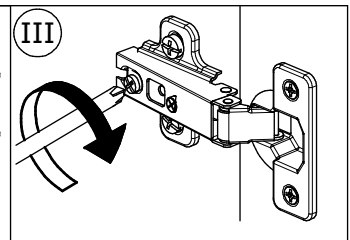
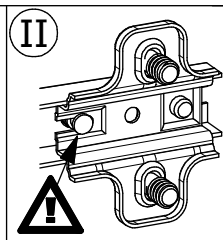
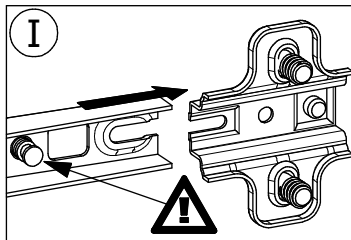
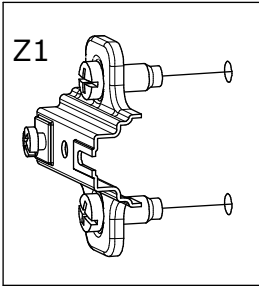
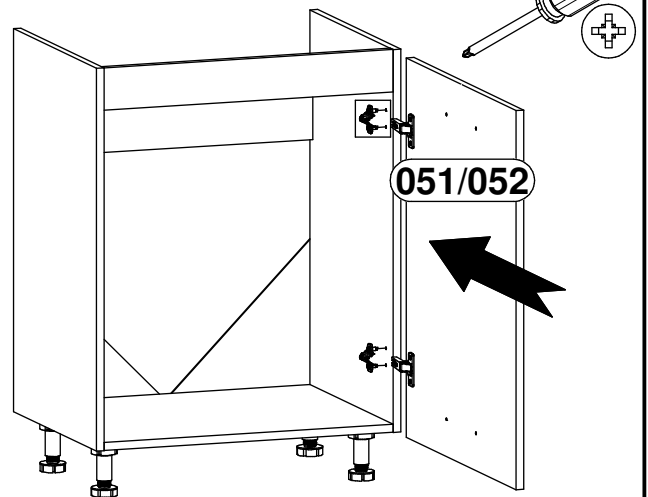
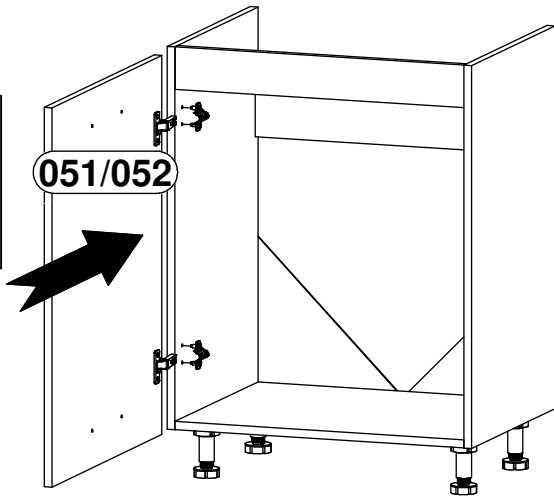
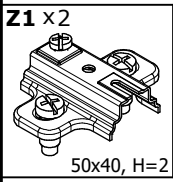
Z3 x 2



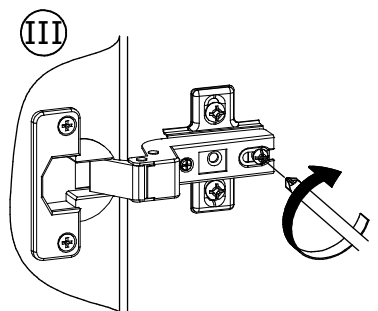
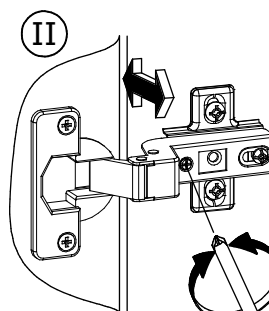
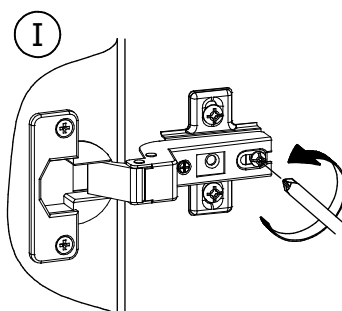
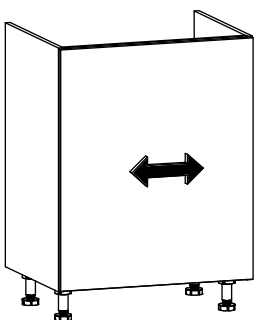
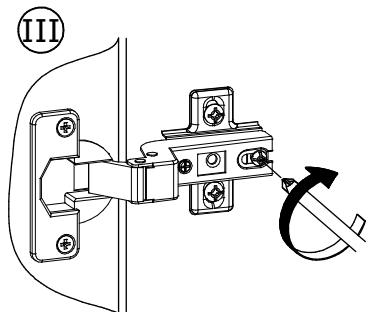
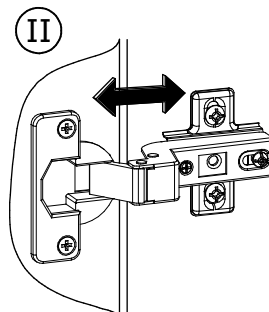
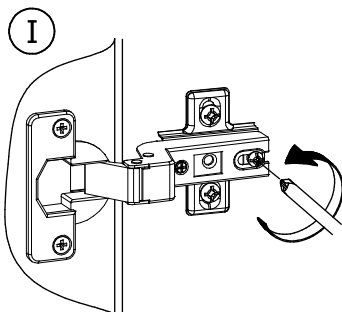
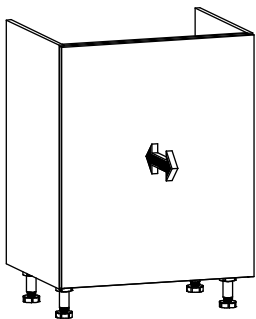
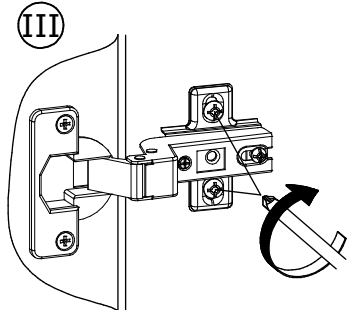
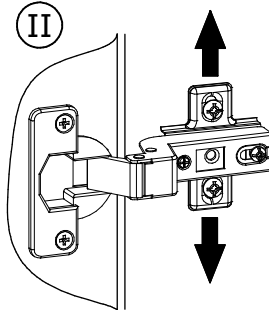
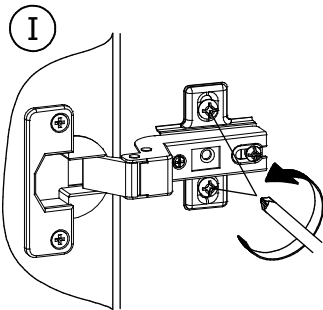
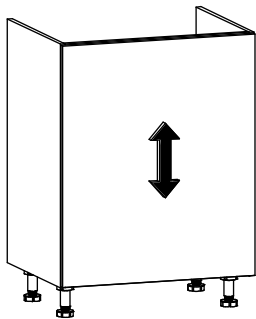
Ø35, ZK0



7



8



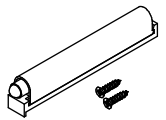
?

A

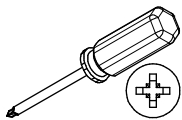
B

A

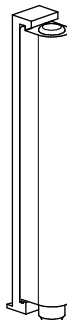
I15



86x16x10mm

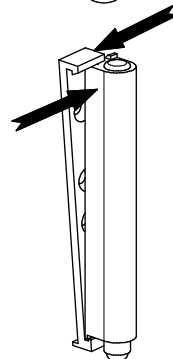


I

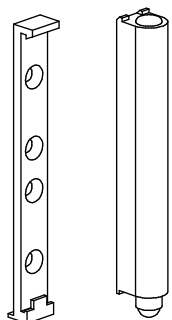


I15

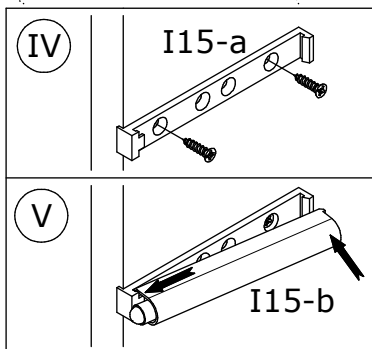
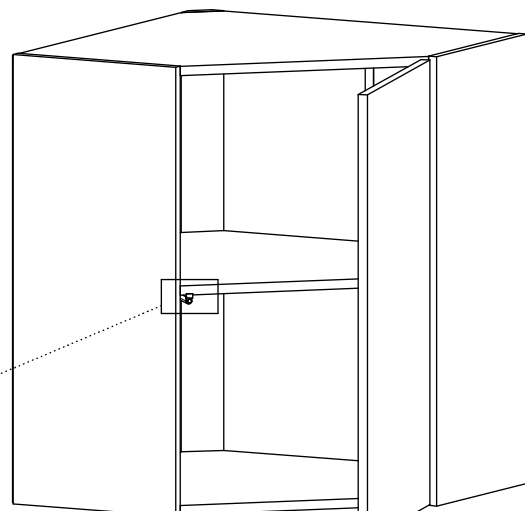
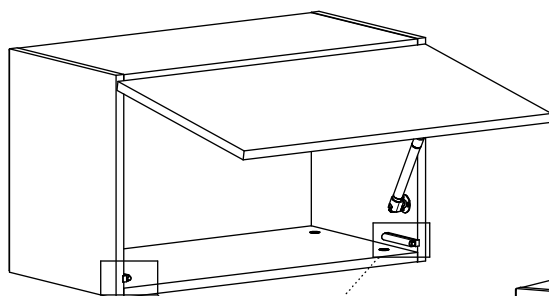
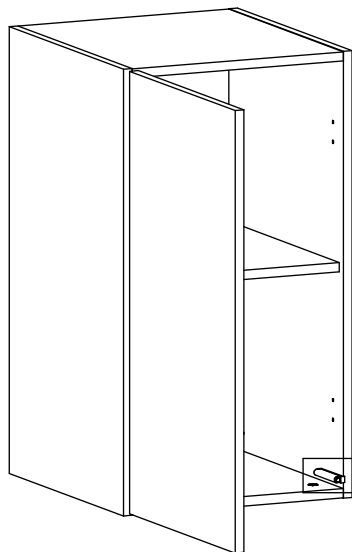
II



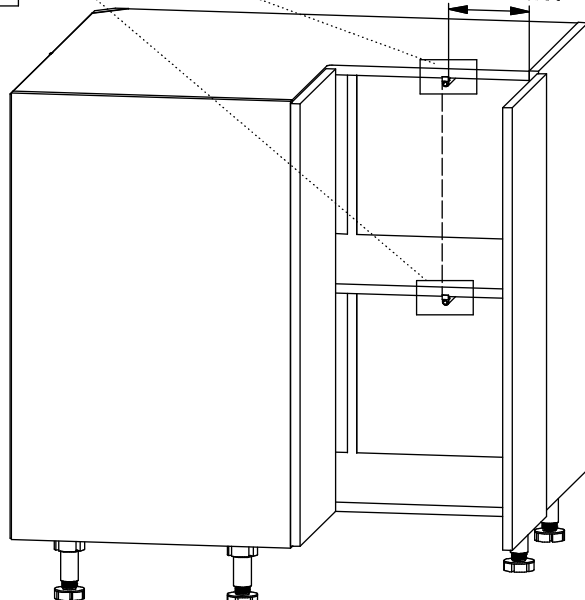
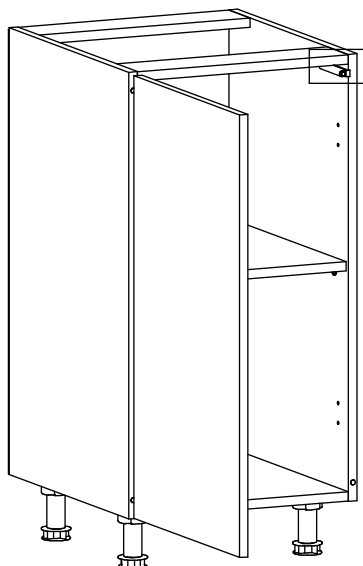
III



I15-a I15-b

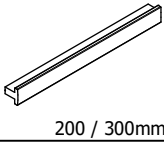


130 mm



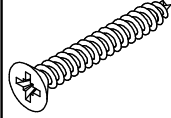
B

U18 / U19



200 / 300mm

W5

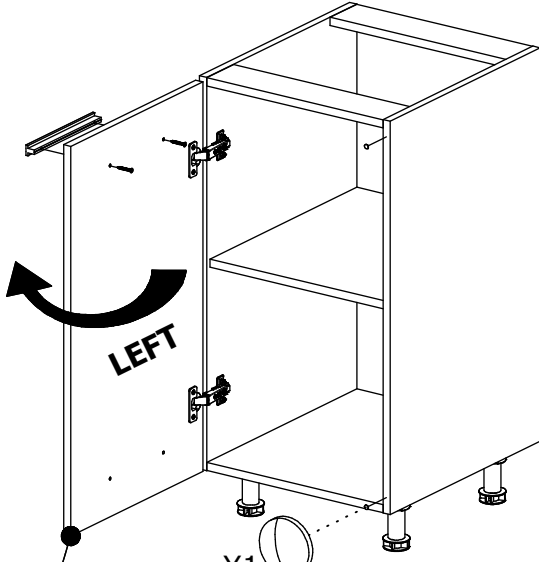
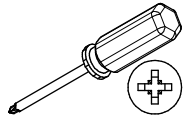
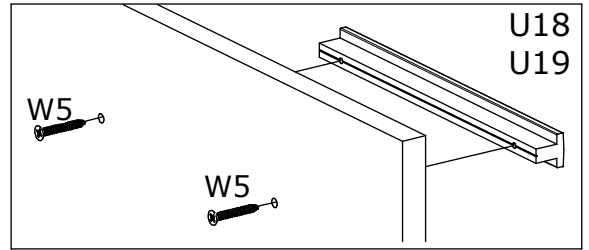


Ø4x30mm

Y1

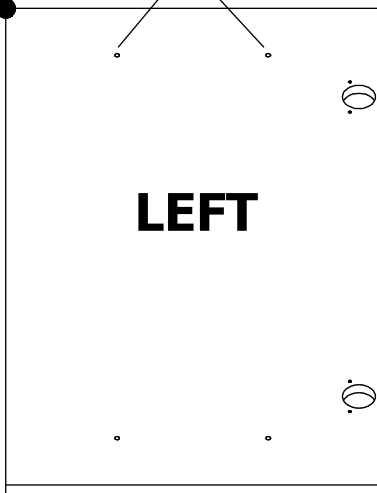
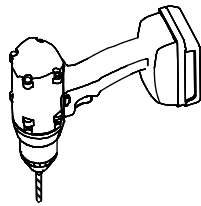


Ø8x1,5mm

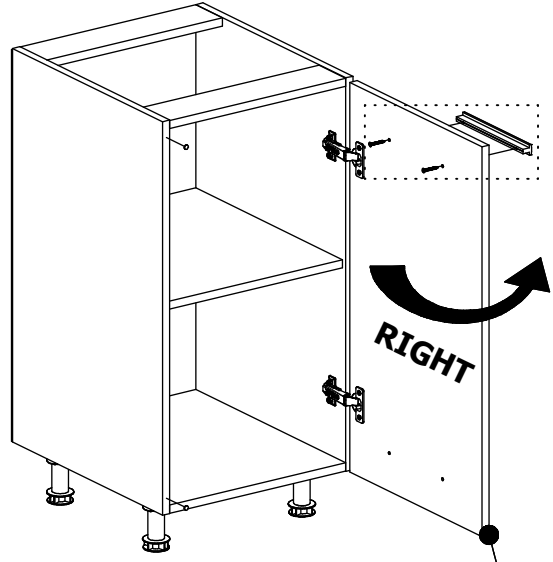


LEFT

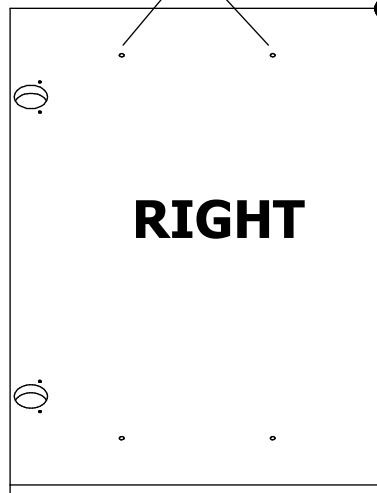
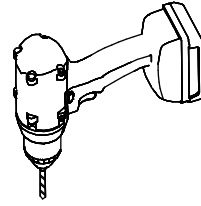
Y1



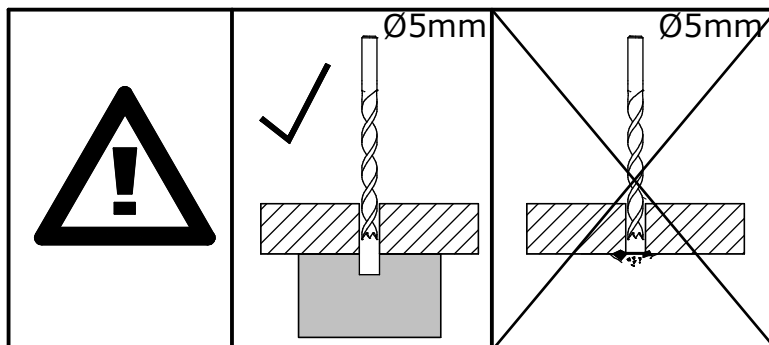
LEFT



RIGHT

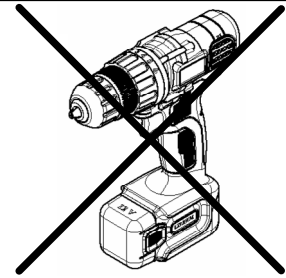
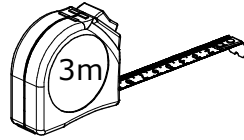
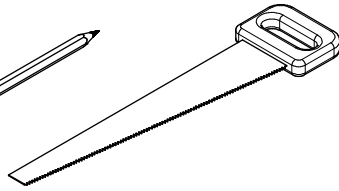
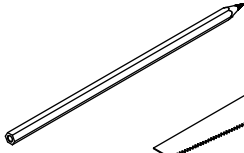
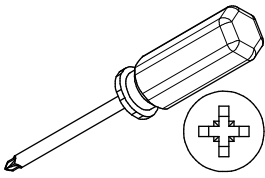


RIGHT

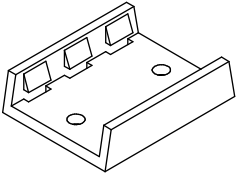


Ø5mm

Ø5mm

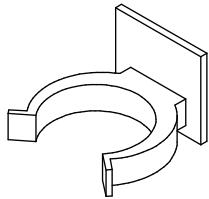


L6-ax8



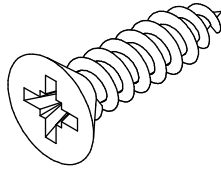
38x30x10mm

L6-bx8

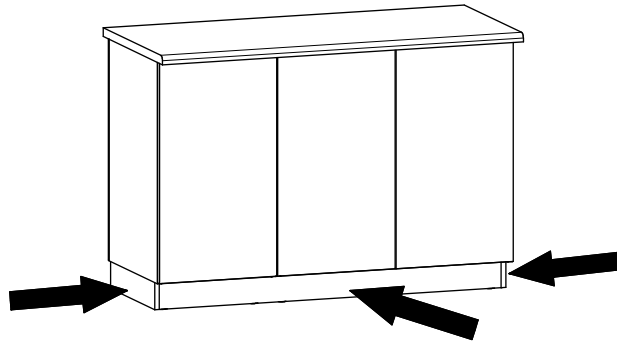
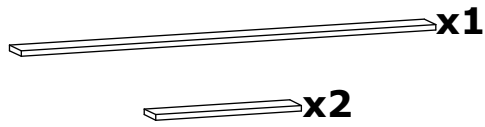


35x32x25mm

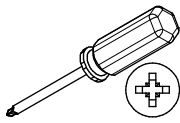
W2x16



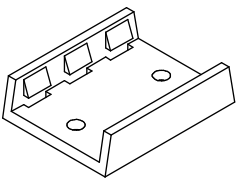
Ø3,5x16mm



C1

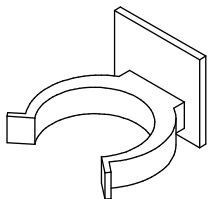


L6-ax4



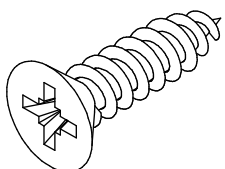
38x30x10mm

L6-bx4

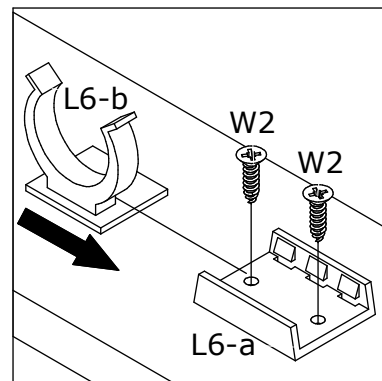
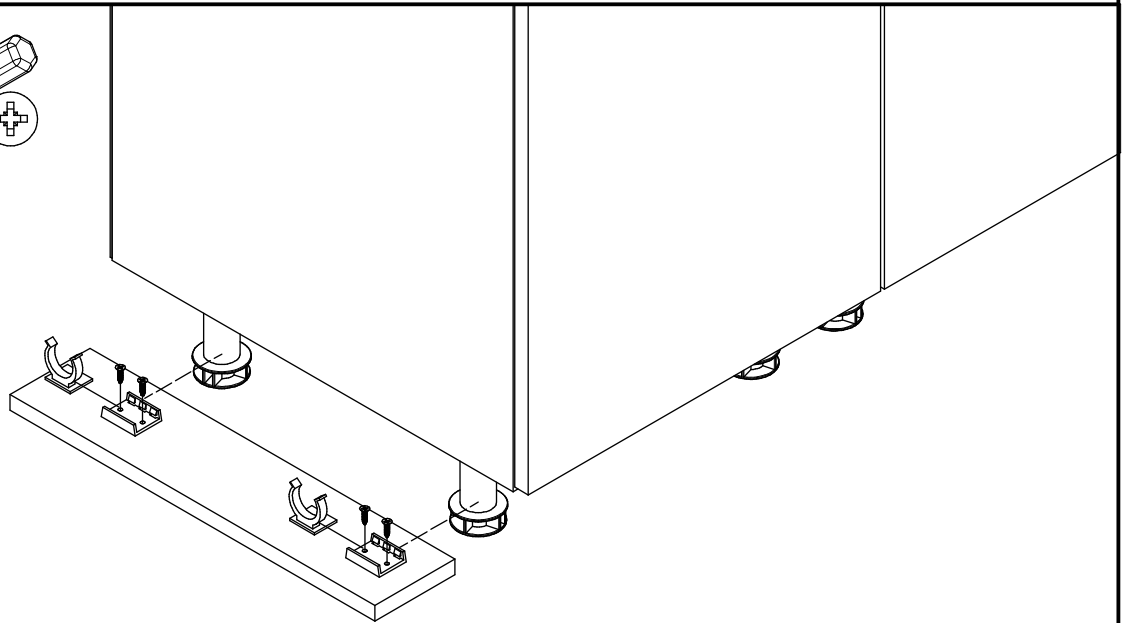


35x32x25mm

W2x8

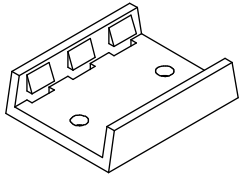


Ø3,5x16mm



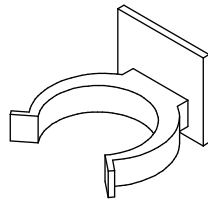
C2

L6-a×4



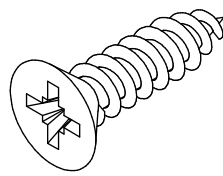
38x30x10mm

L6-b×4



35x32x25mm

W2×8



Ø3,5x16mm

