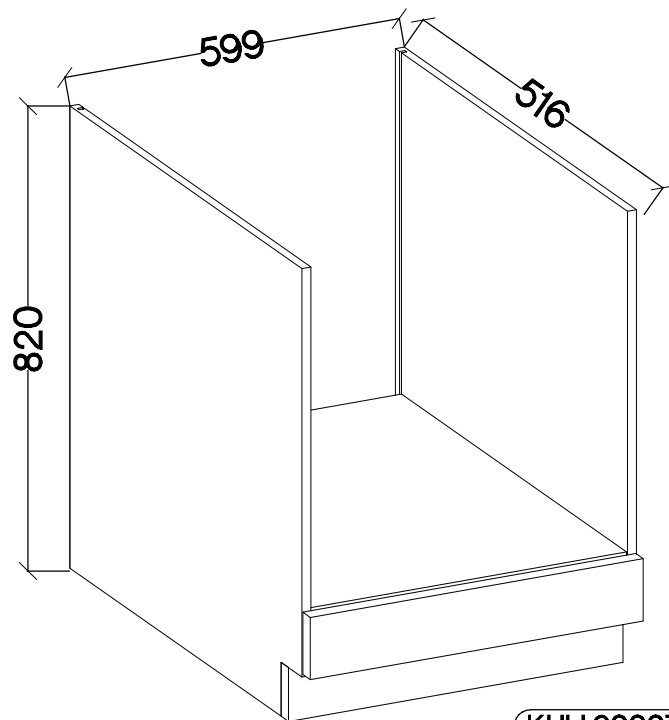
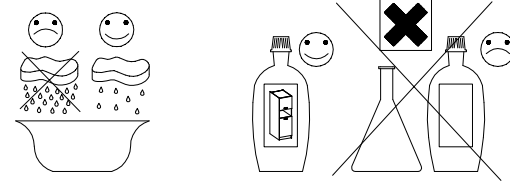
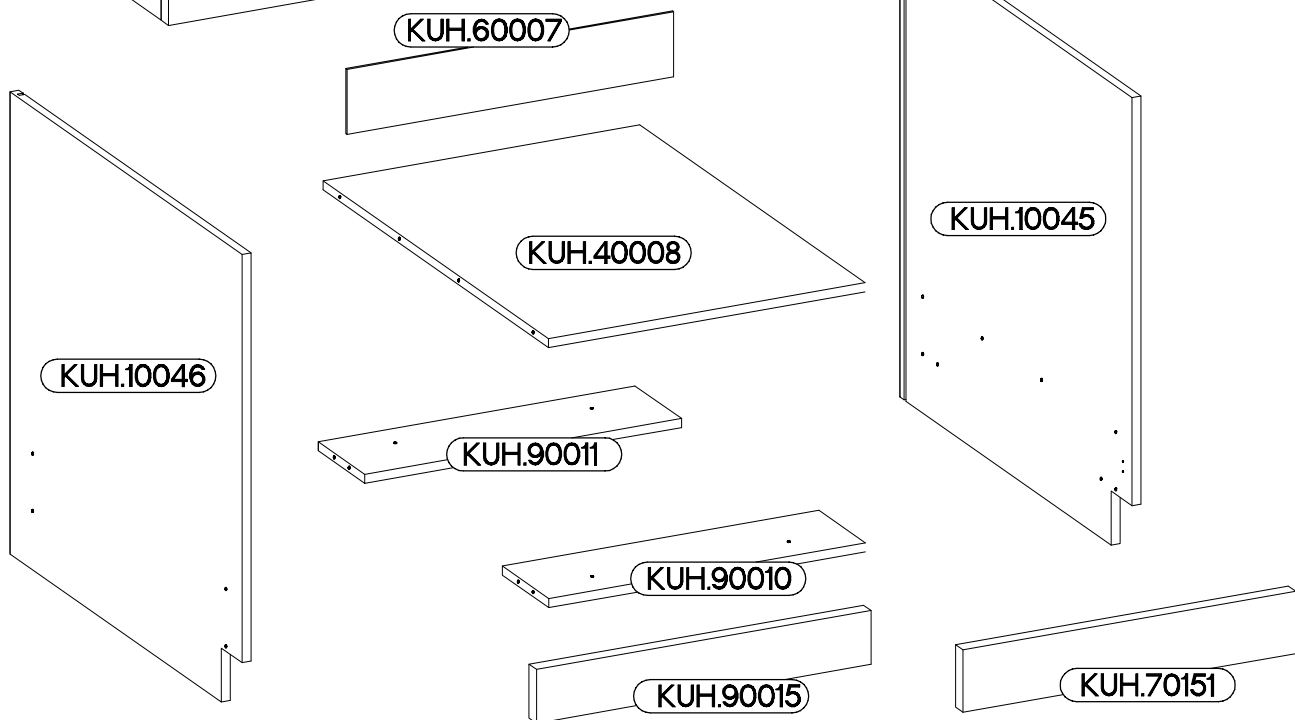
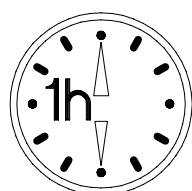


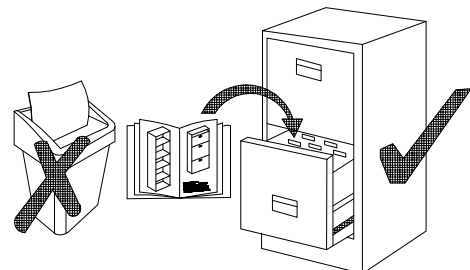
60 D GAZ BB



KUH.40008

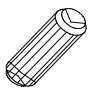
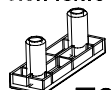




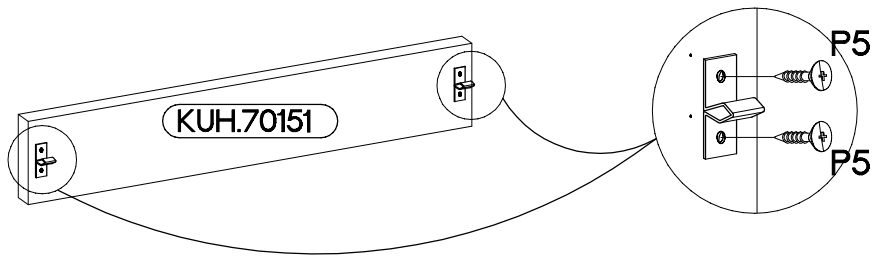
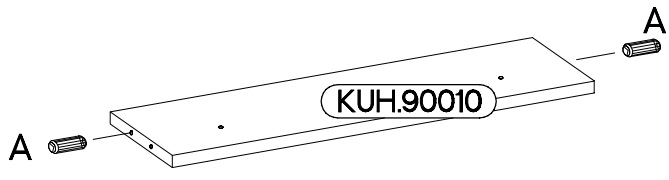
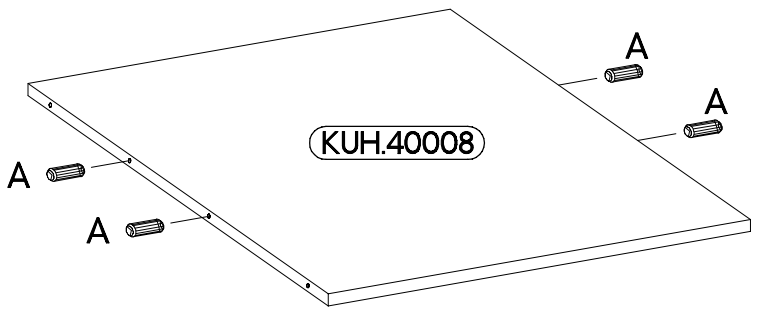
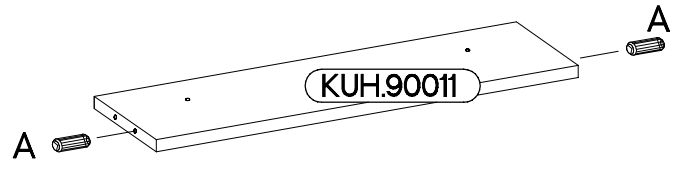
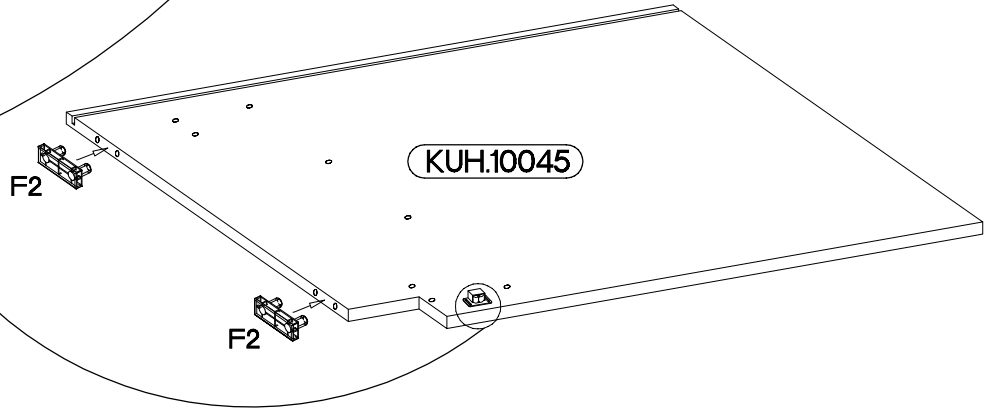
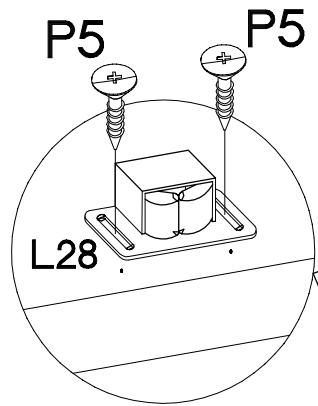
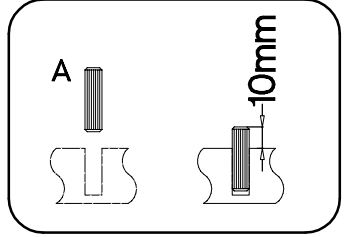
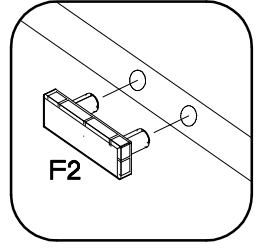
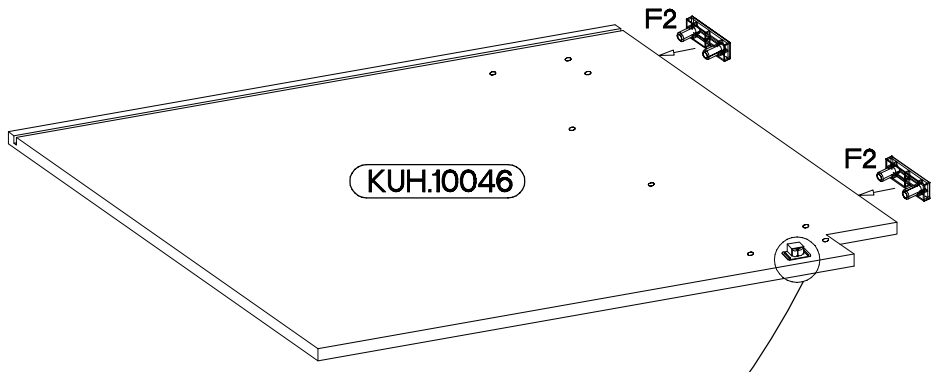
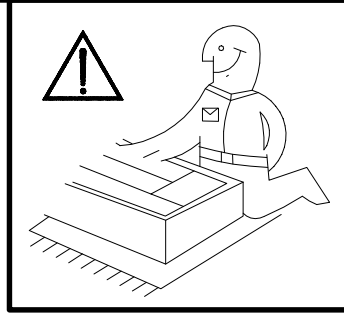
 <b>A</b> 8	 <b>B</b> 8	 <b>E1</b> 8	 <b>E9</b> 2	 <b>F2</b> 4
 <b>L28</b> 2	 <b>O</b> 0	 <b>P4</b> 2	 <b>P5</b> 8	 <b>P7</b> 8-10
+8x30mm	6,4 x 50mm	+4.0x45mm	+3.5x13mm	6.5x48x16 +3.0x20mm



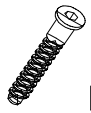
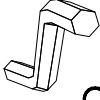

ISM-KUH-00942

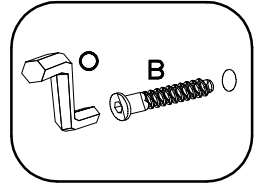
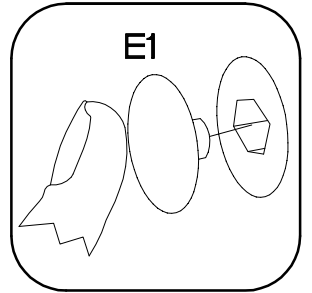
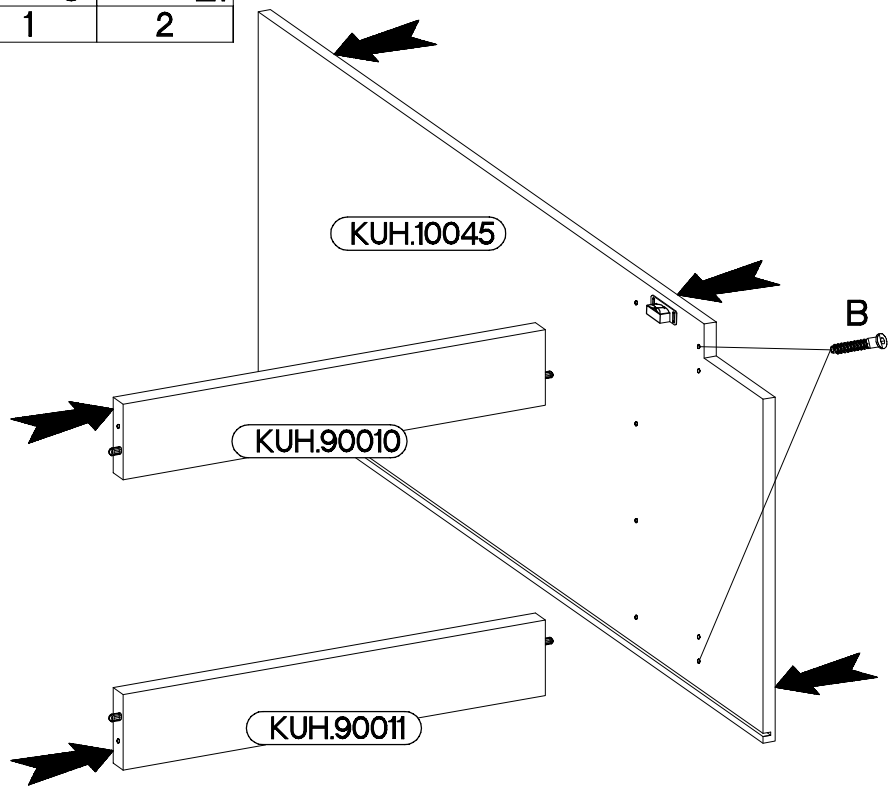
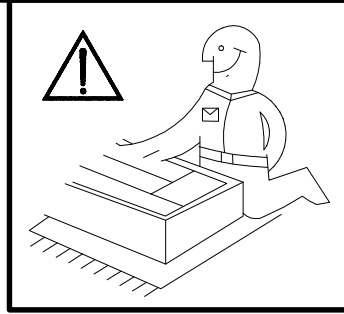
1

±8x30mm  A 8	6.5x48x16  F2 4	 L28 2	±3.5x13mm  P5 8
---	--	--	--


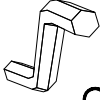


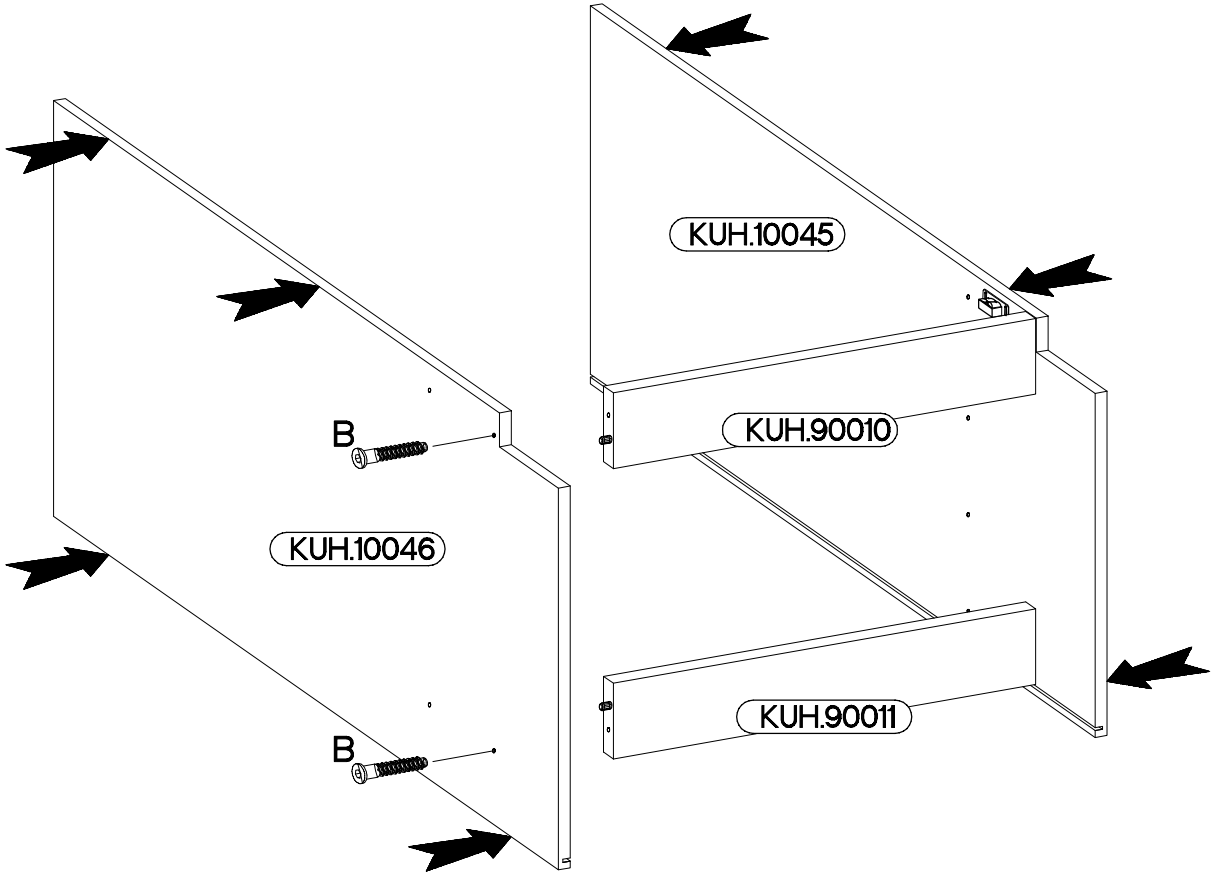
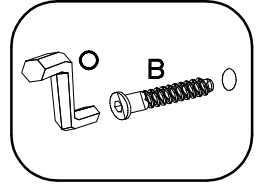
2

6,4 x 50mm		
		
B	O	E1
2	1	2




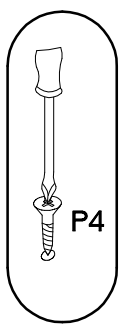
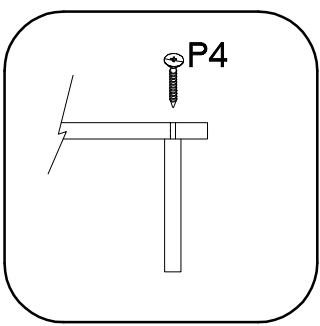
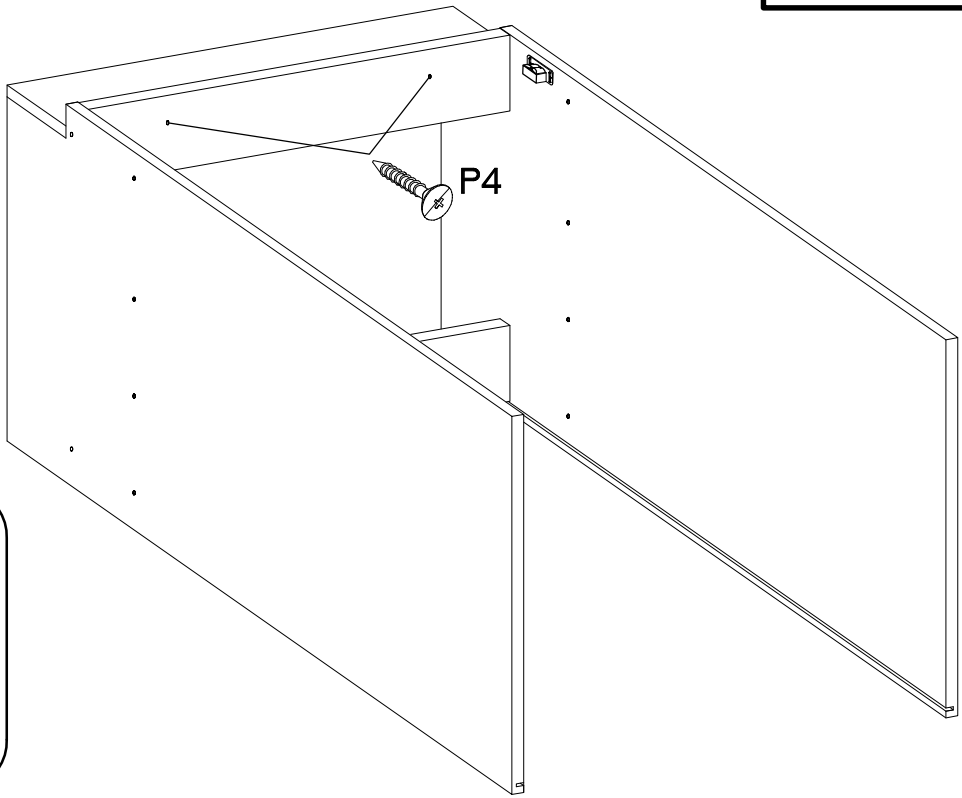
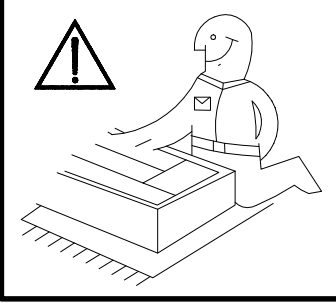
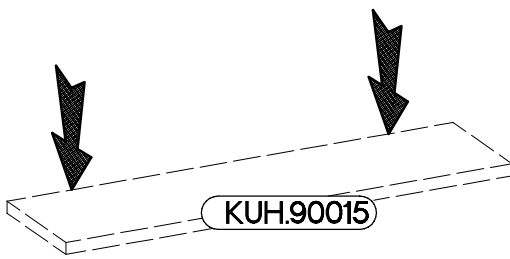
3

6,4 x 50mm	
	
B	O
2	1

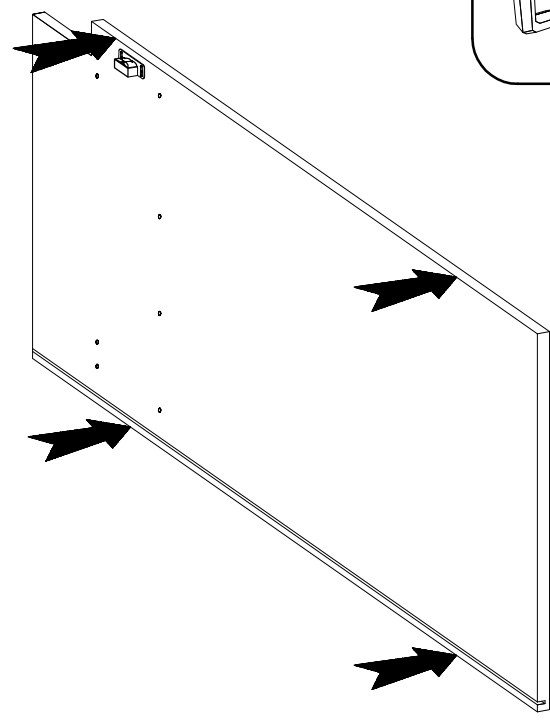
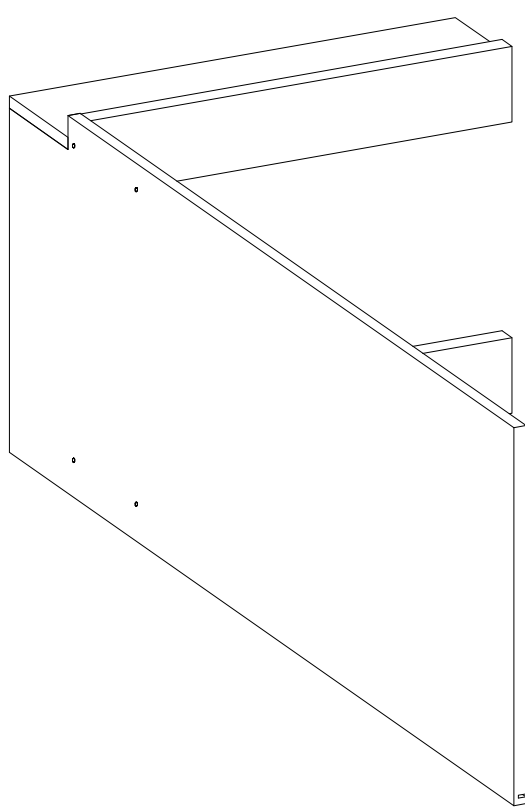
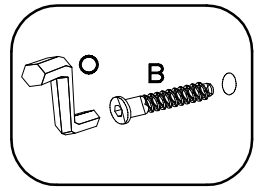


4

	$\pm 4.0 \times 45 \text{mm}$
E9	P4
2	2

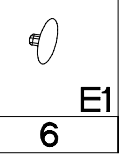
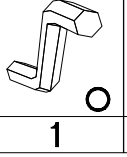
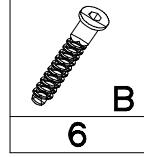


5



6

6,4 x 50mm



B

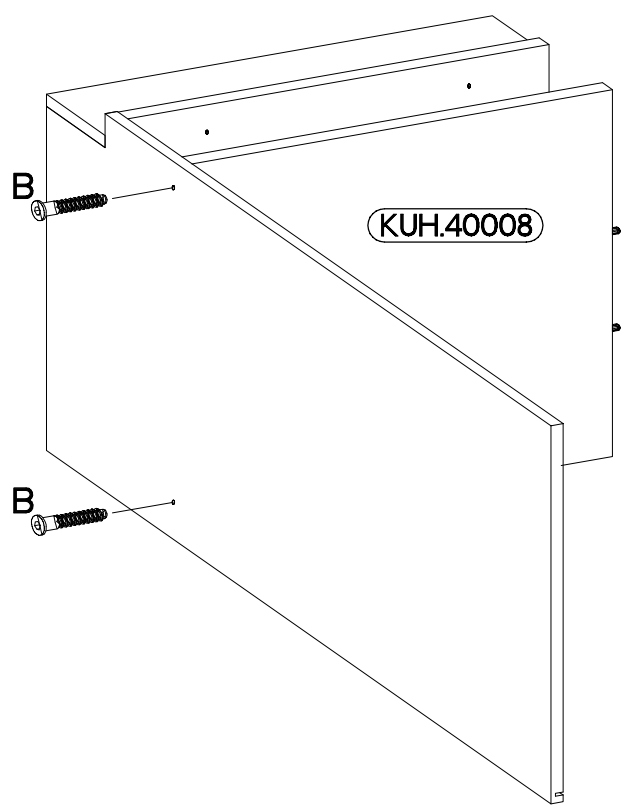
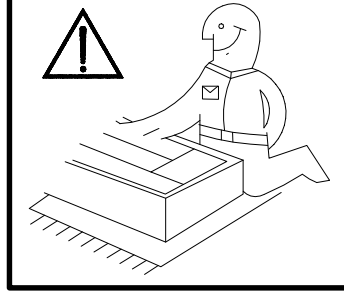
O

E1

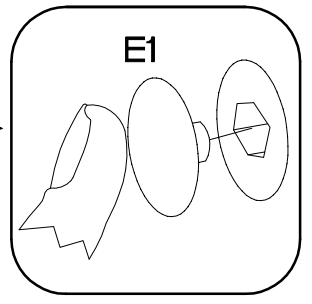
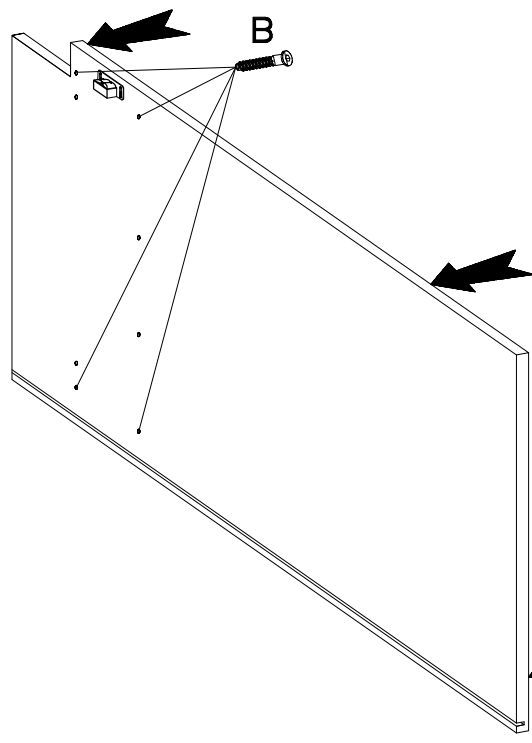
6

1

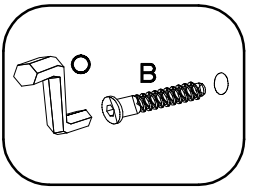
6



KUH.40008

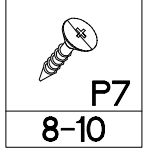


E1



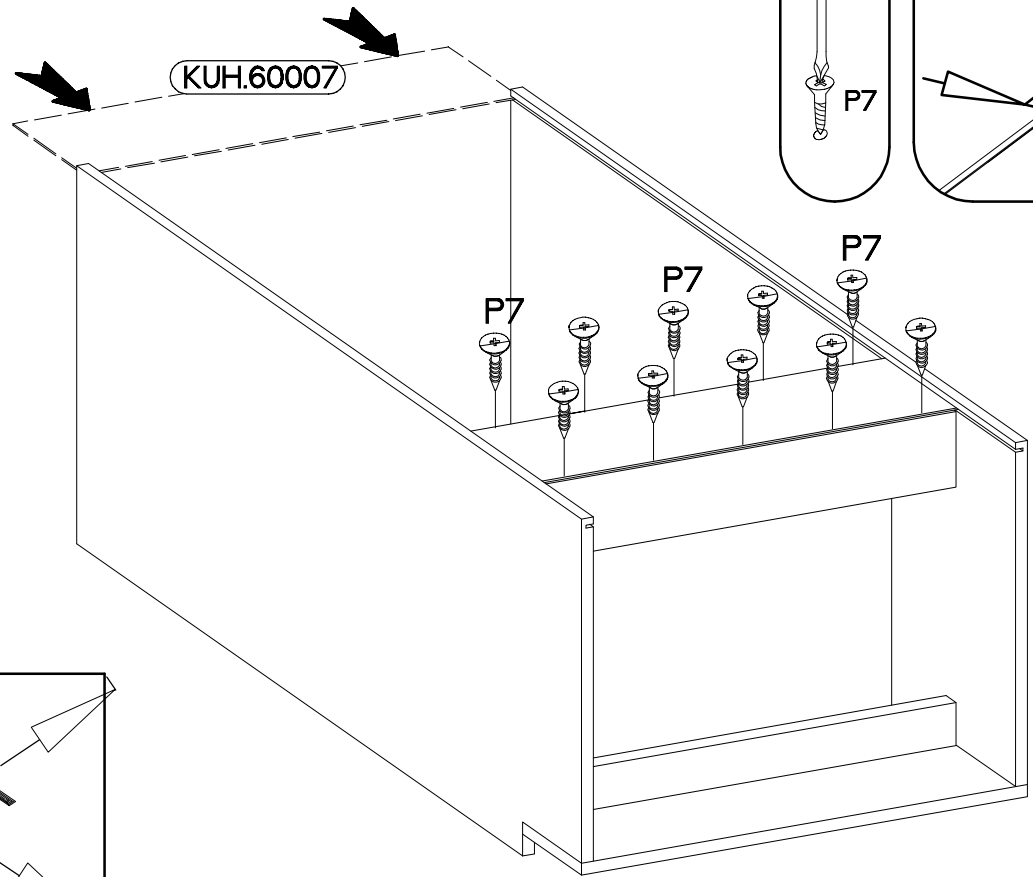
7

3.0x20mm

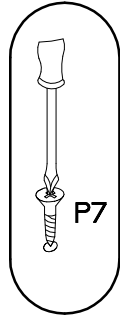


P7

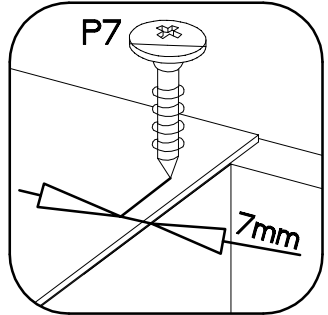
8-10



KUH.60007

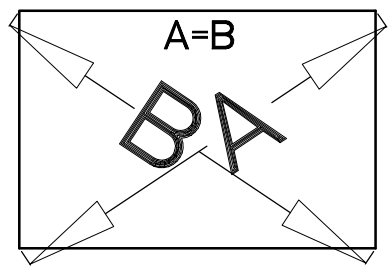


P7



P7

7mm



A=B

BA

