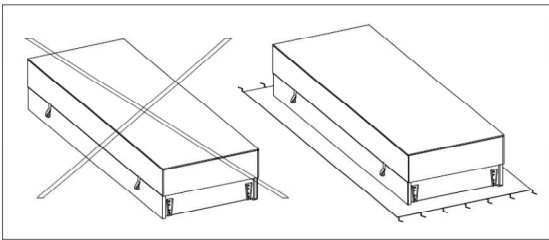
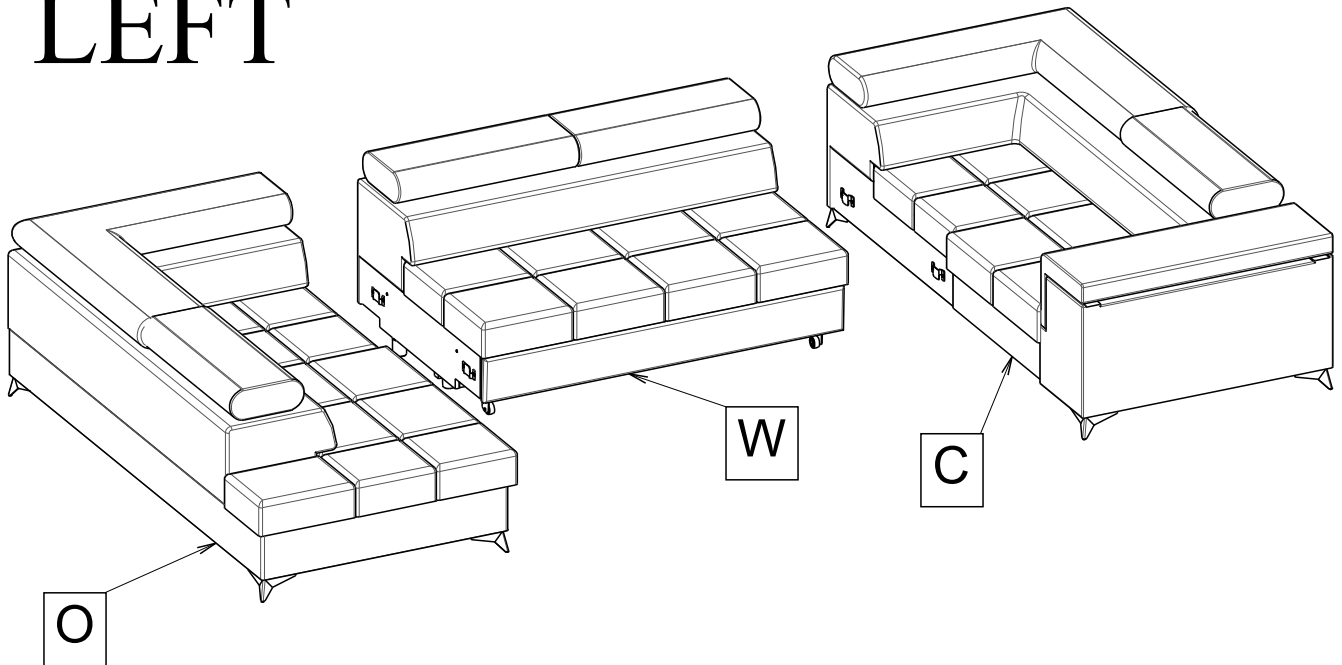


40min 1/10

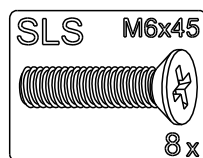
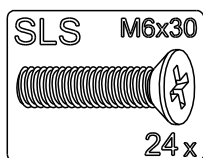
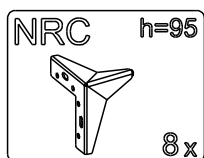
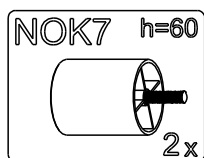
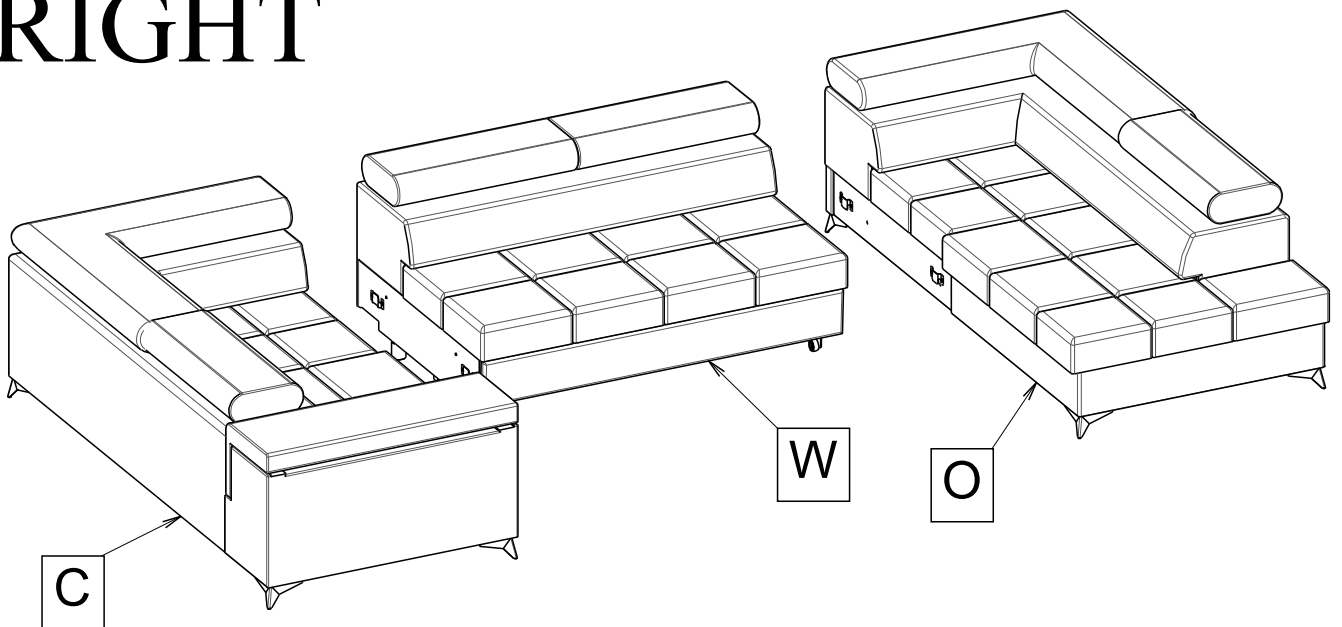


O	1x
W	1x
C	1x

# LEFT

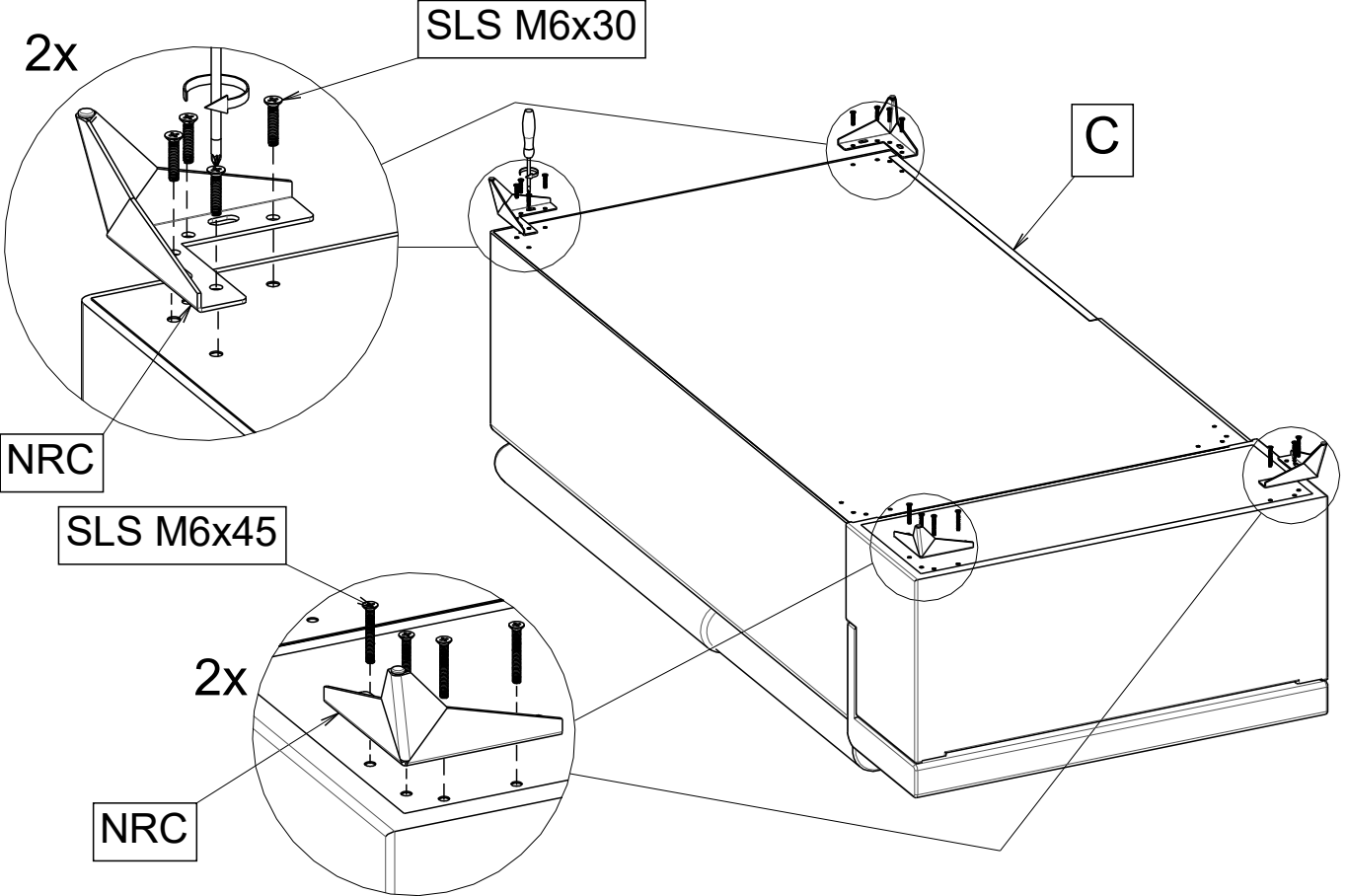
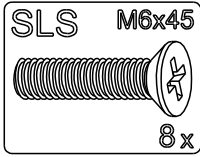
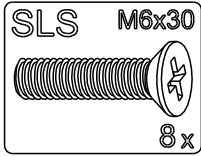
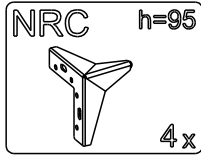


# RIGHT

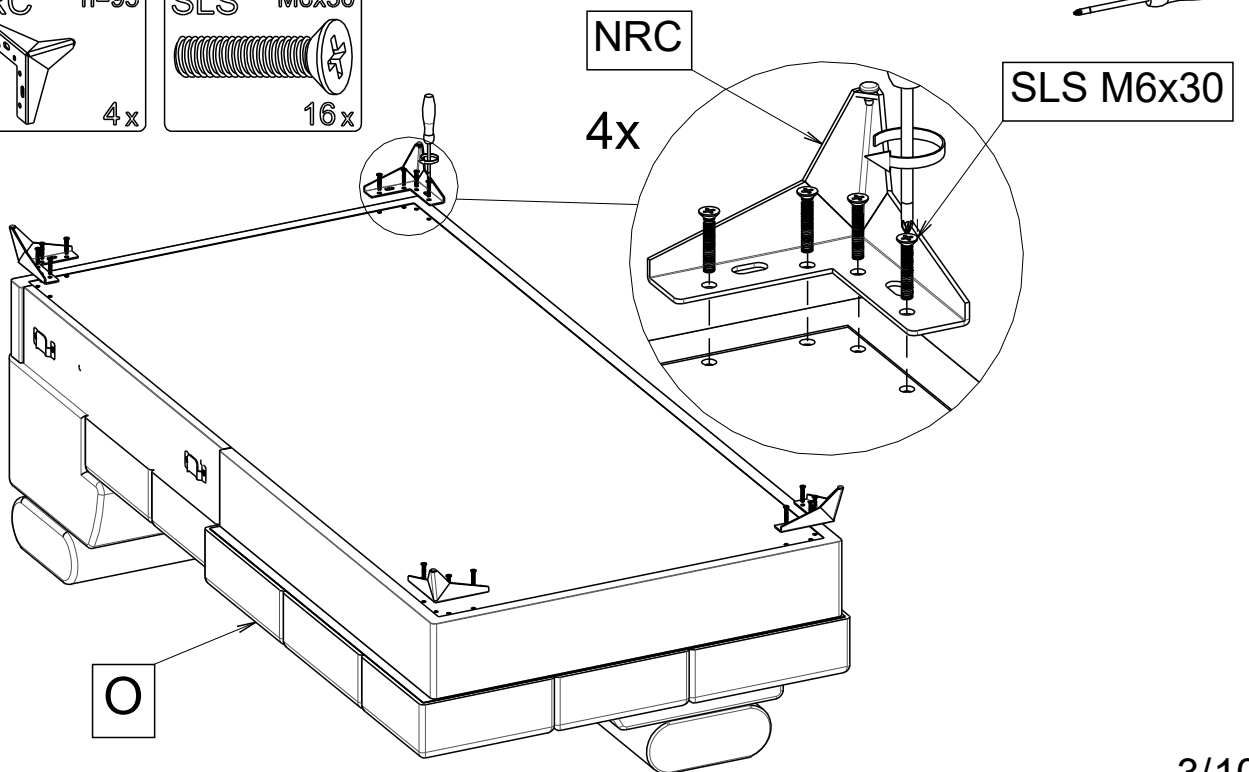
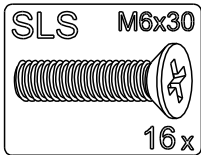
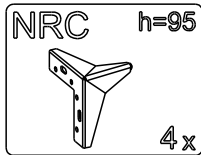


# LEFT

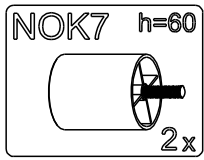
1



2

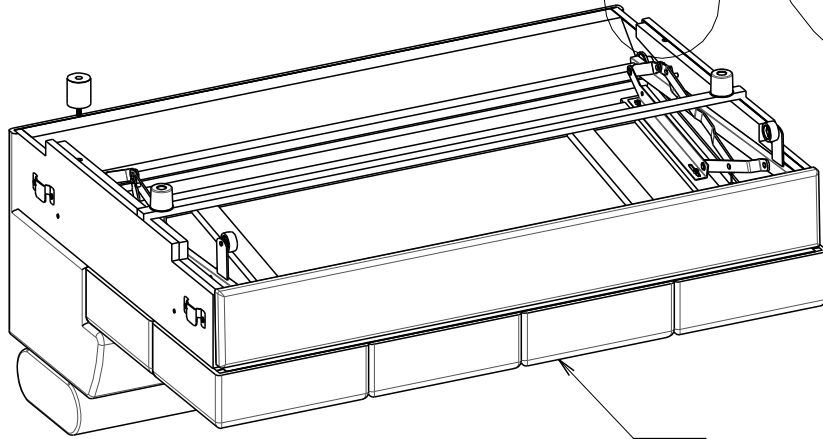
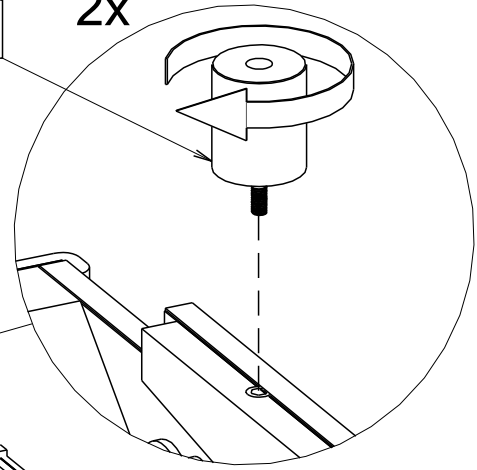


3



NOK7

2x

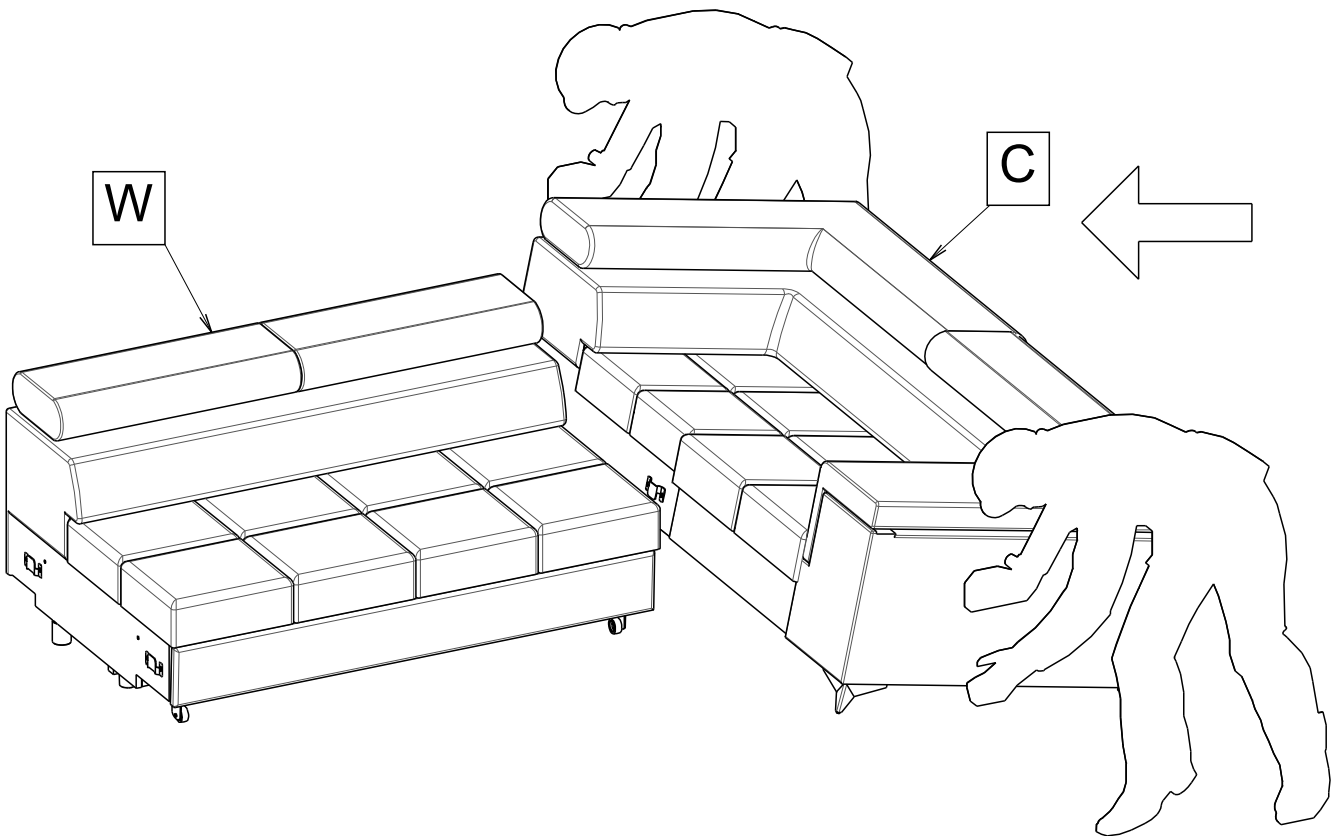
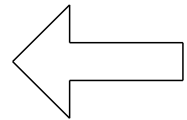


W

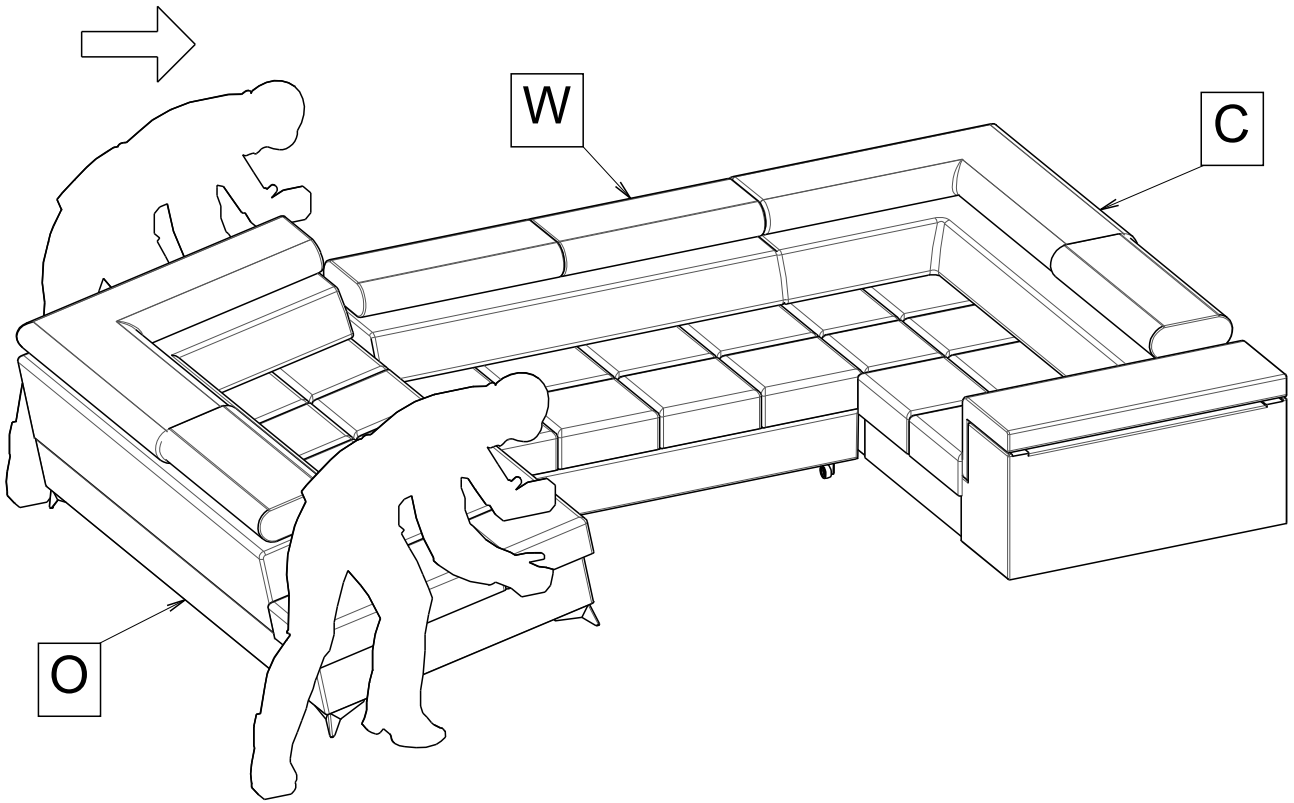
4

W

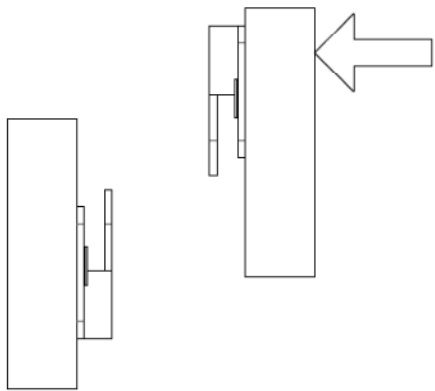
C



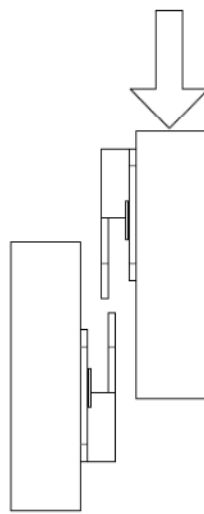
5



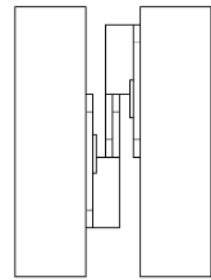
1)



2)

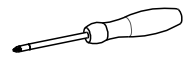
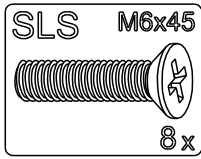
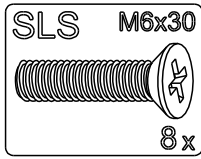
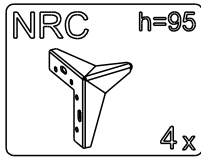


3)



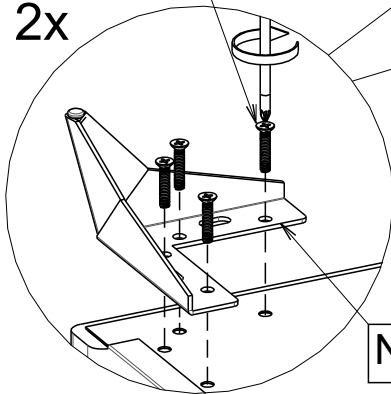
# RIGHT

1

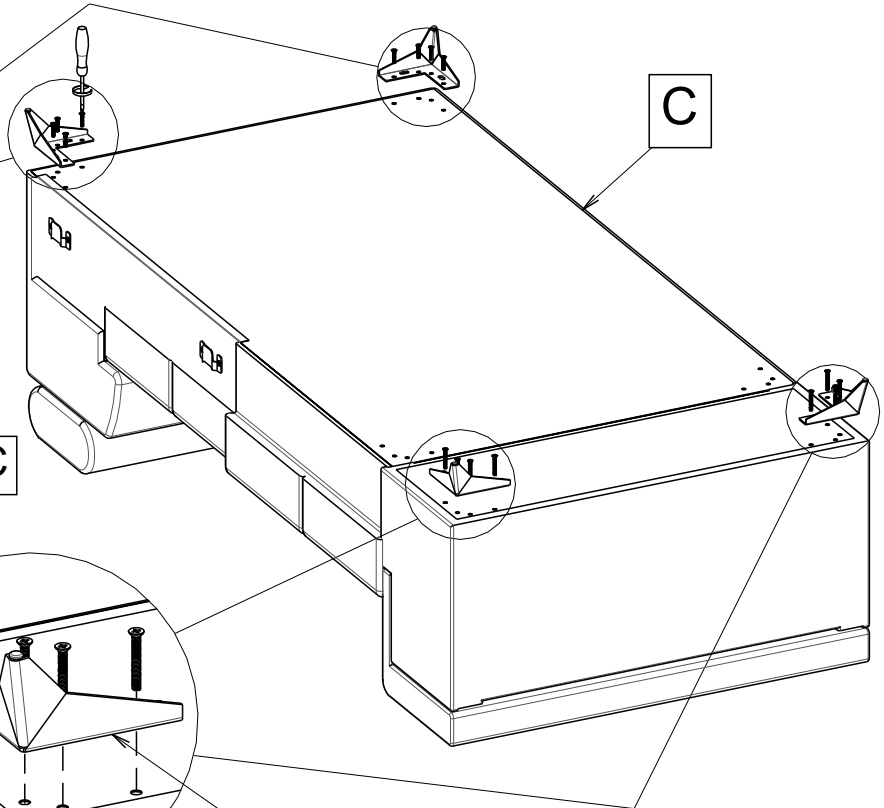


SLS M6x30

2x



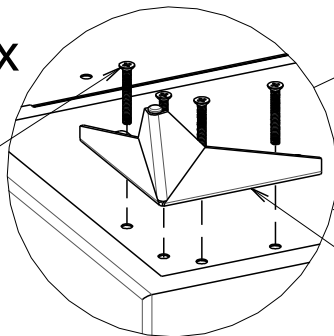
NRC



C

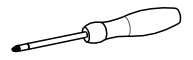
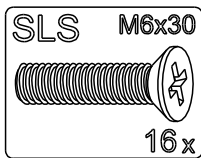
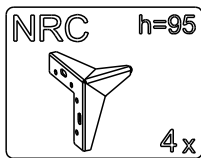
2x

SLS M6x45



NRC

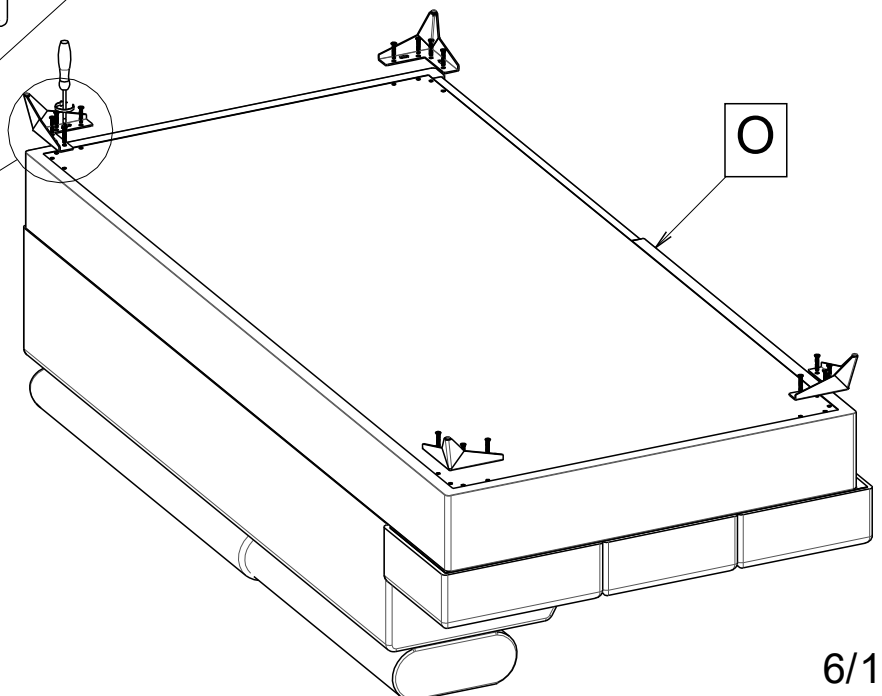
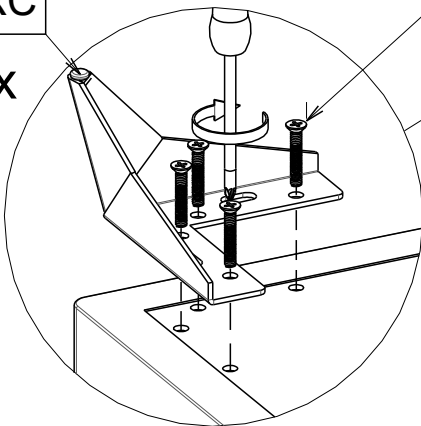
2



SLS M6x30

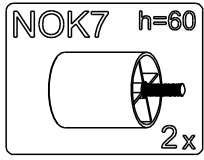
NRC

4x

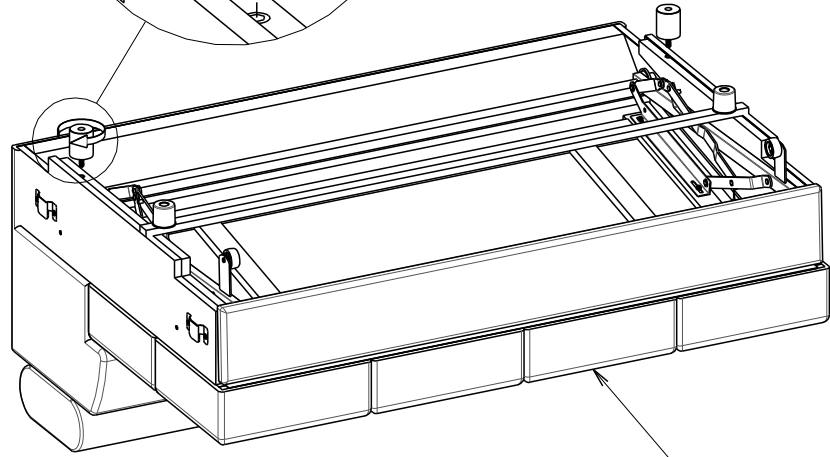
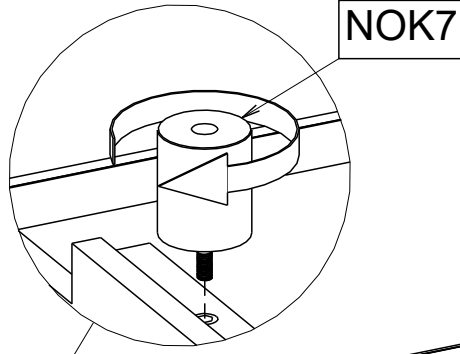


O

3

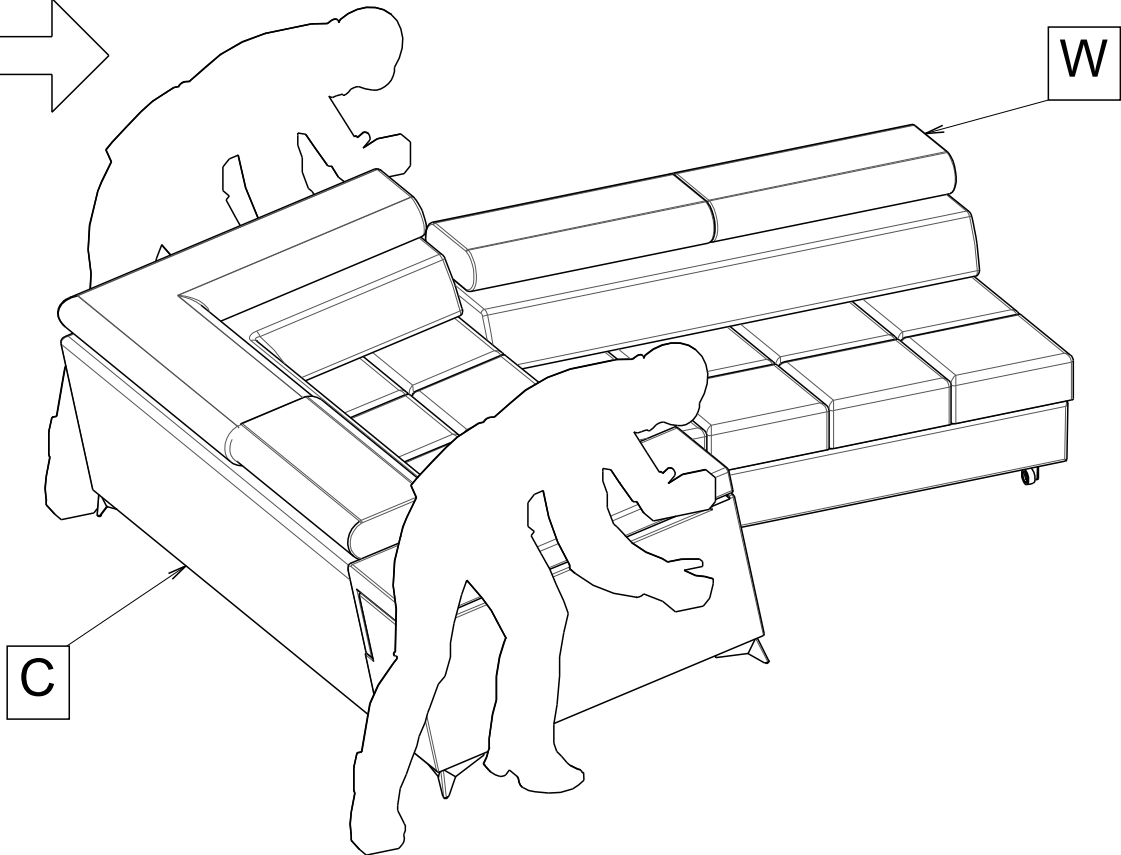
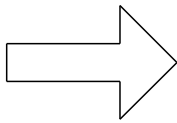


2x



W

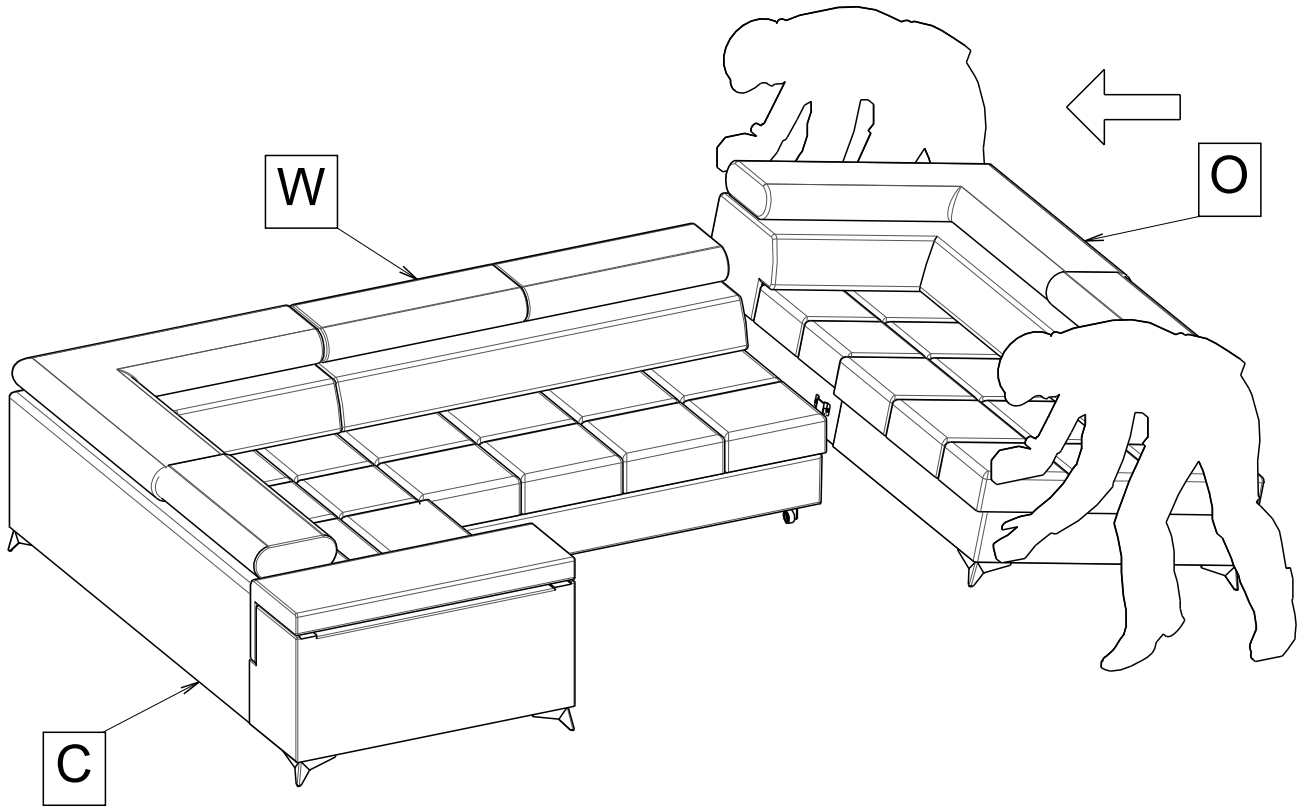
4



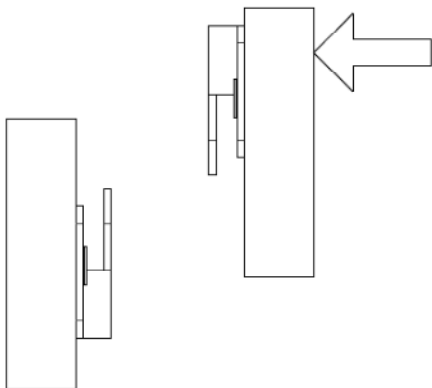
C

W

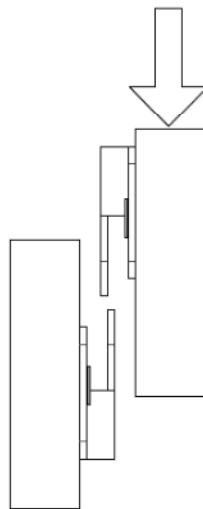
5



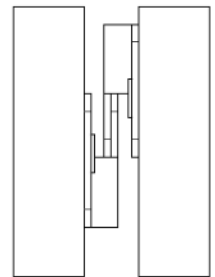
1)



2)

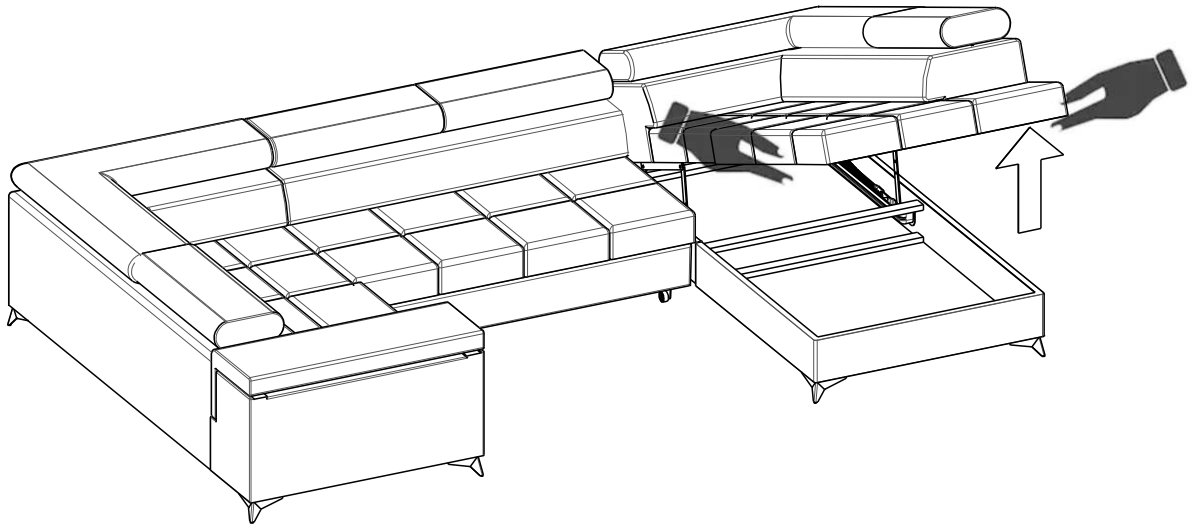


3)

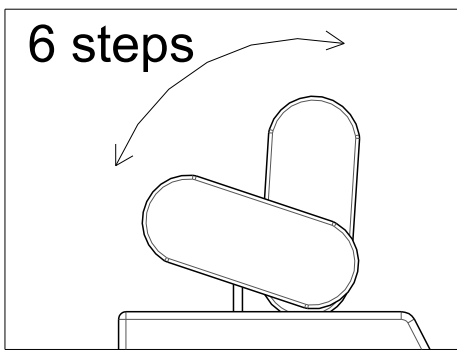
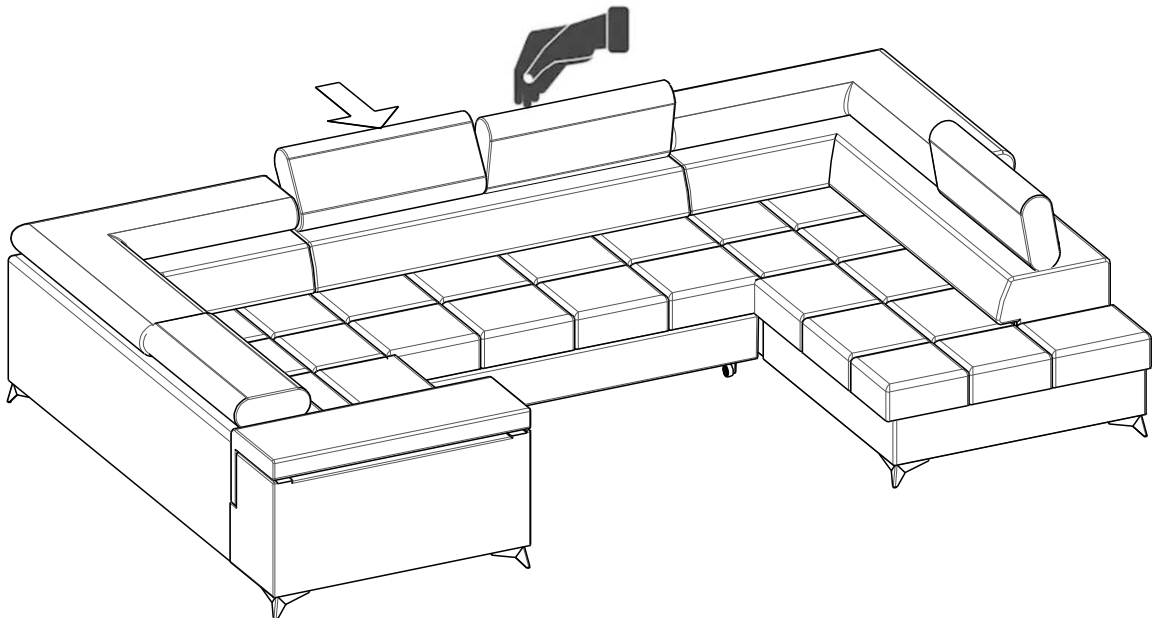




A

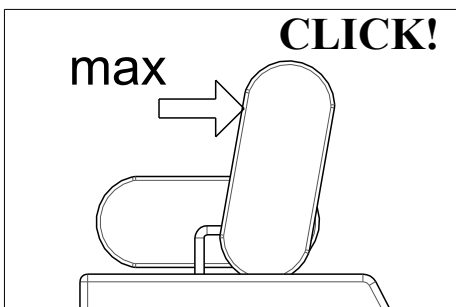


B

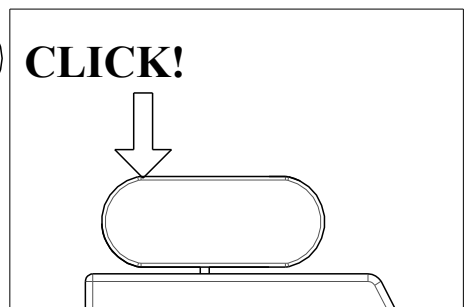


CLOSING

1



2



C

