
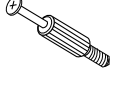

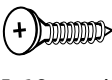
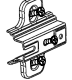


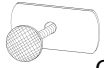



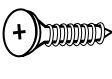

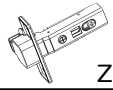


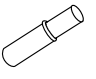
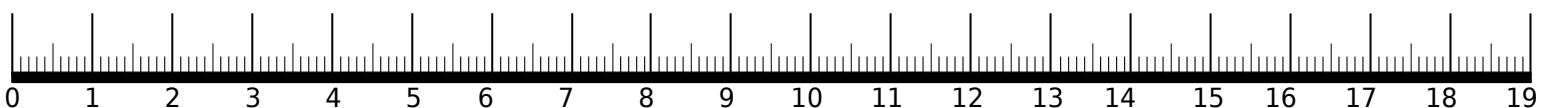
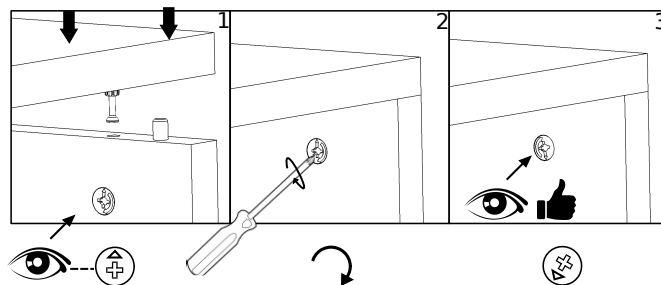
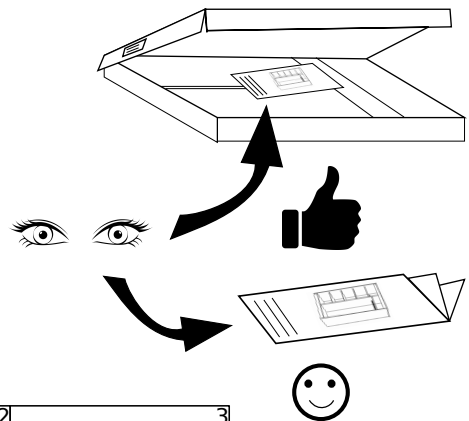
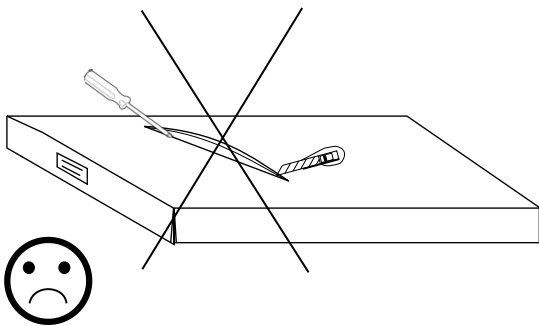
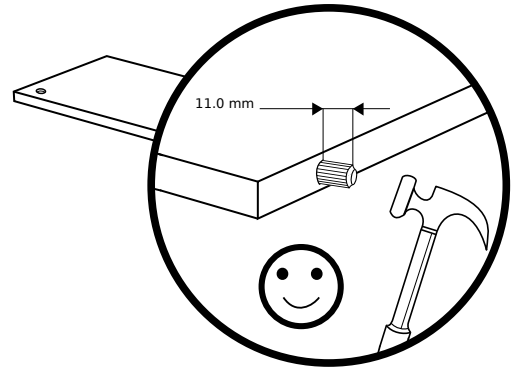
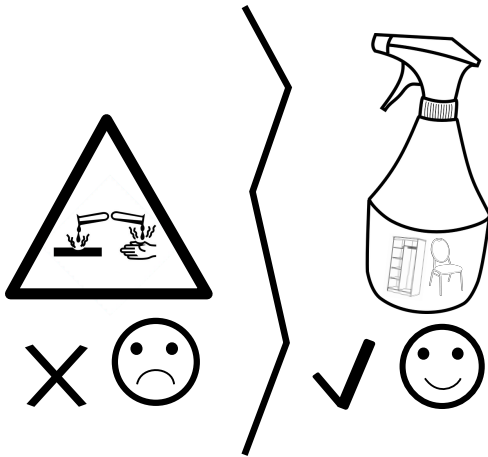
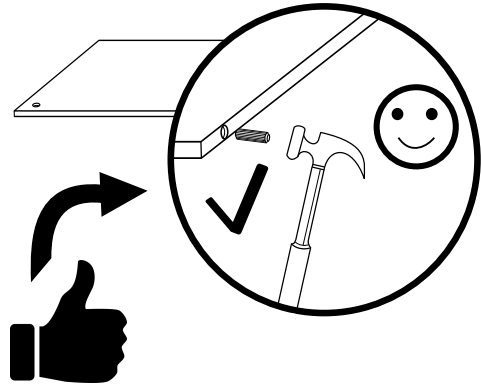
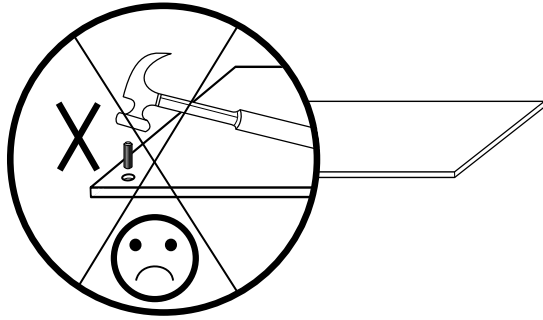
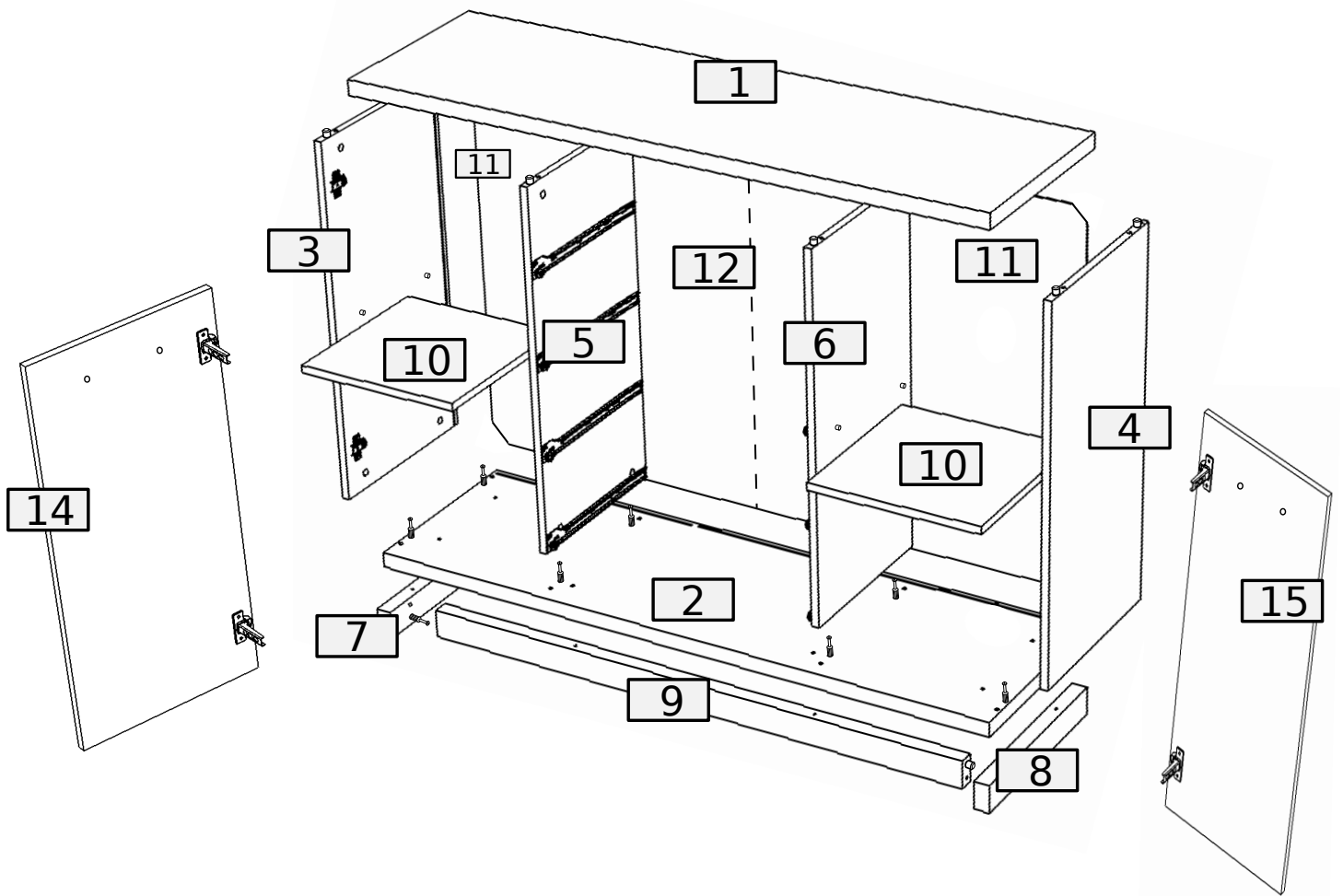
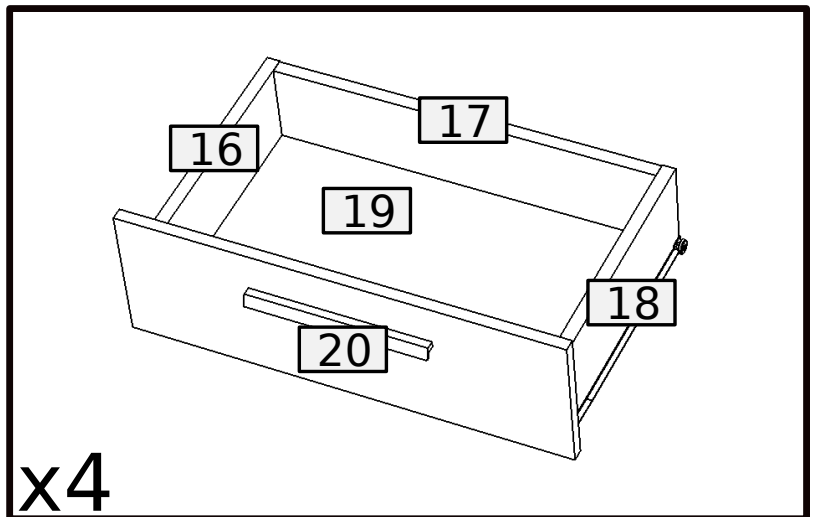


34	34	34	40	4	14	2	8	
								
B	A 8.0x35	D 3.5x16 W2	PZ	I 160	UI	G2		
								
X L-350	O 3.0x20 W1	3.5x25 W10	Z1	X3 224	UI	S3		
32	4	6	20	12	4	6	4	8

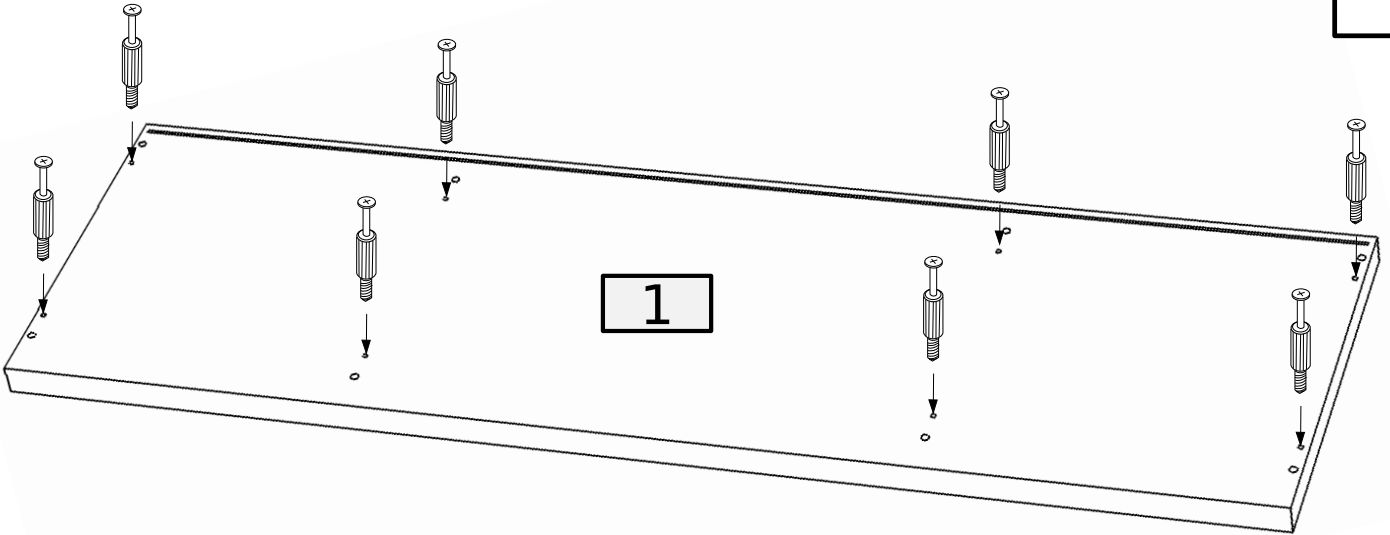
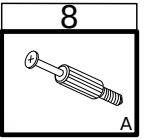




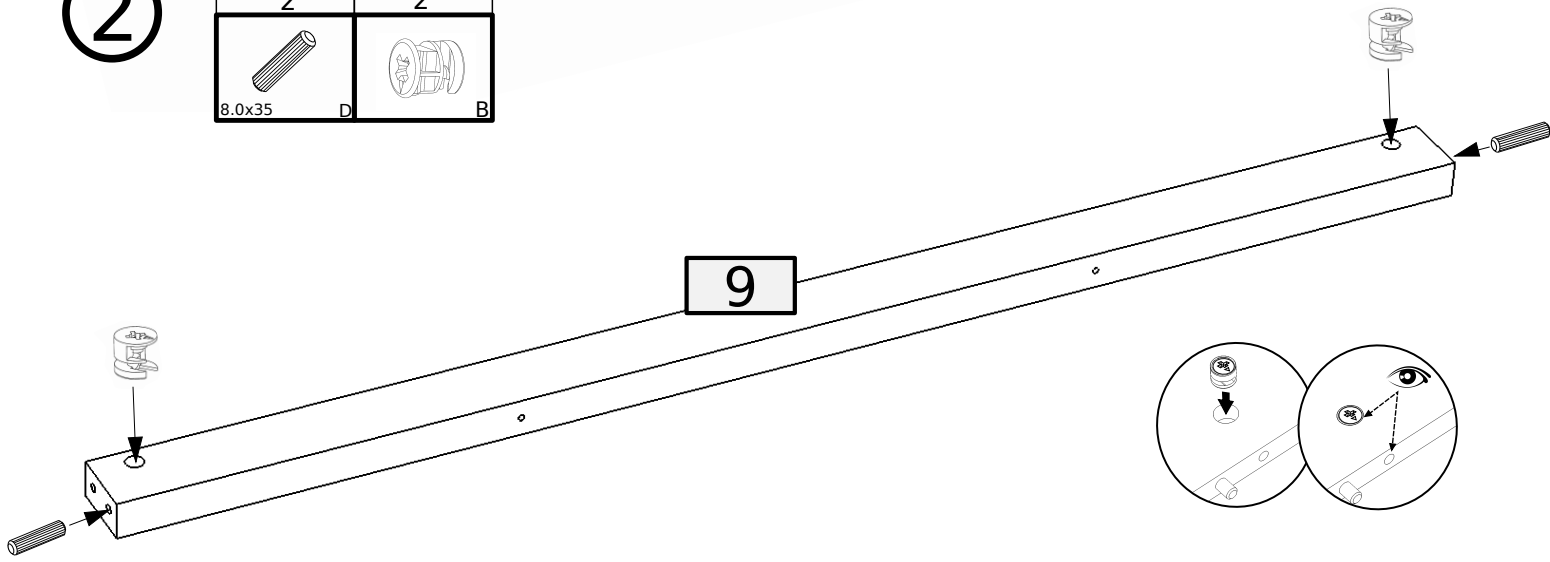
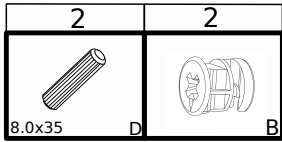
No.	Pcs.	L	W	D	Pac
1	1	1350	400	32	3/3
2	1	1350	400	32	3/3
3	1	770	380	16	1/3
4	1	770	380	16	1/3
5	1	770	360	16	1/3
6	1	770	360	16	1/3
7	1	398	60	32	3/3
8	1	398	60	32	3/3
9	1	1186	60	32	3/3
10	2	349	349	16	1/3
11	2	784	365	3	1/3
12	1	784	602	3	1/3
13					
14	1	764	370	16	2/3
15	1	764	370	16	2/3
16	4	350	130	16	2/3
17	4	529	110	16	2/3
18	4	350	130	16	2/3
19	4	357	544	3	2/3
20	4	600	188	16	2/3



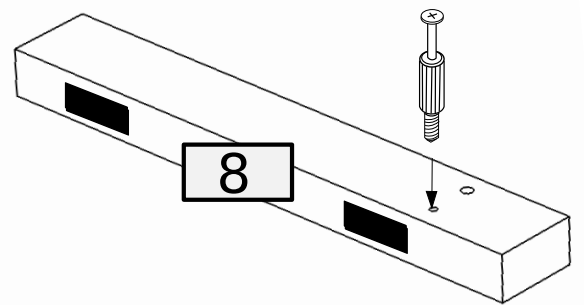
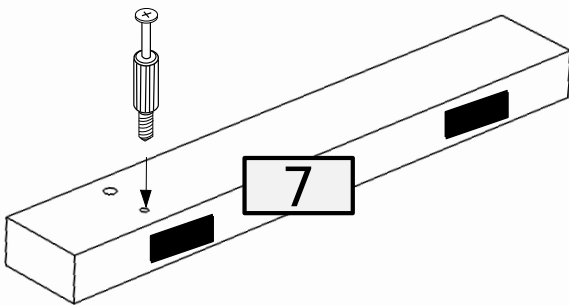
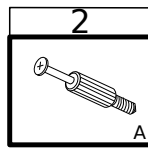
1







2

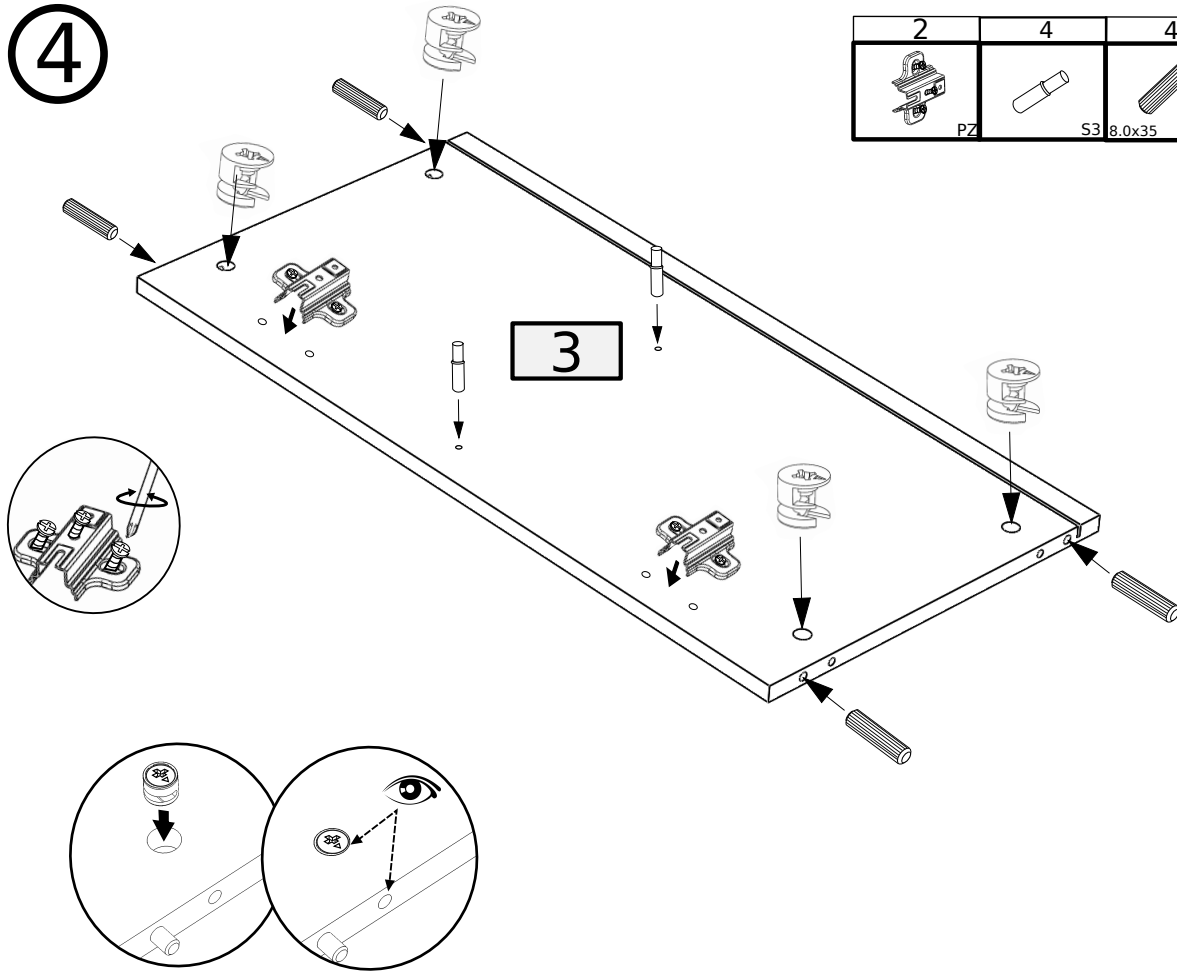


3







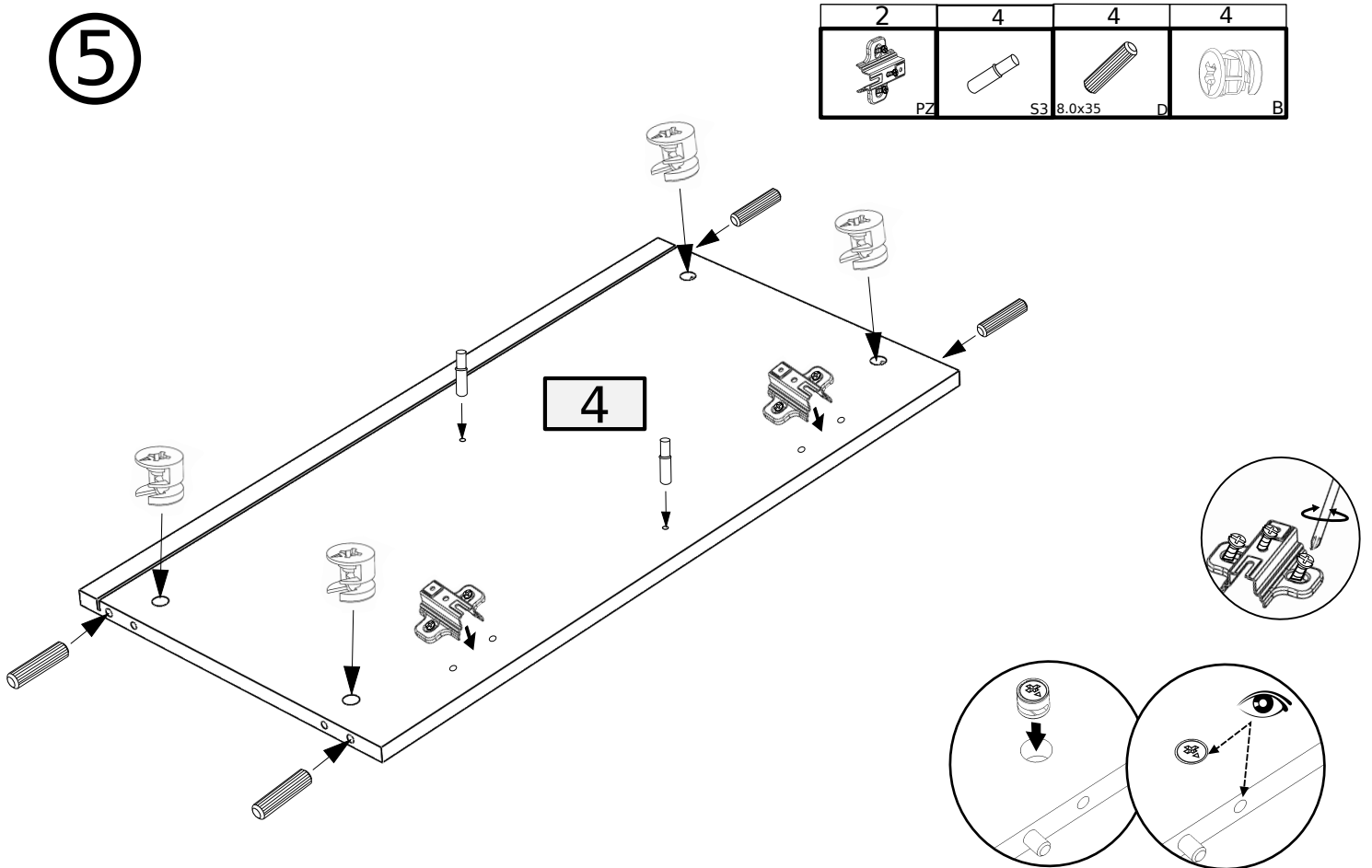
4

2	4	4	4
			
PZ	S3	8.0x35	D B






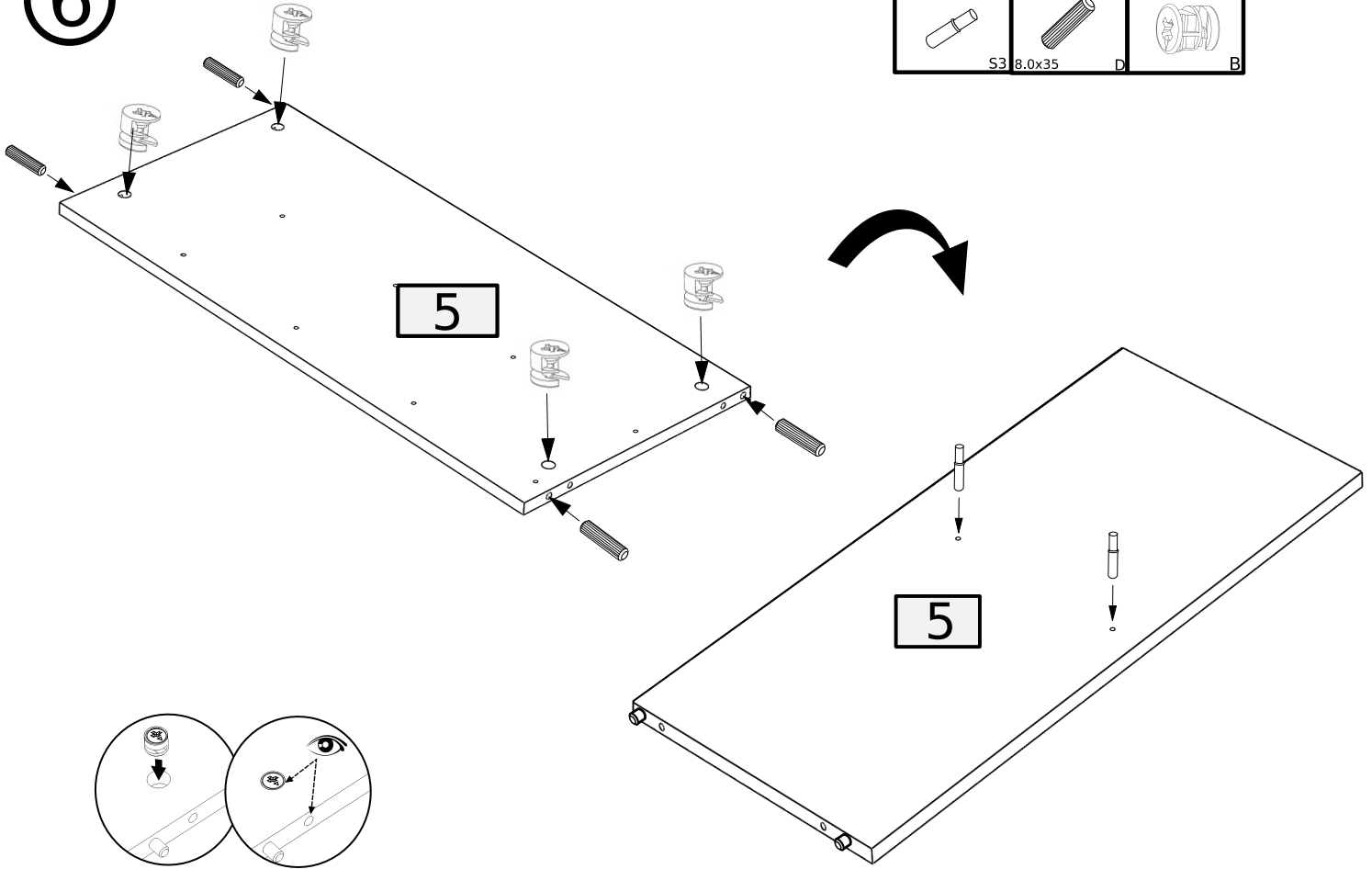
5

2	4	4	4
			
PZ	S3	8.0x35	D B






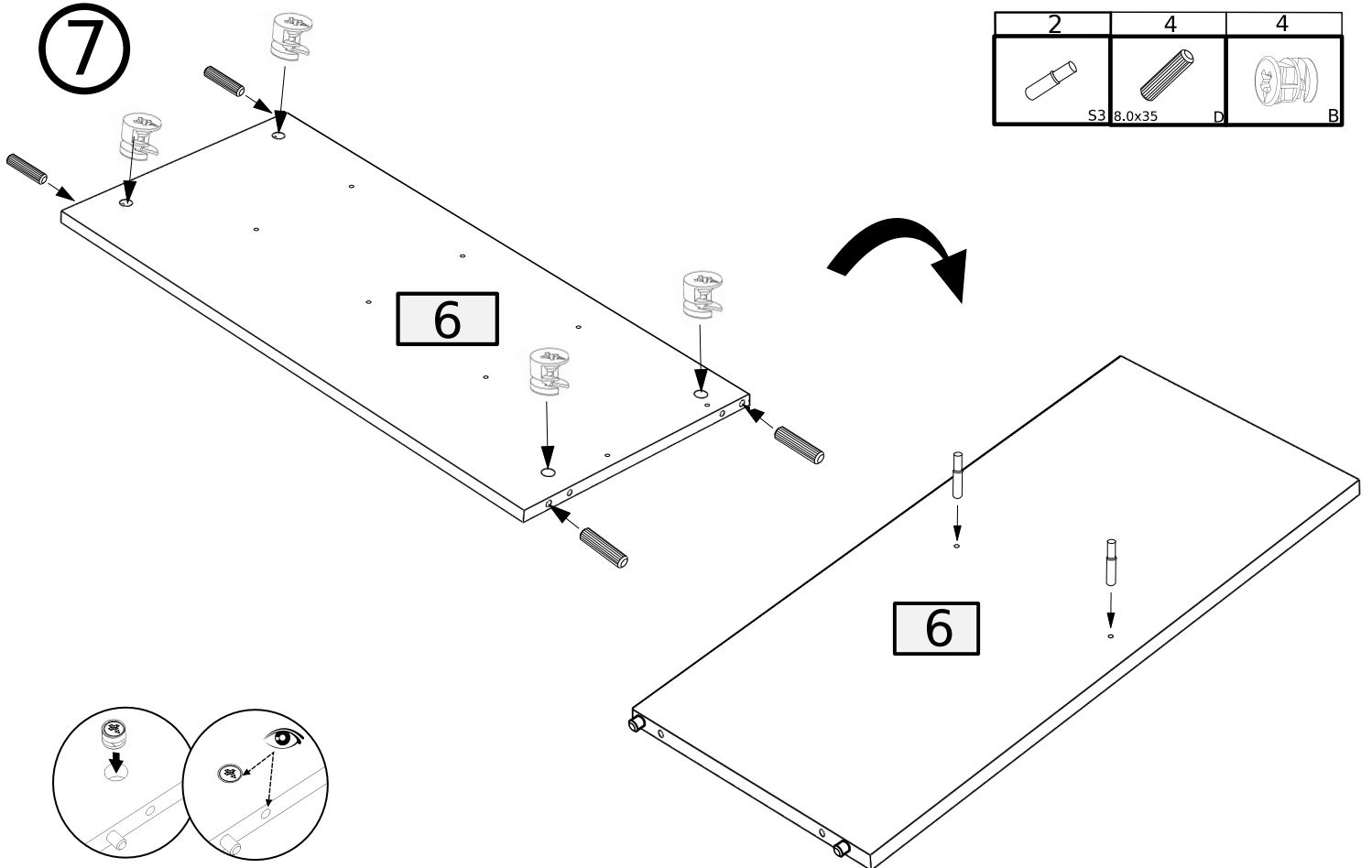
6

2	4	4
		
S3	8.0x35	D
		B


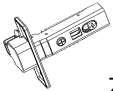


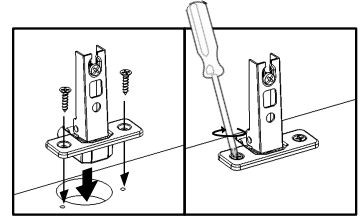
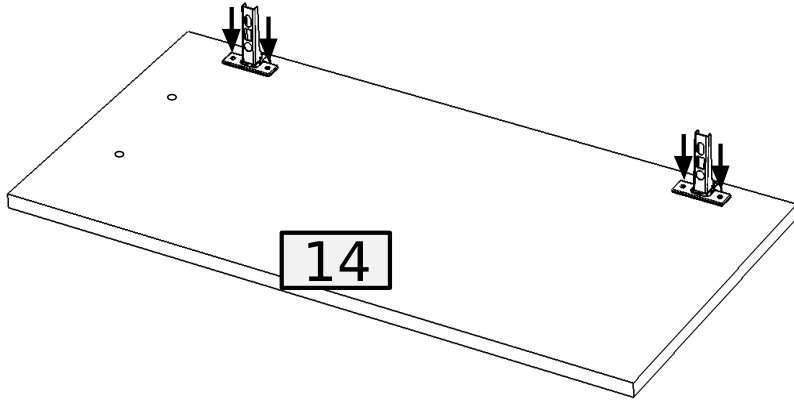
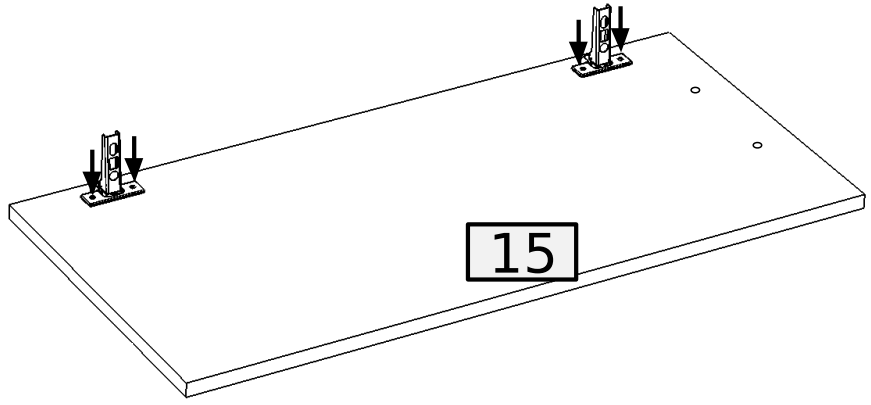
7

2	4	4
		
S3	8.0x35	D
		B

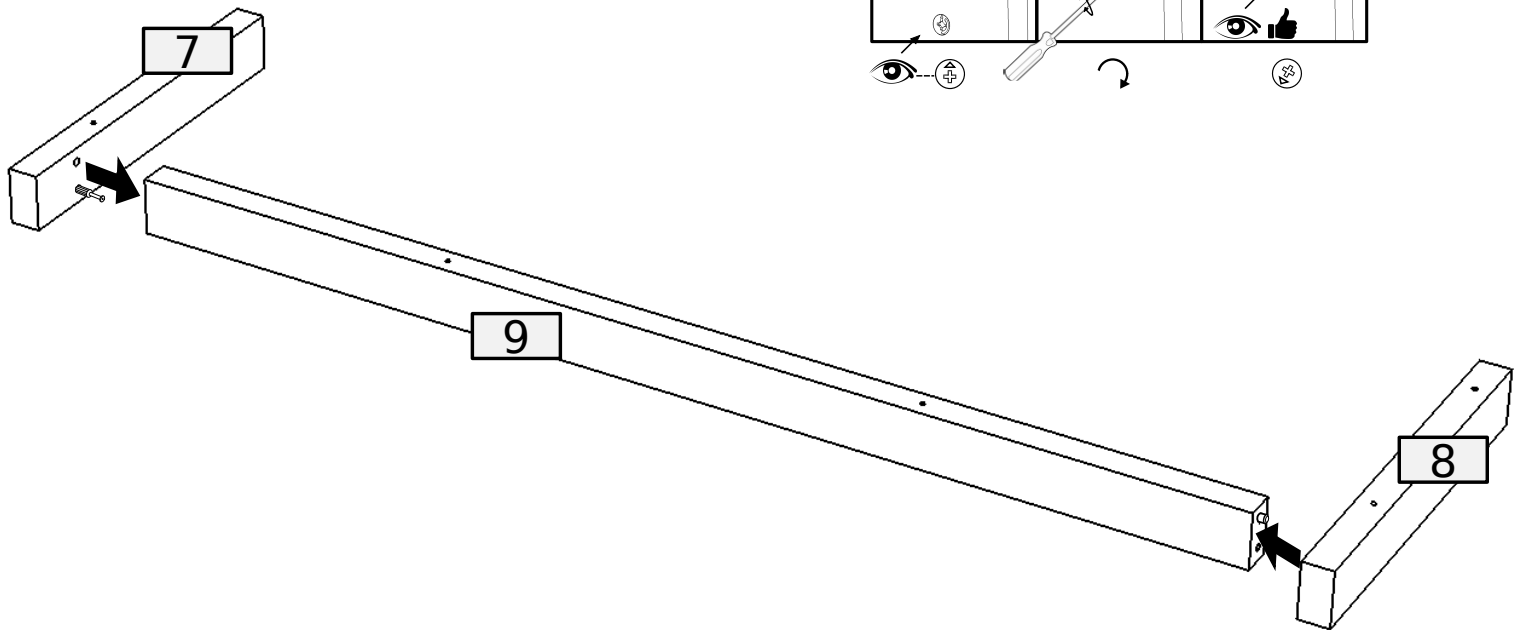
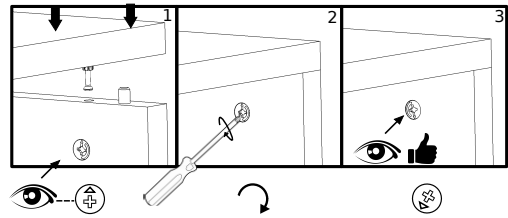


8

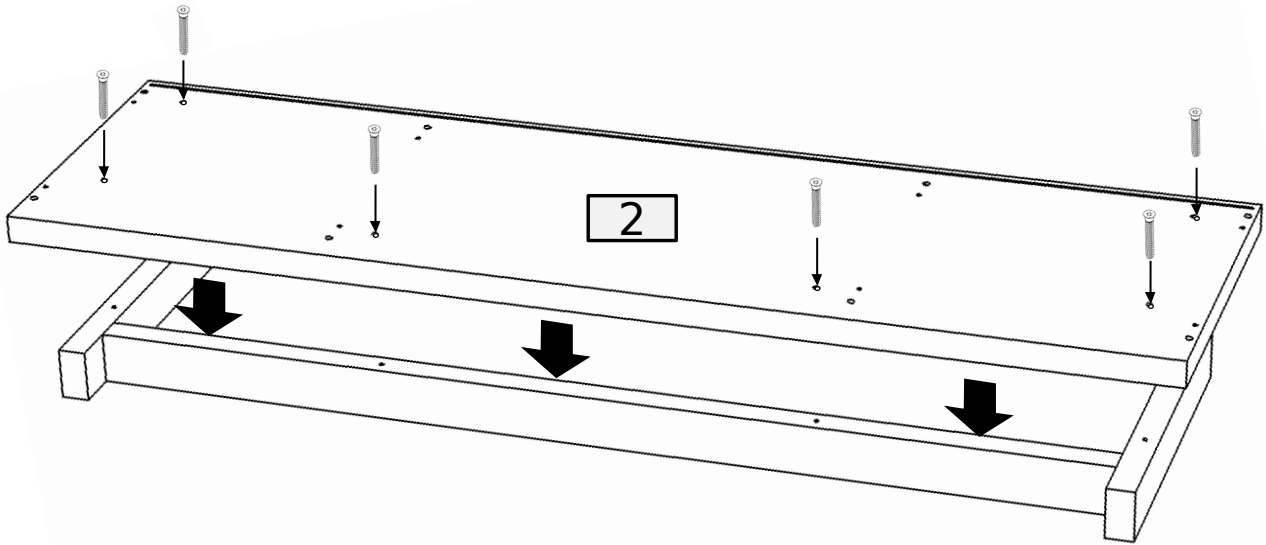
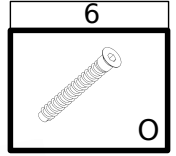
	
3.5x16 W2	Z1
8	4



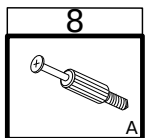
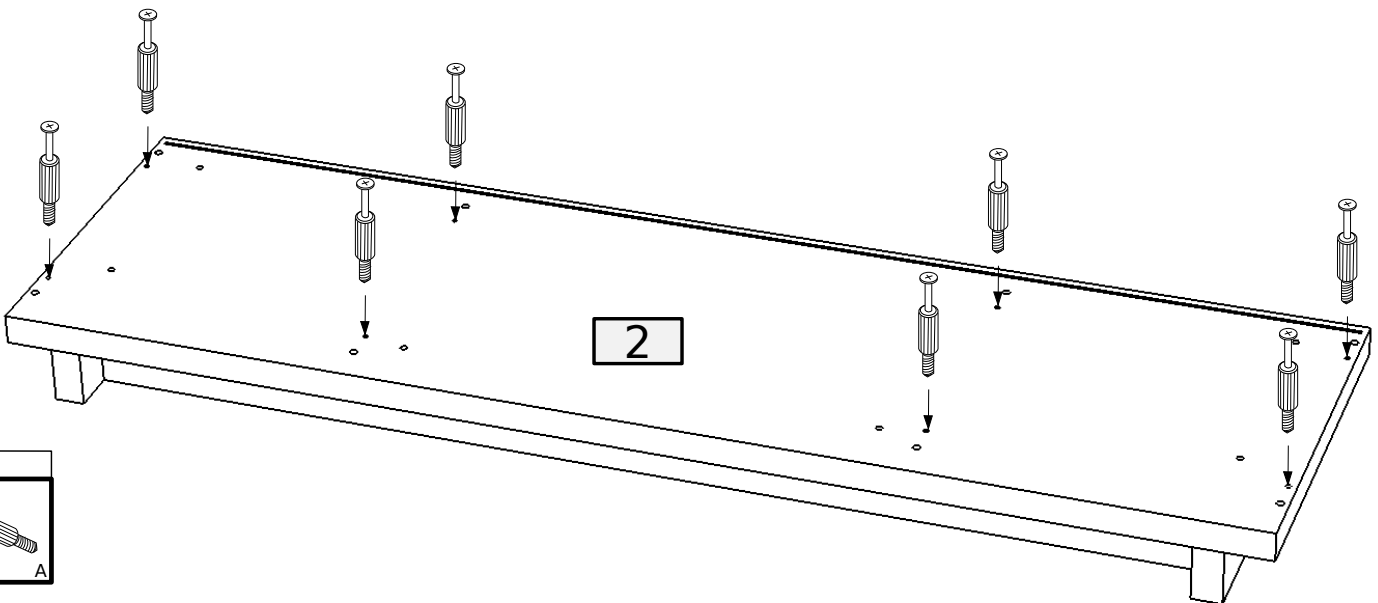
9



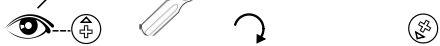
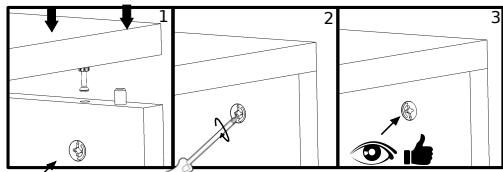
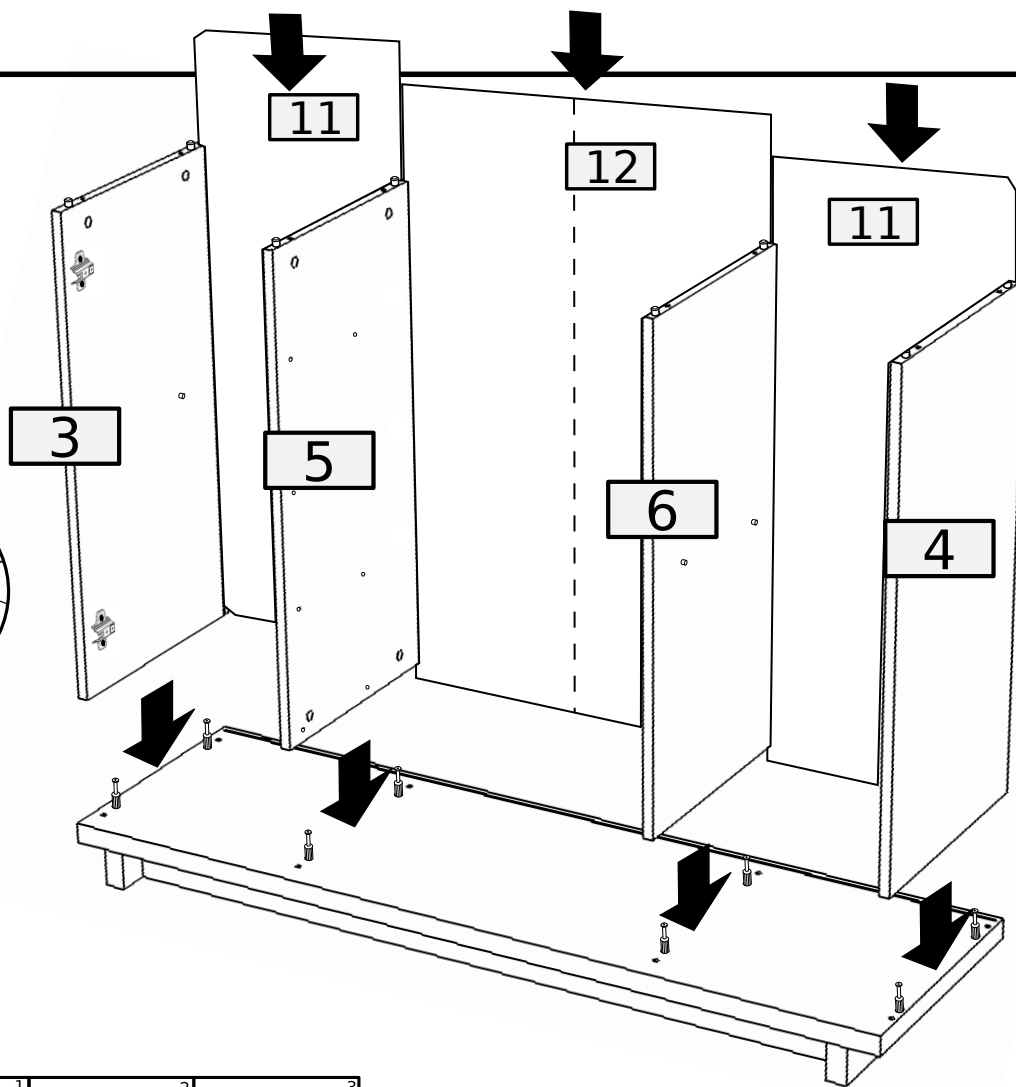
10



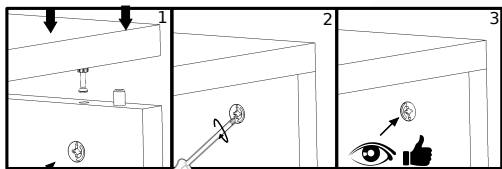
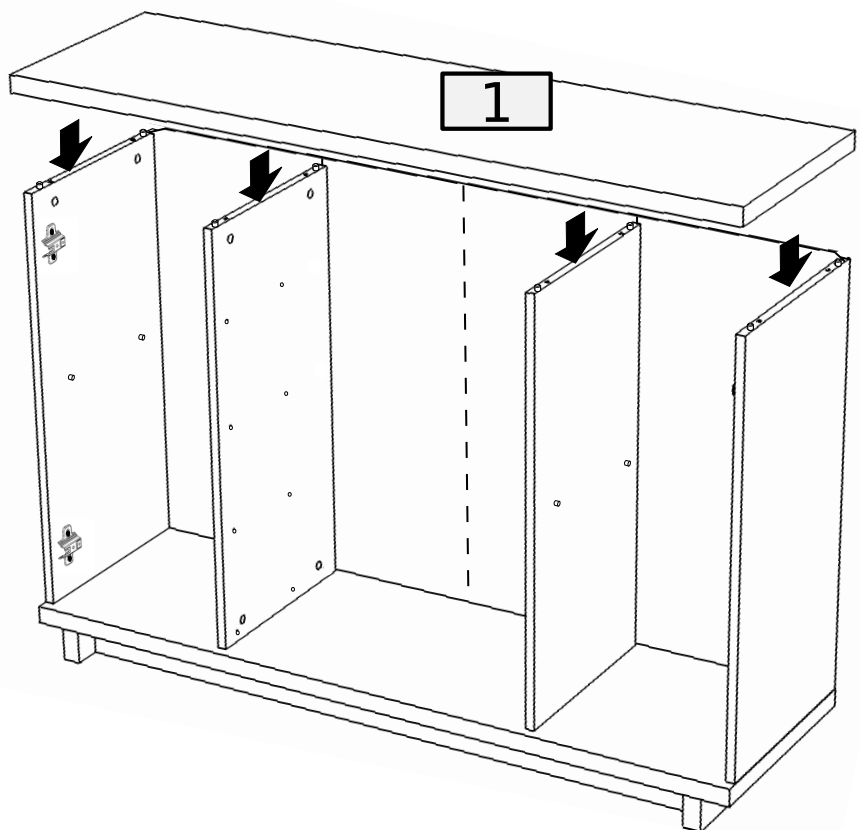
11



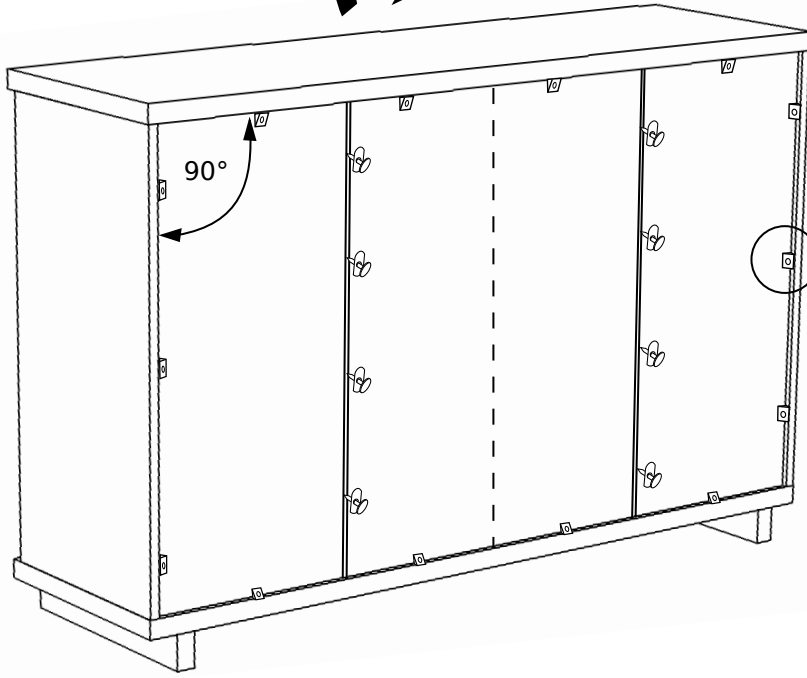
12



13



14

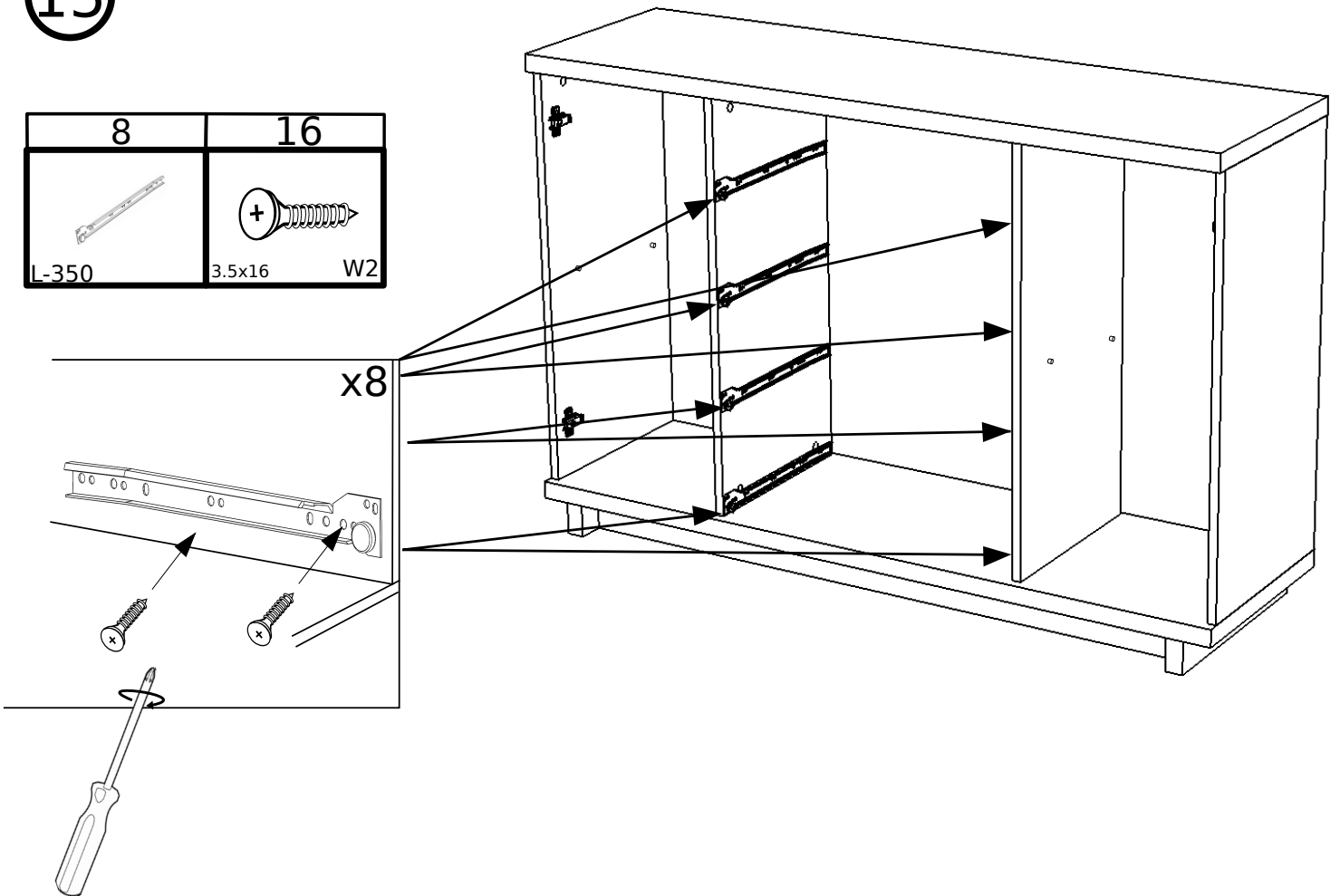


14	8
	G2

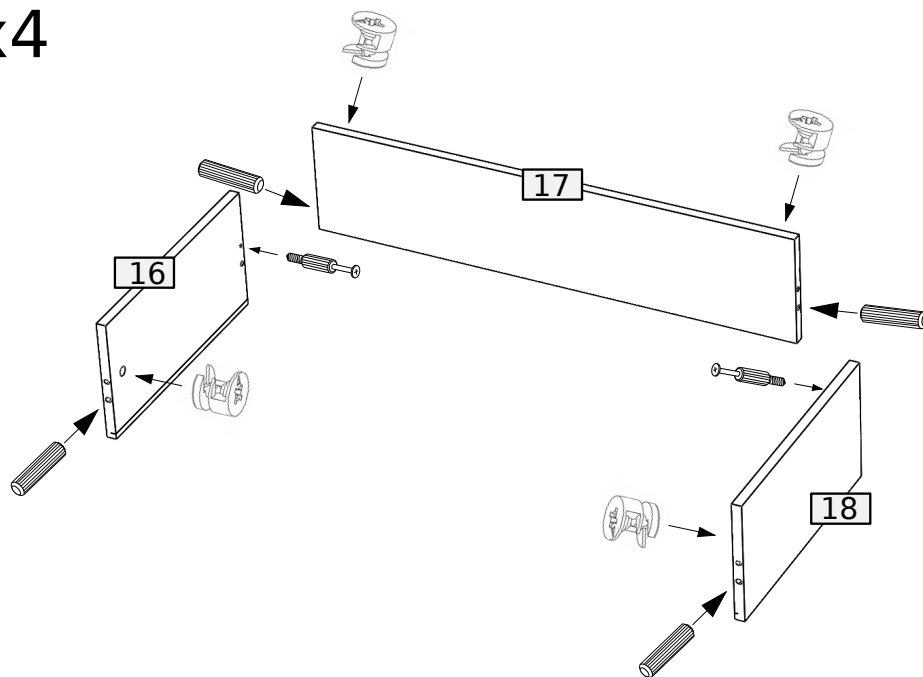
15

8	16
L-350	3.5x16 W2

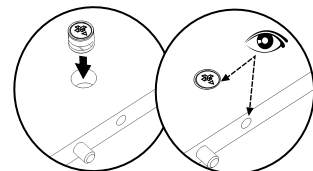
x8



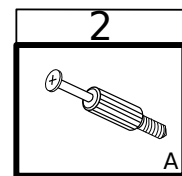
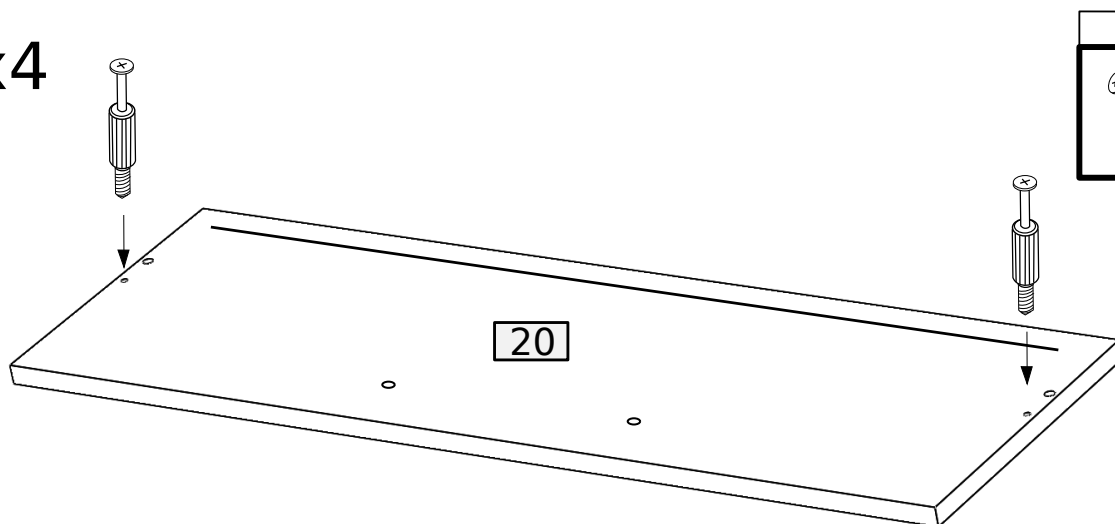
16 x4



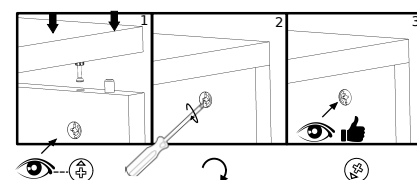
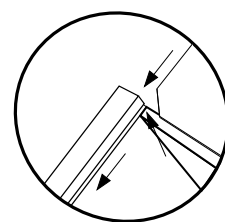
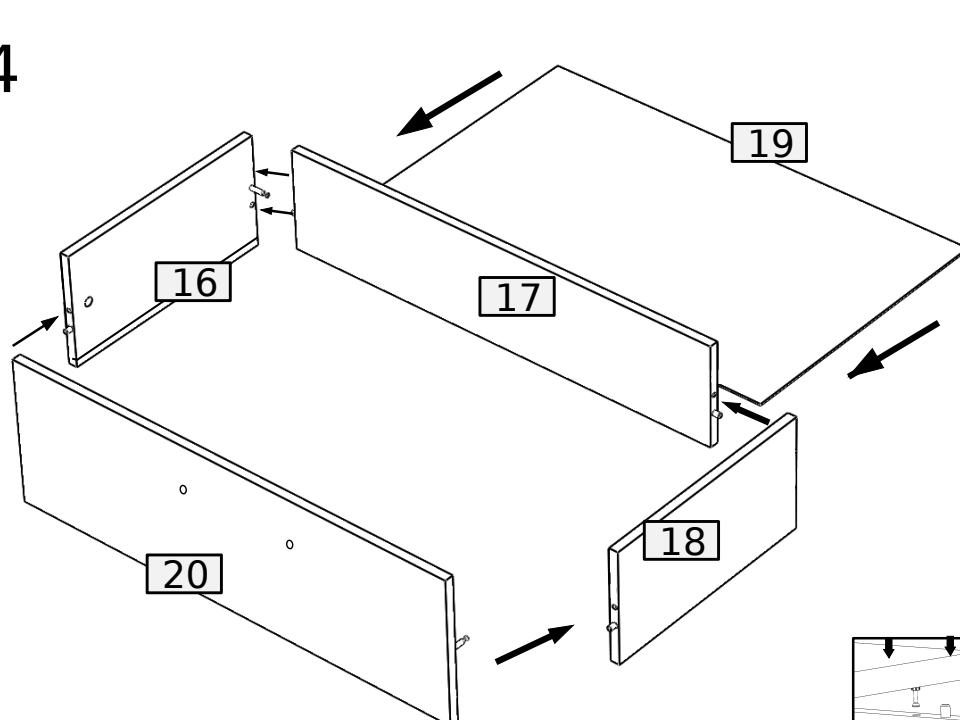
2	4	4
A	B.0x35	D



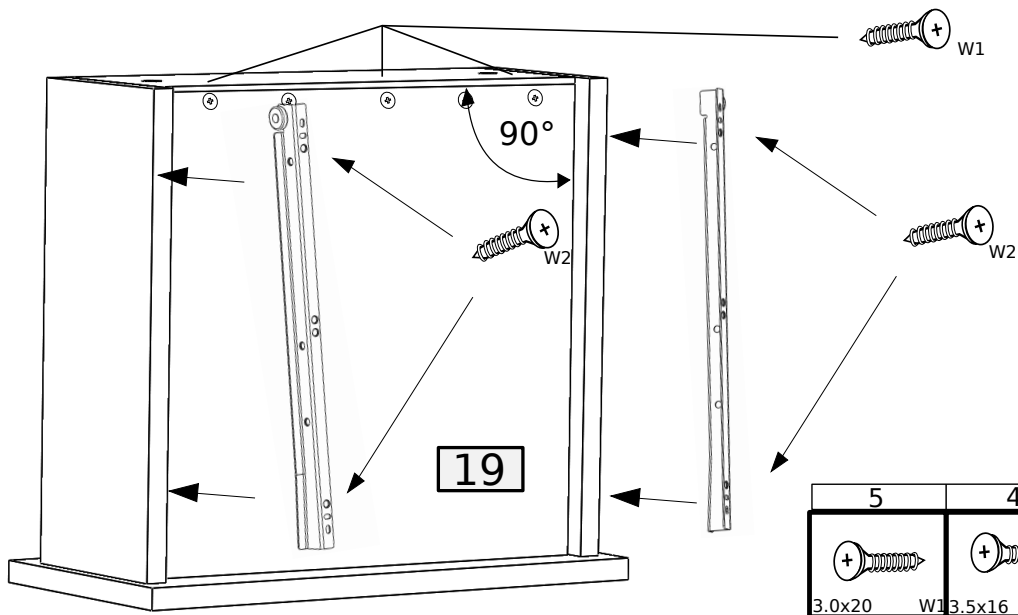
17 x4



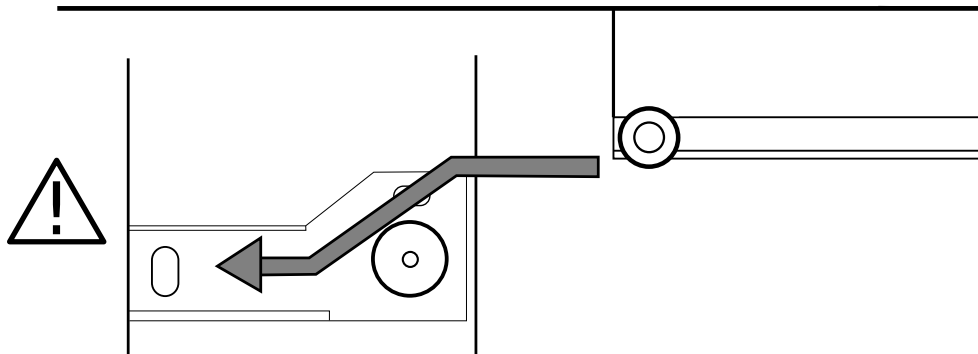
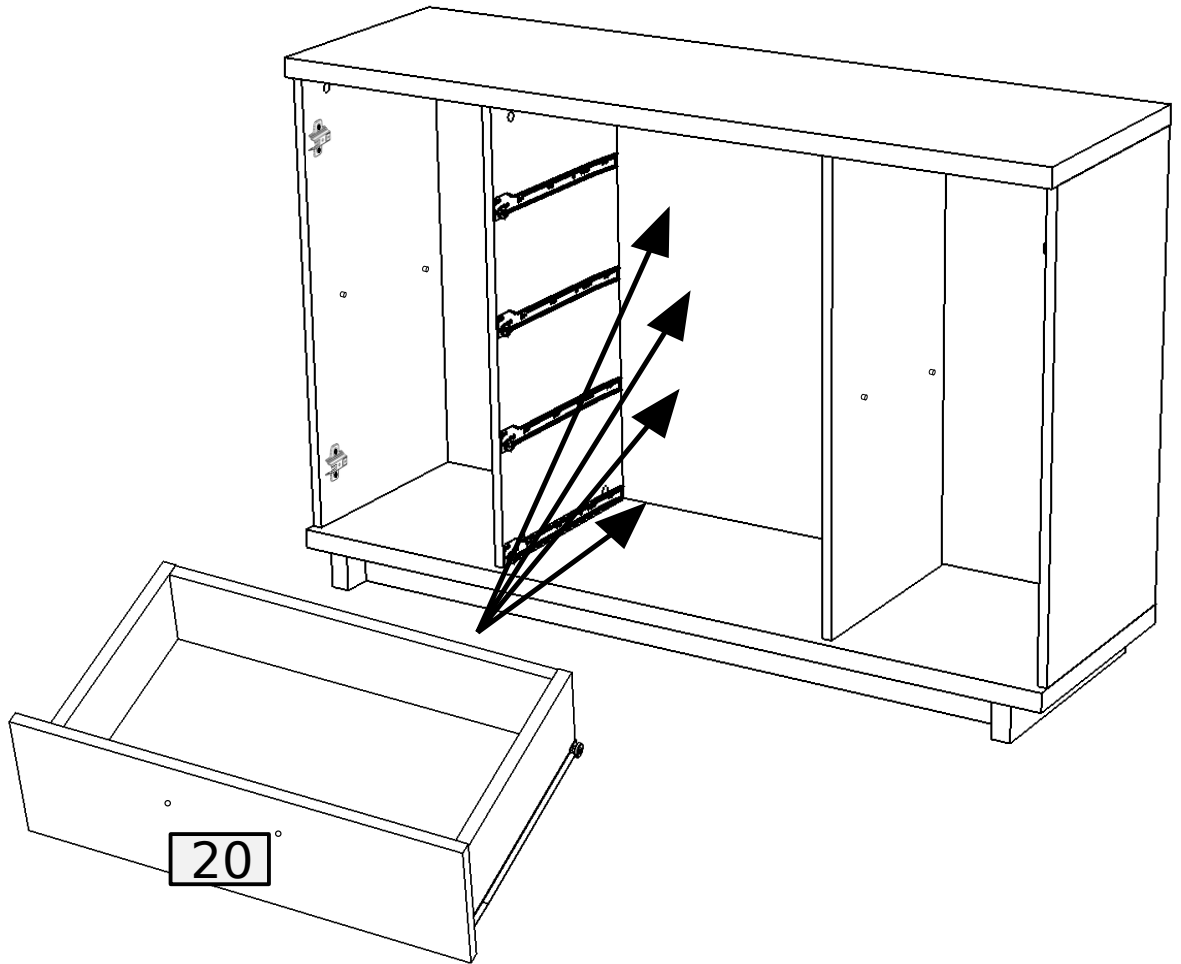
18 x4



19 x4



20



21

