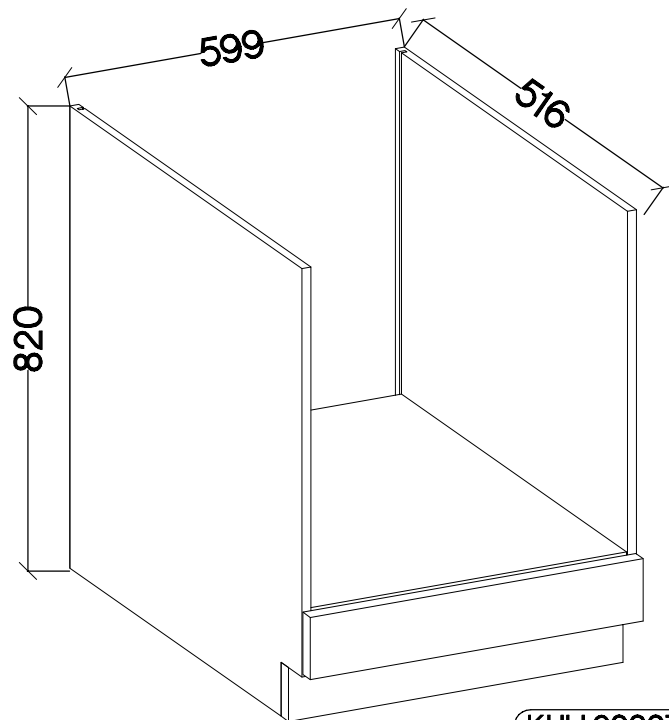
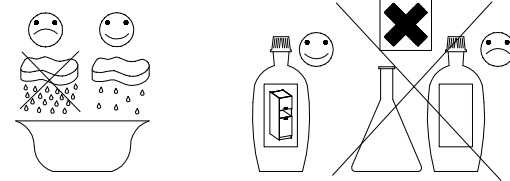
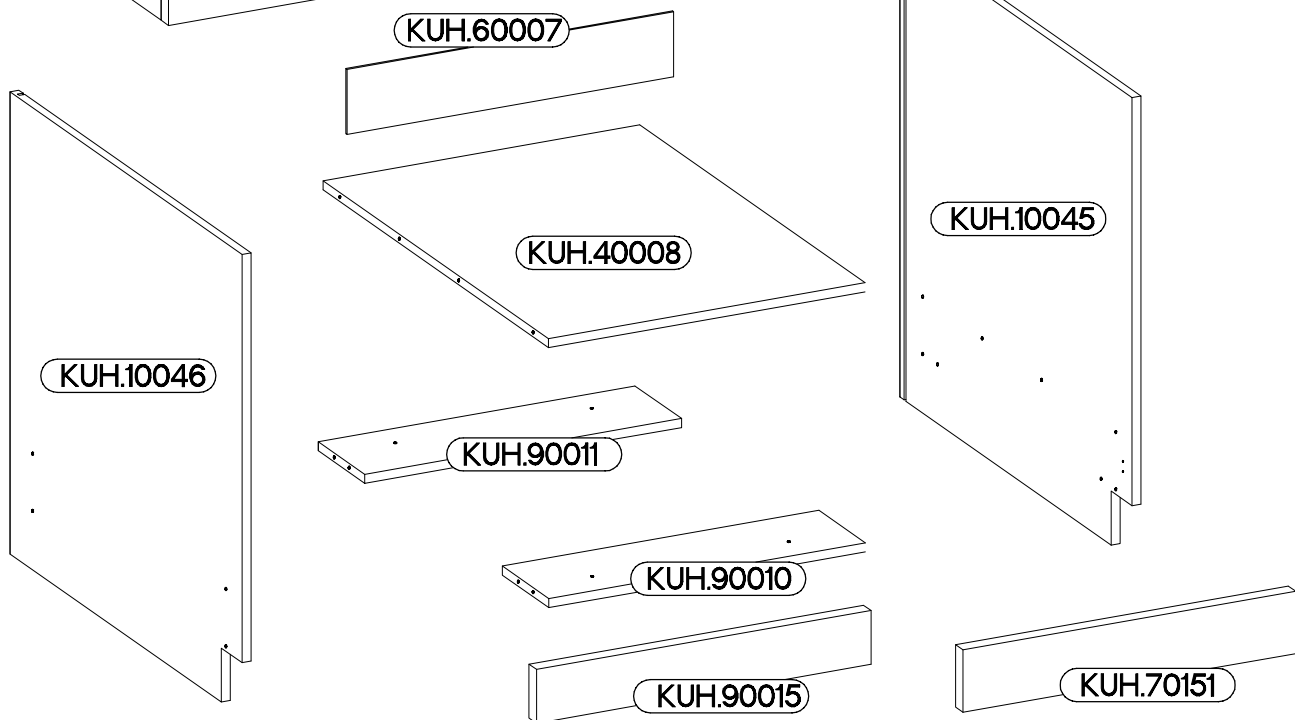
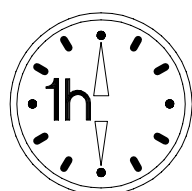


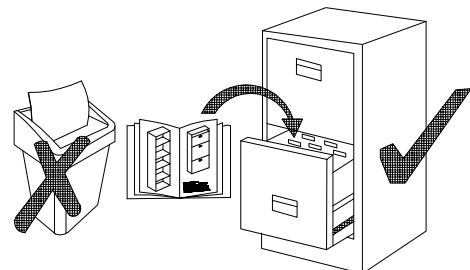
60 D GAZ BB



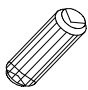
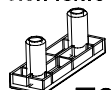


KUH.40008

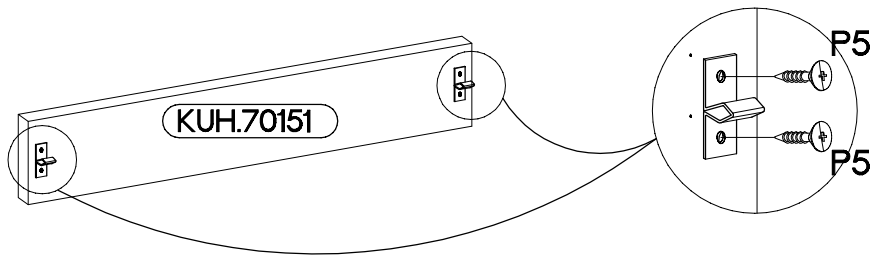
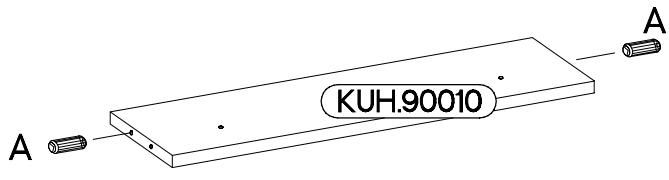
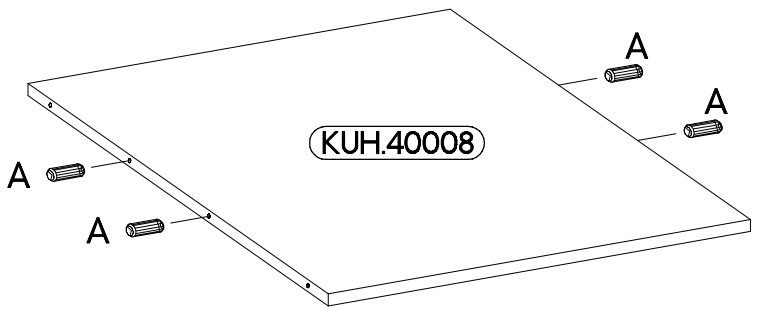
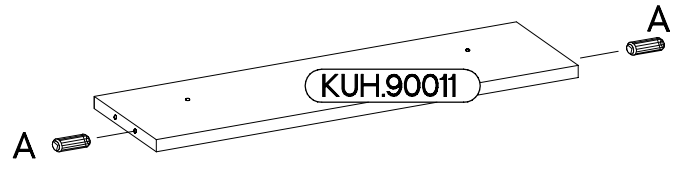
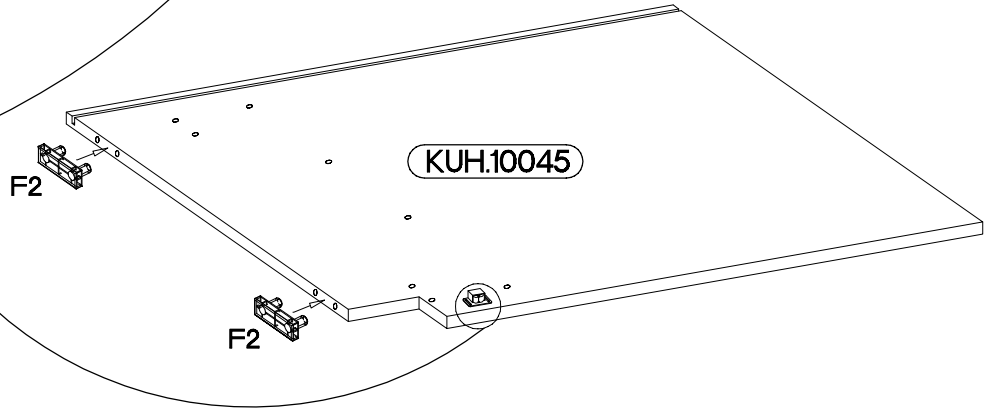
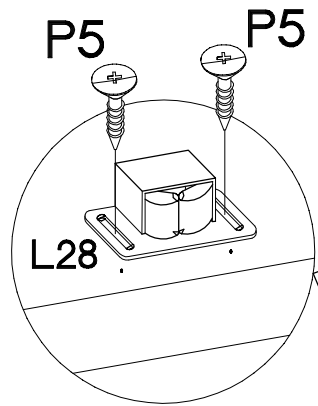
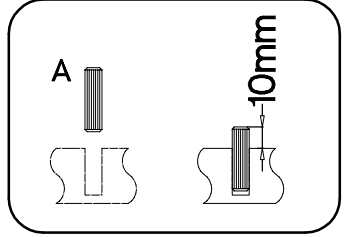
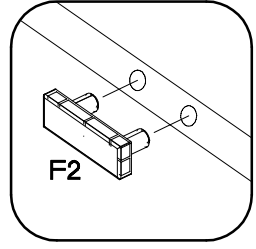
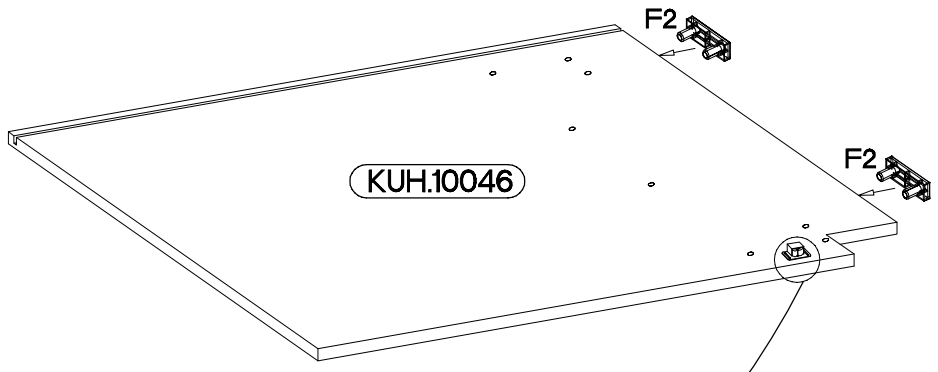
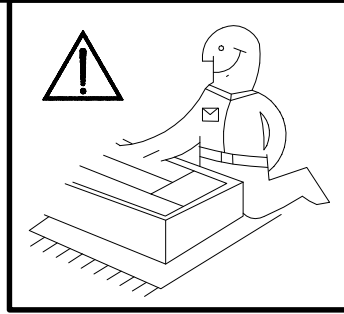


±8x30mm A 8	6,4 x 50mm B 8	 E1 8	 E9 2	6.5x48x16 F2 4
 L28 2	 O 0	±4.0x45mm P4 2	±3.5x13mm P5 8	±3.0x20mm P7 8-10



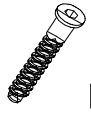
ISM-KUH-00942

±8x30mm  A 8	6.5x48x16  F2 4	 L28 2	±3.5x13mm  P5 8
---	--	--	--



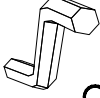
2

6,4 x 50mm



B

2



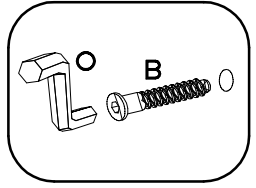
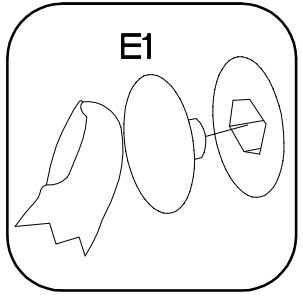
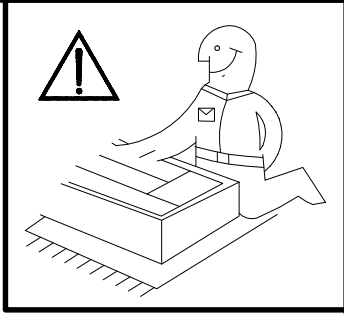
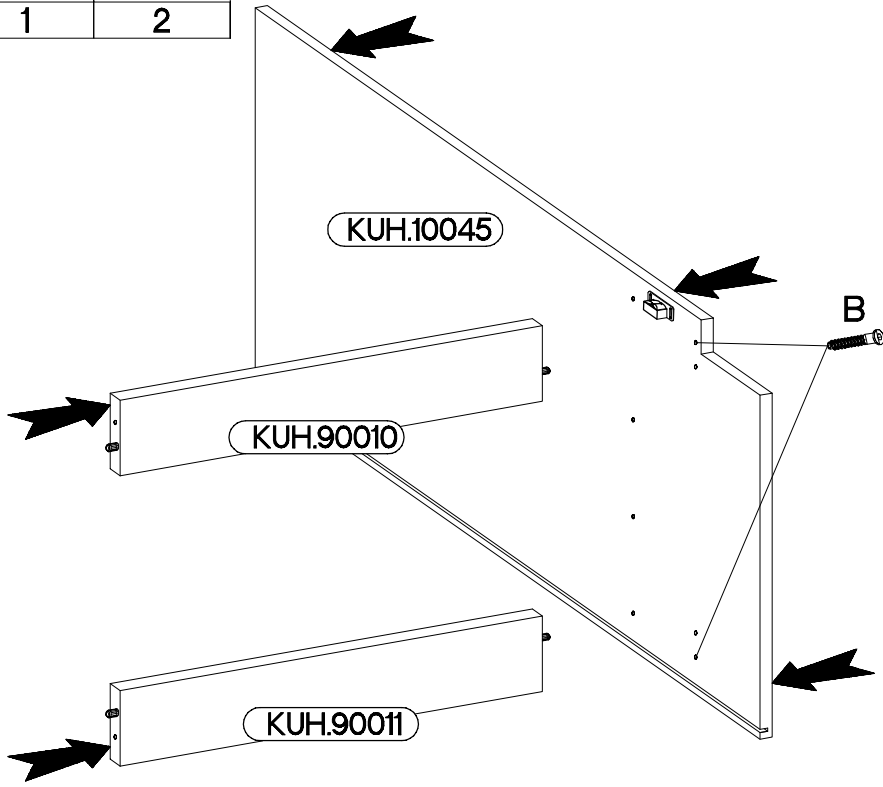
O

1



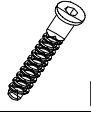
E1

2



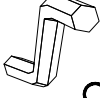
3

6,4 x 50mm



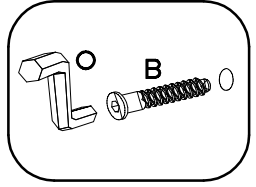
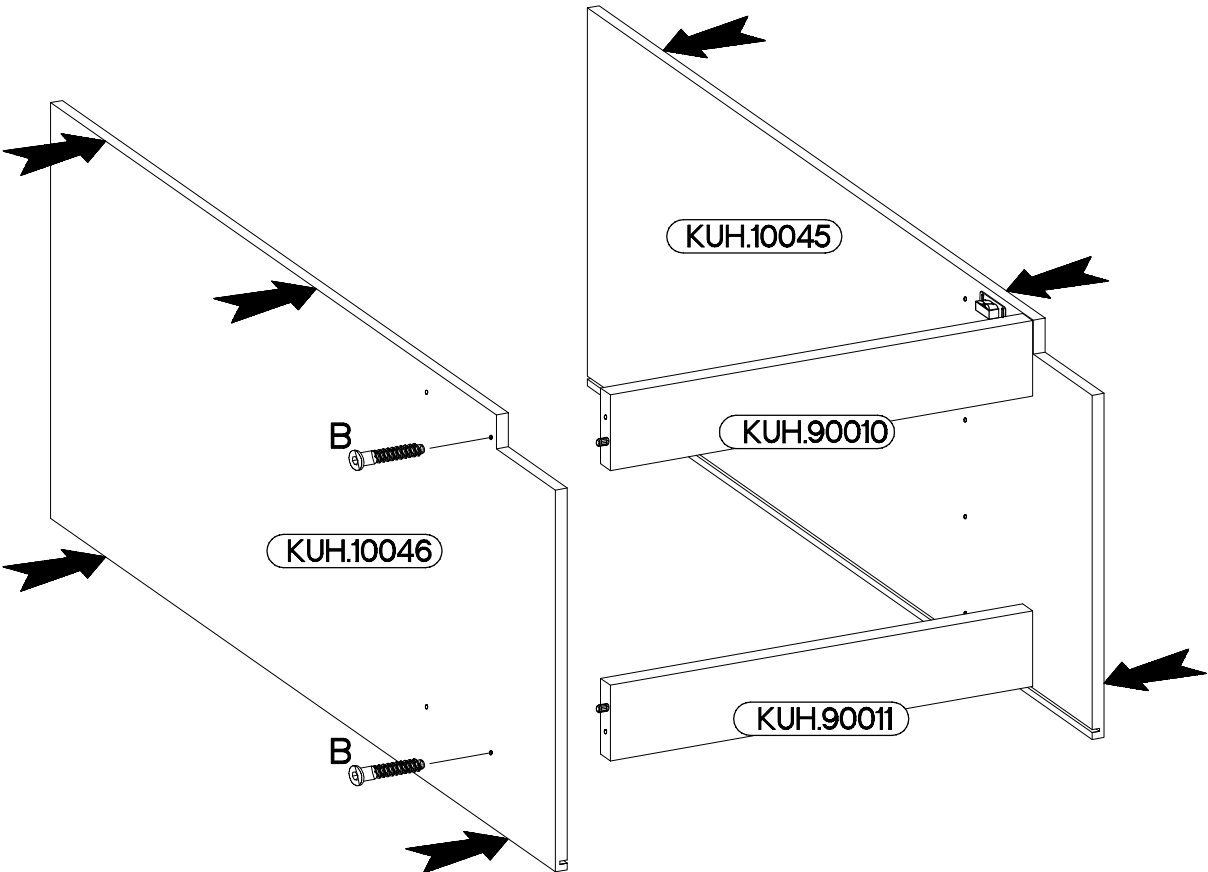
B

2




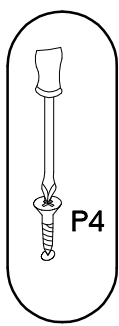
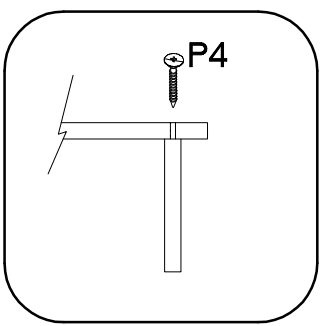
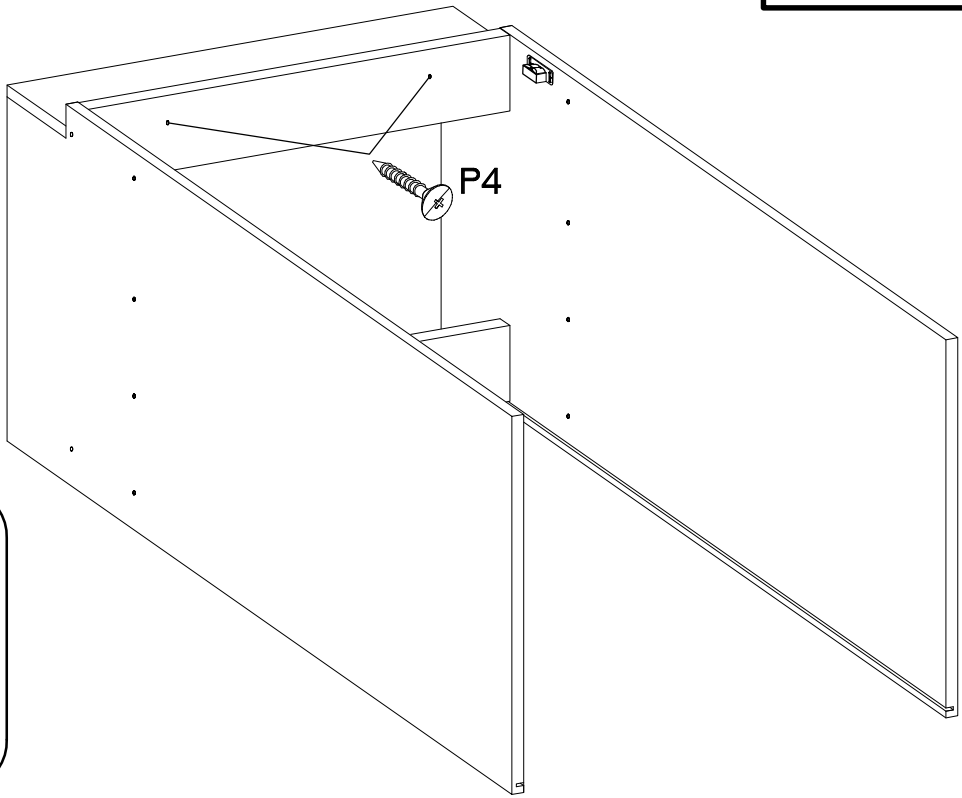
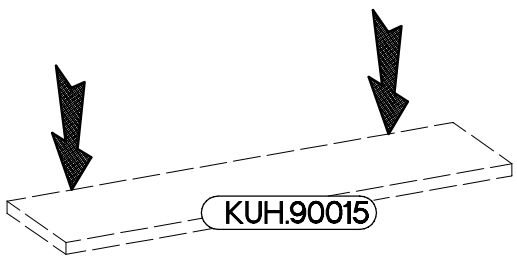
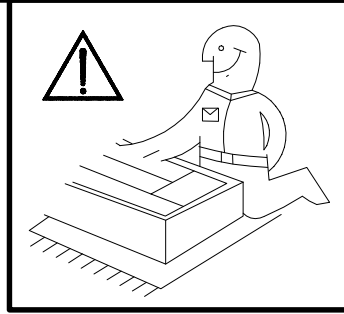
O

1

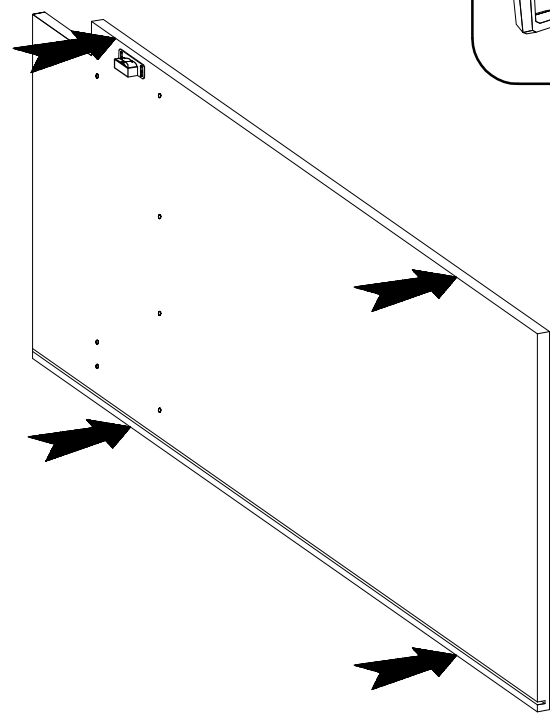
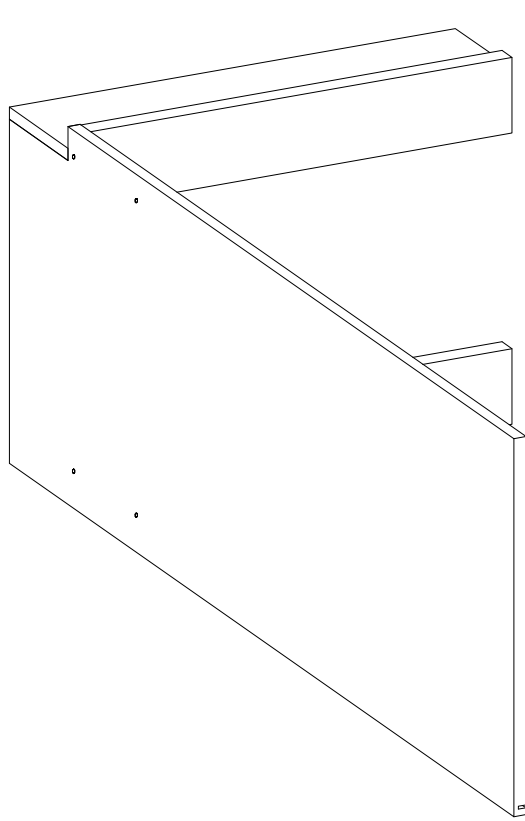
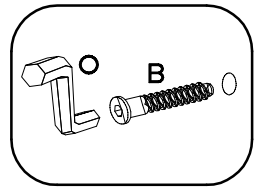


4

	$\pm 4.0 \times 45 \text{mm}$
E9	P4
2	2

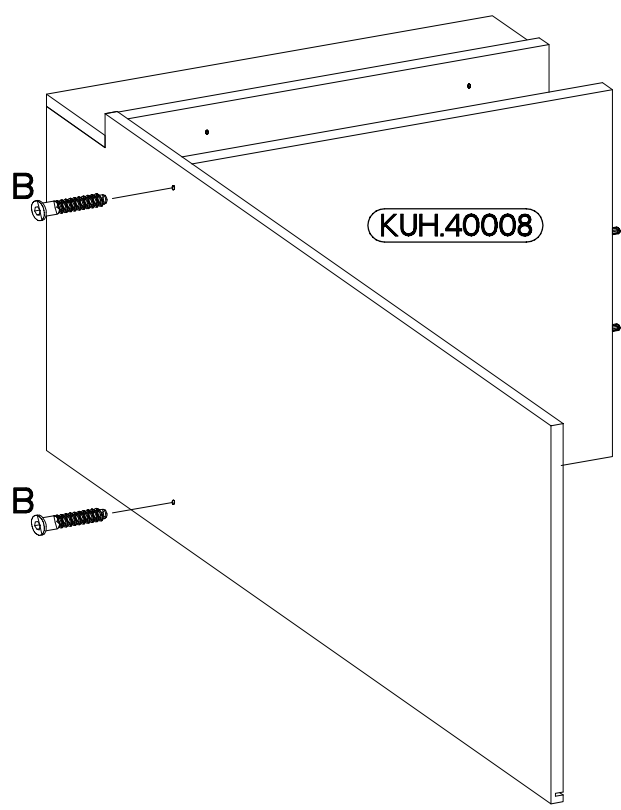
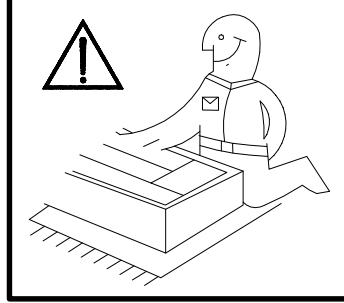
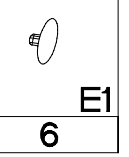
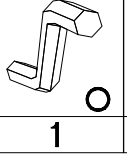
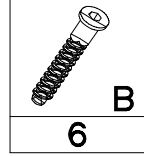


5

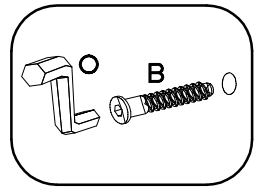
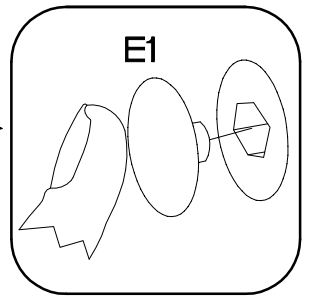
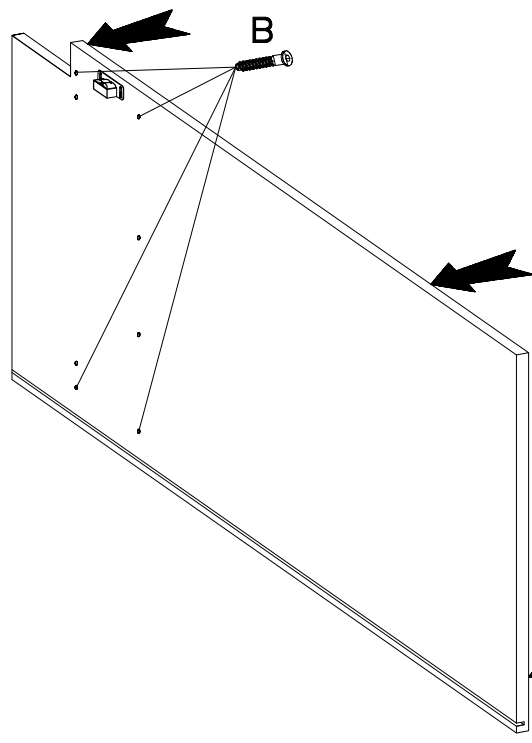


6

6,4 x 50mm

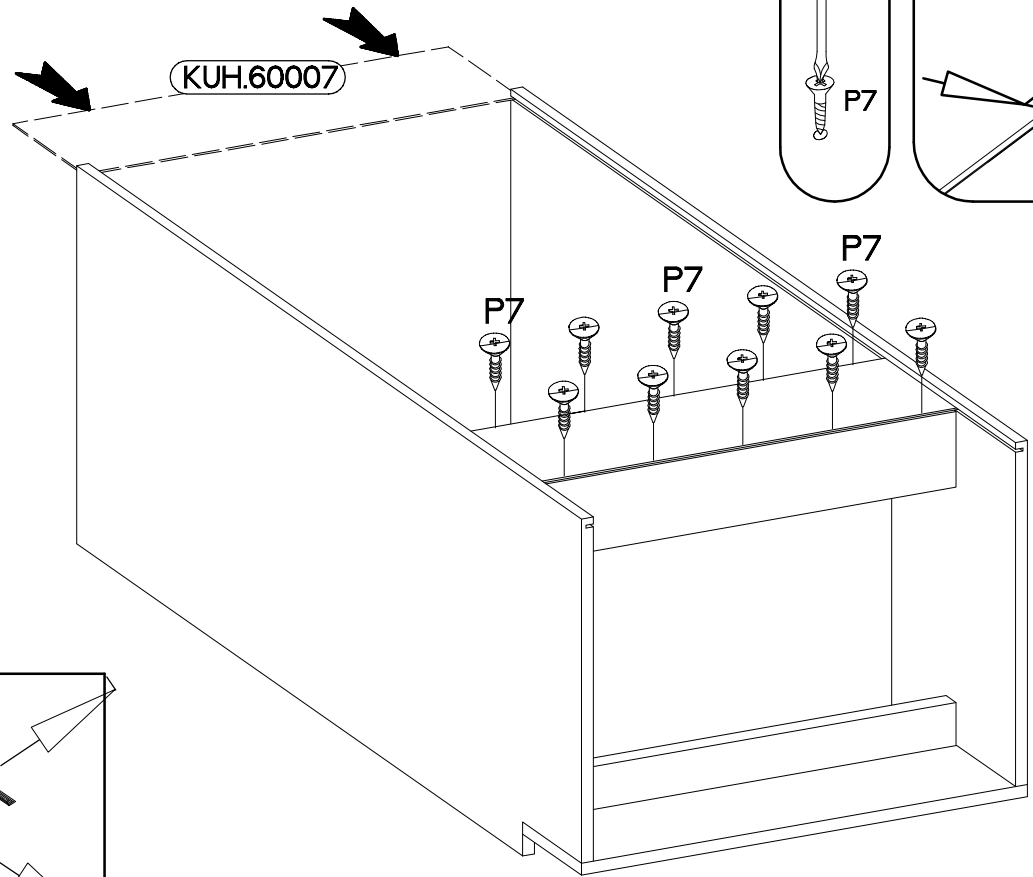
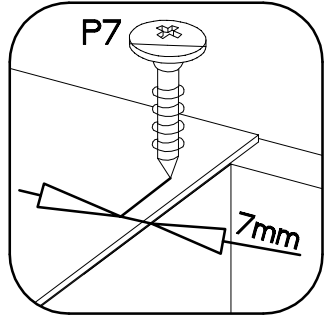
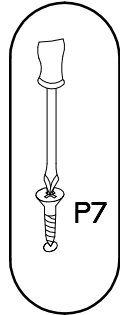
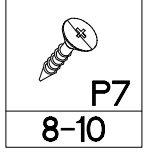


KUH.40008



7

3.0x20mm



KUH.60007

