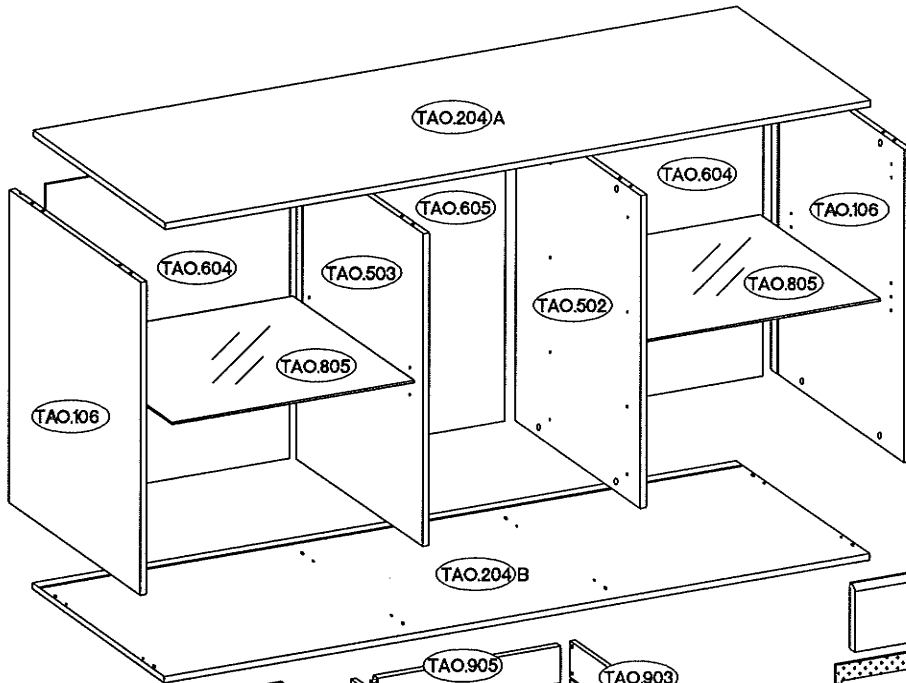
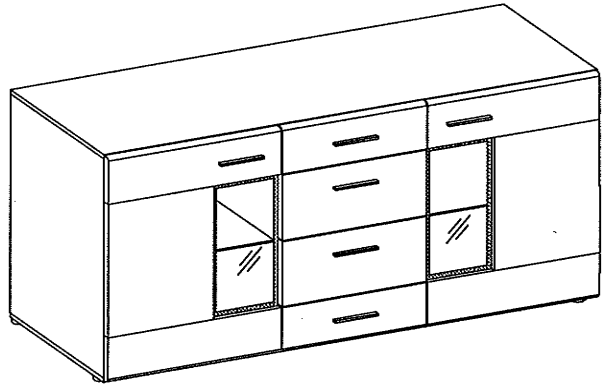
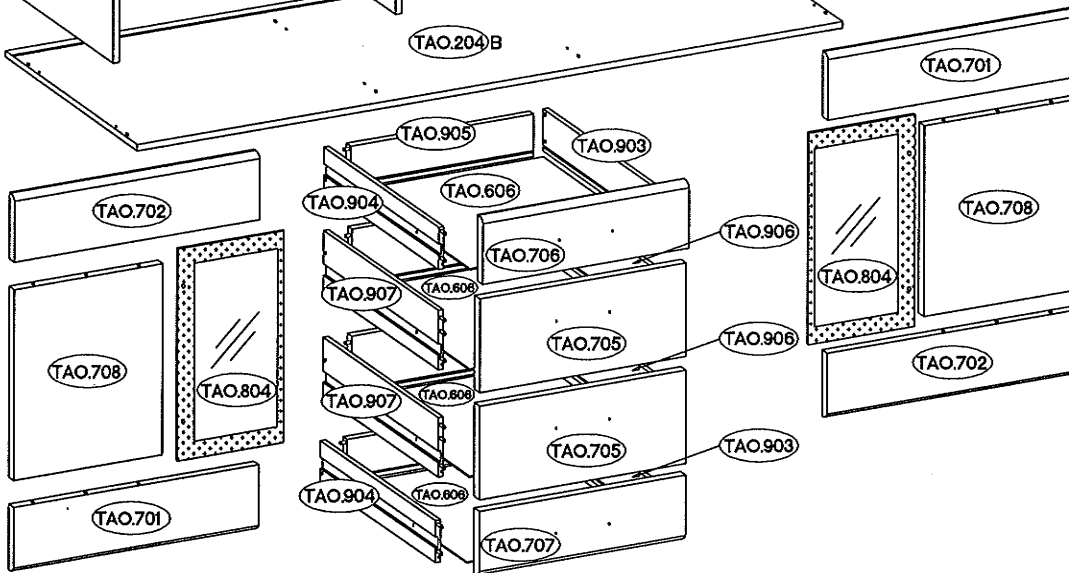


komoda







TAO.805 = max. 2kg

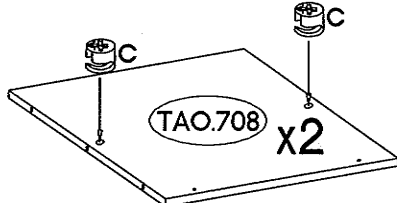
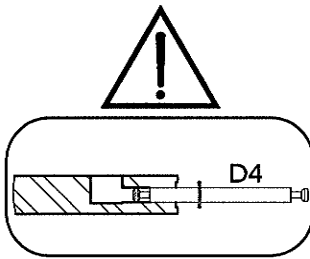
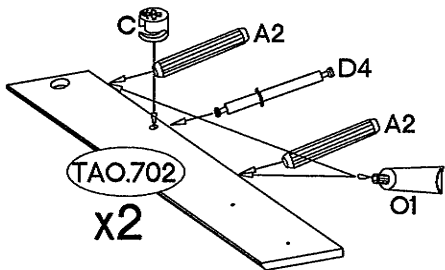
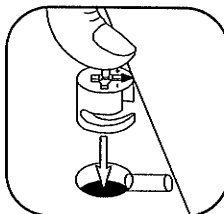
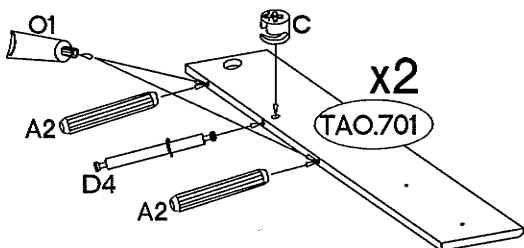
TAO.204 = max. 10kg




10														
+3.0x20mm	+6,3x13mm	27/30mm	M4x9mm	+8x60mm	0,05		+4.0x16mm	+7/4mm	L=56mm	+3.5x13mm		+35/0mm		
10	16	4	8	8	1	10	4	4	4	9	8	4		
L=20mm	+15/12mm	+8x30mm					L=128mm	+4.0x30mm	+6x42mm	+10x50mm				
16	24	16	10	16	6	6	6	12	8	1	1	4		

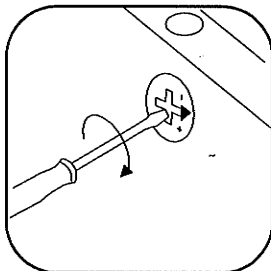
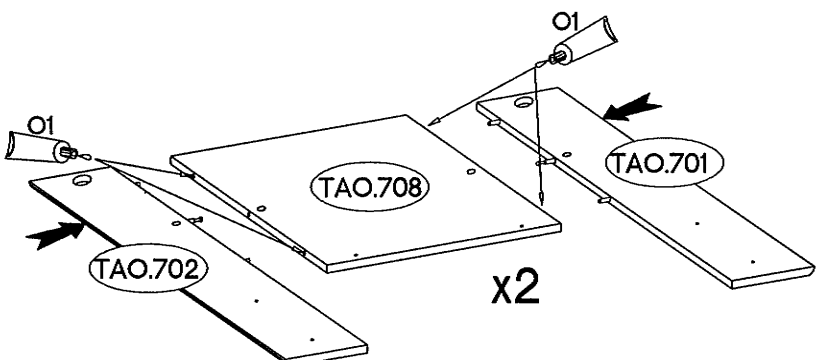
1

 #15/12mm C 8	 #8x60mm A2 8	 0,05 O1 1	 L=58mm D4 4
---	---	--	--






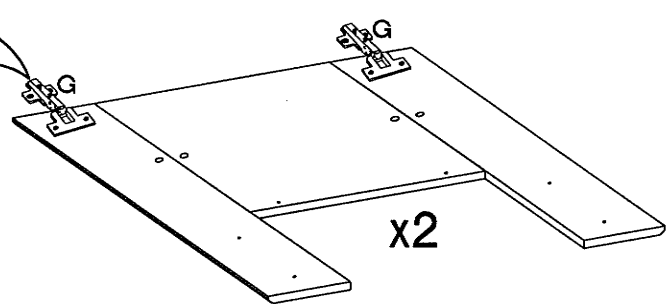
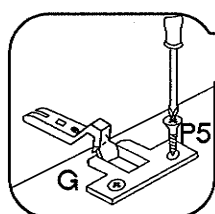
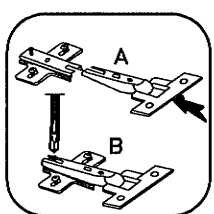
2

 0,05 O1 1

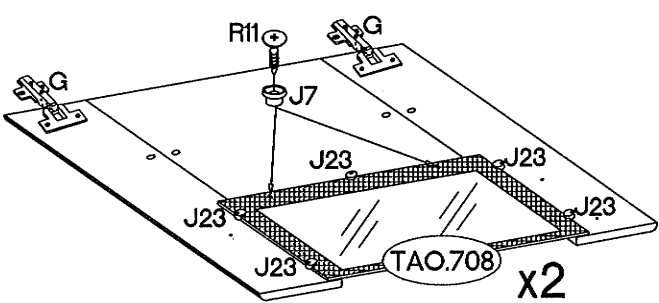
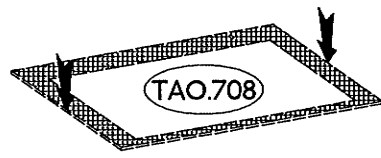
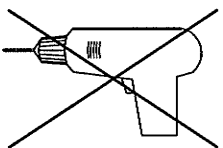
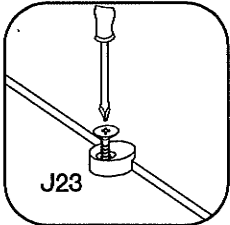




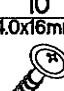
3

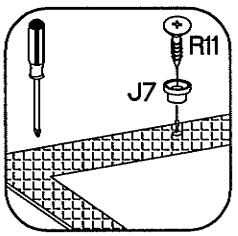
 #35/0mm G 4	 H-0 H 4
 #3.5x13mm P5 8	



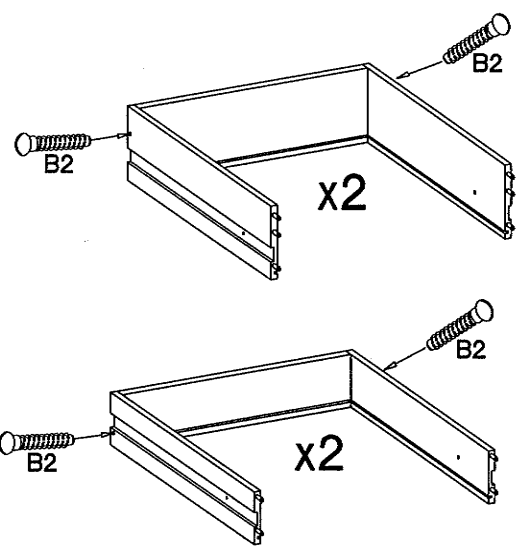
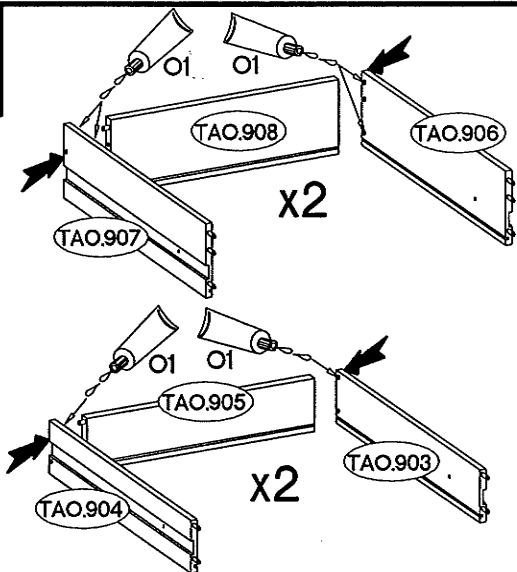
4



 J23 10	 #7/4mm J7 4
 #4.0x16mm R11 4	

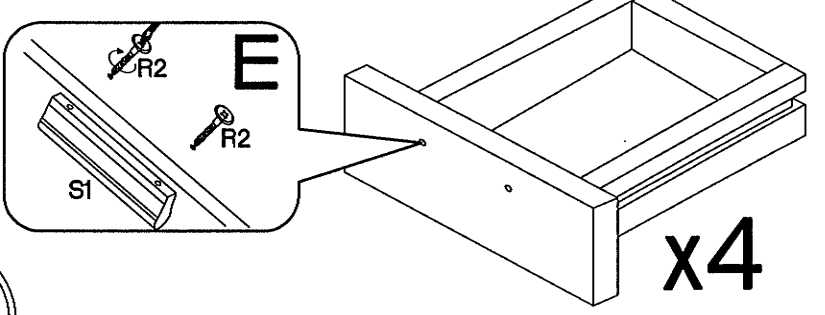
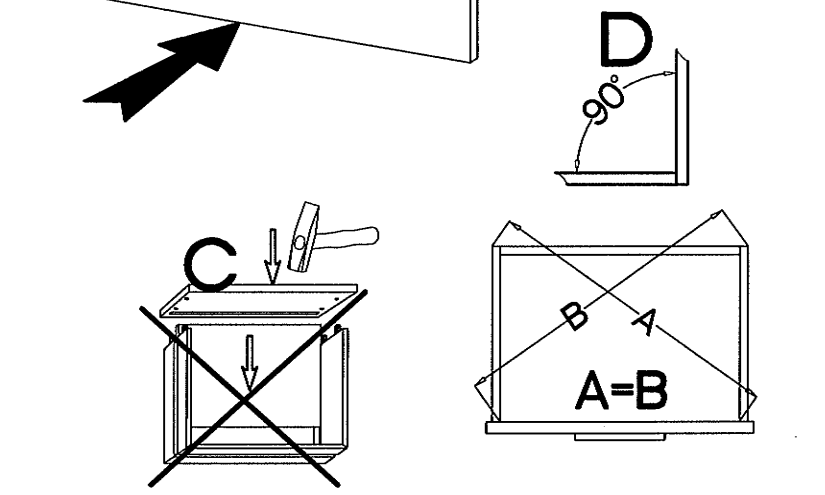
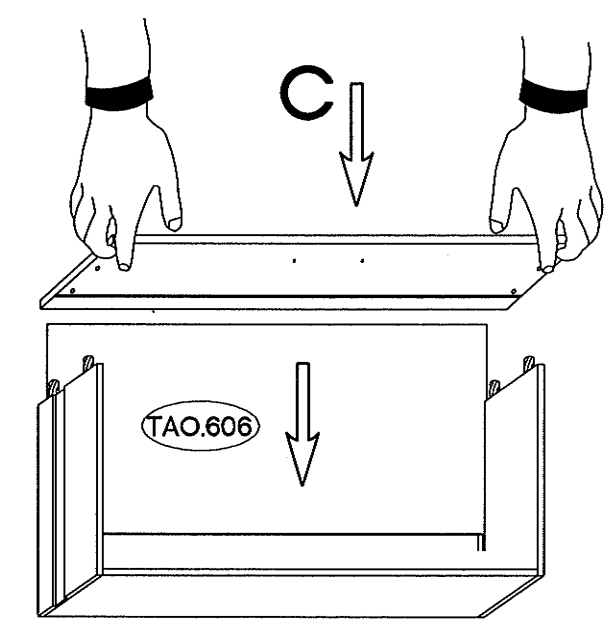
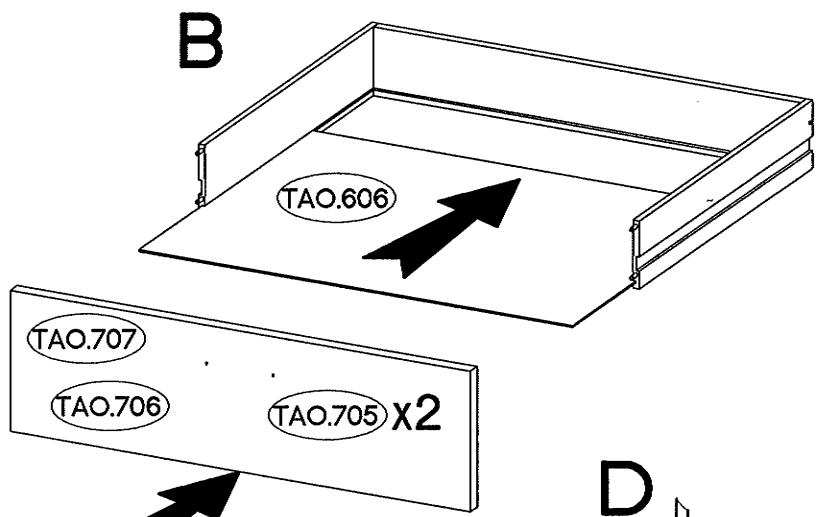
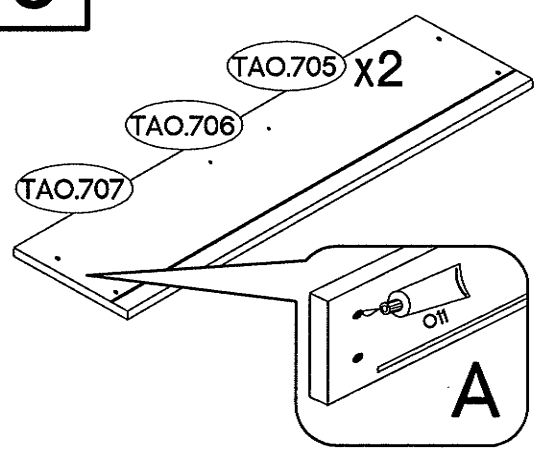


5



0,05	
1	
16x42mm	
8	





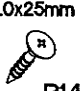


6

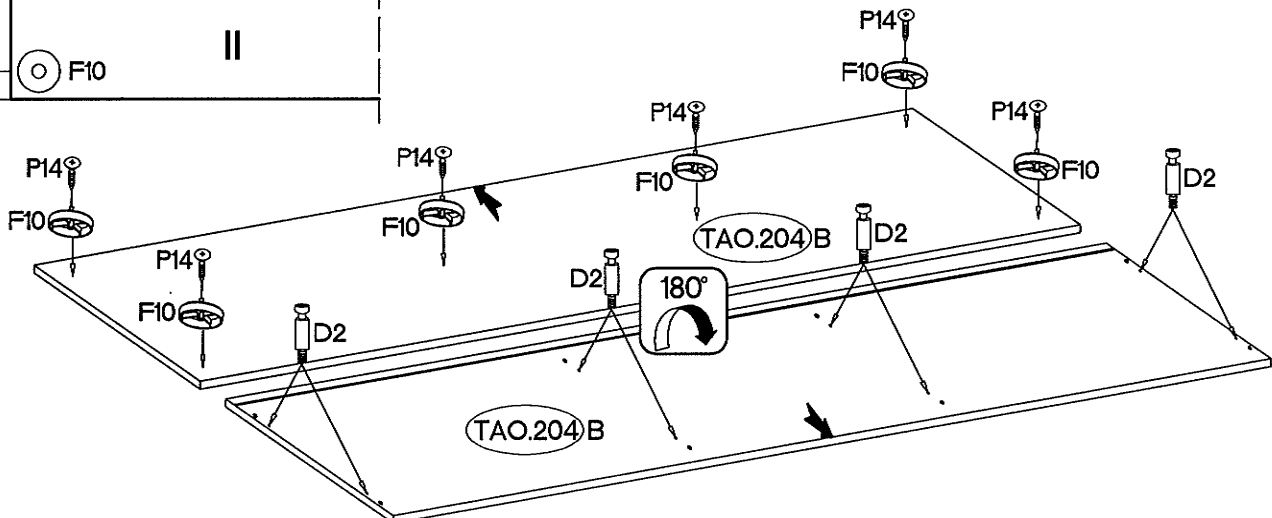
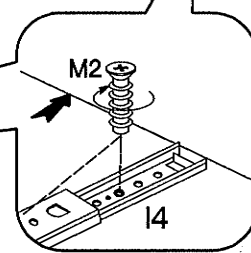
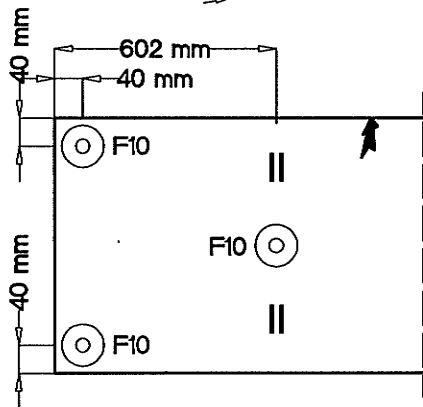
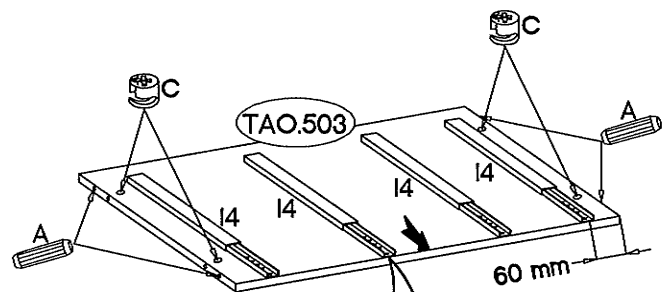
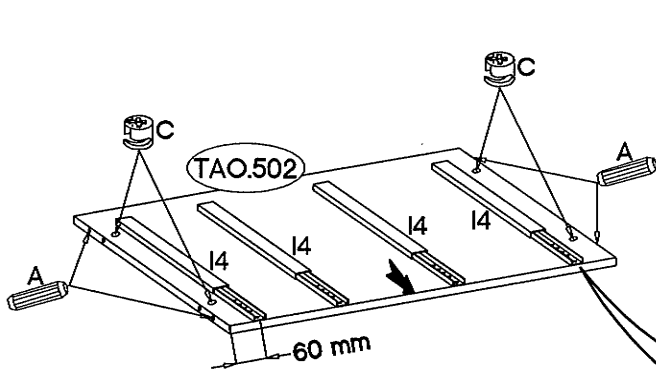
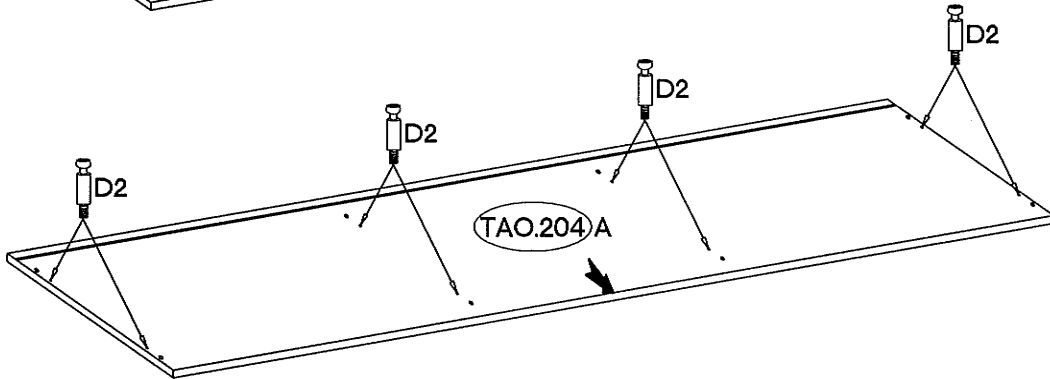
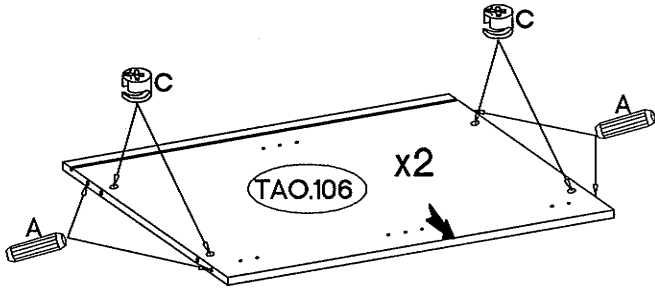
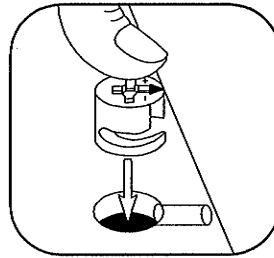
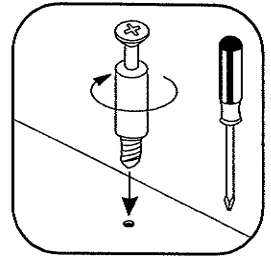


L=128mm	4,0x30mm	0,05
4	8	1

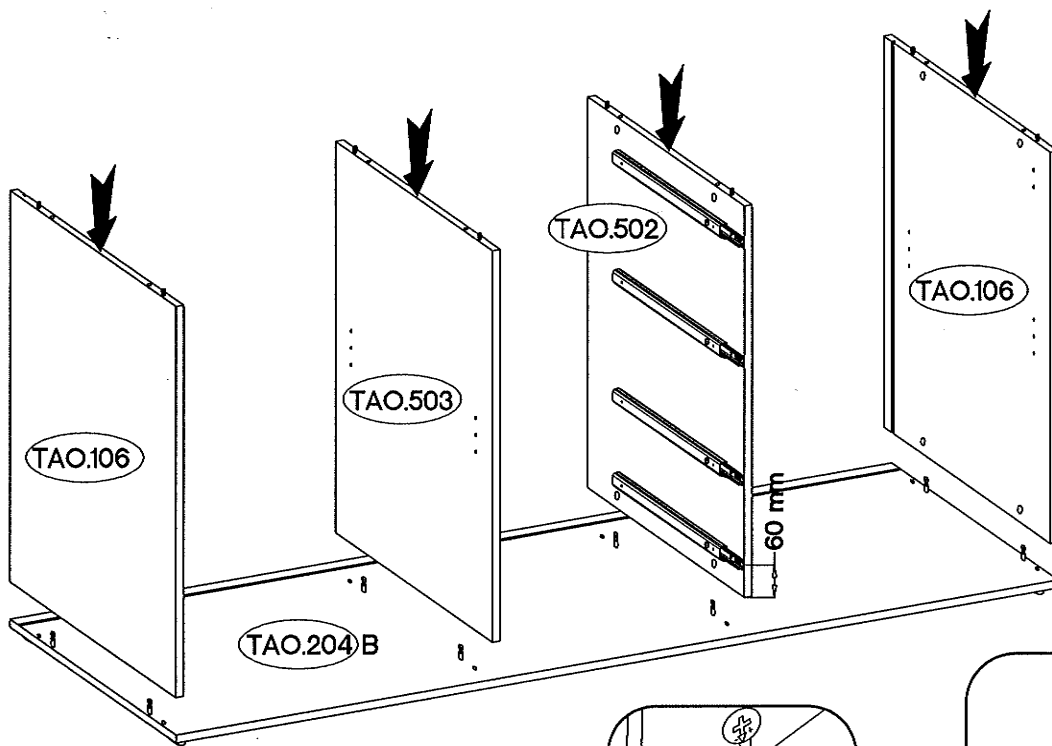


7

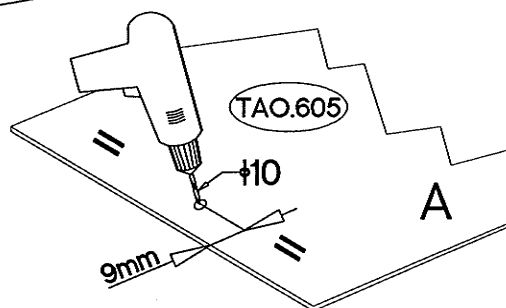
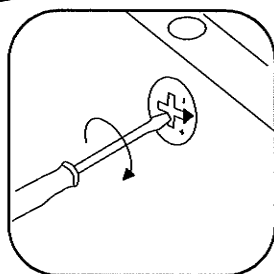
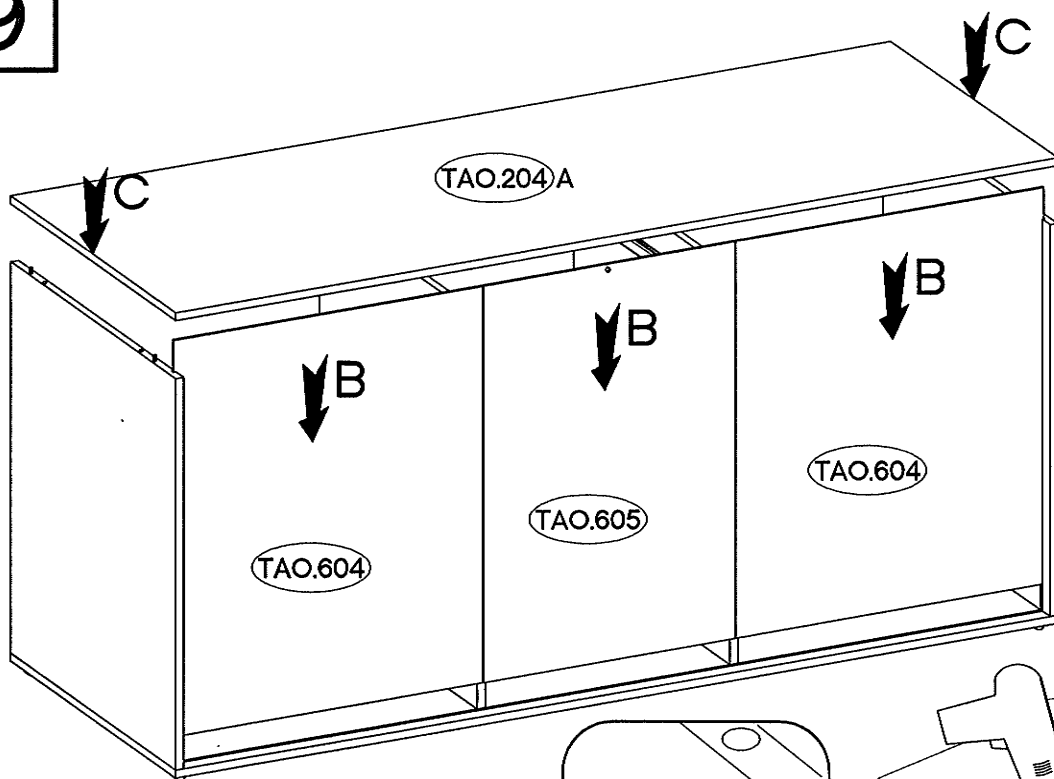
 L=20mm D2	 #5/12mm C	 #8x30mm A	 #4.0x25mm F10	 #6,3x13mm P14	 27/30mm M2	
16	16	16	6	6	16	4






8

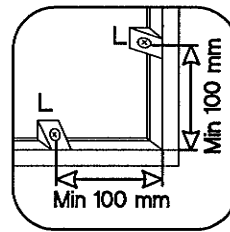
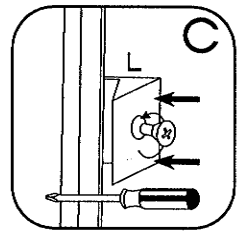
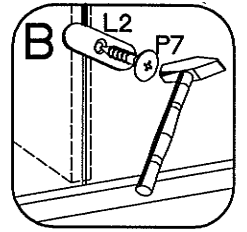
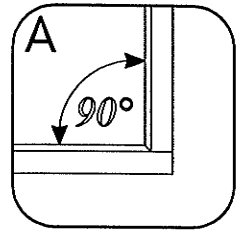
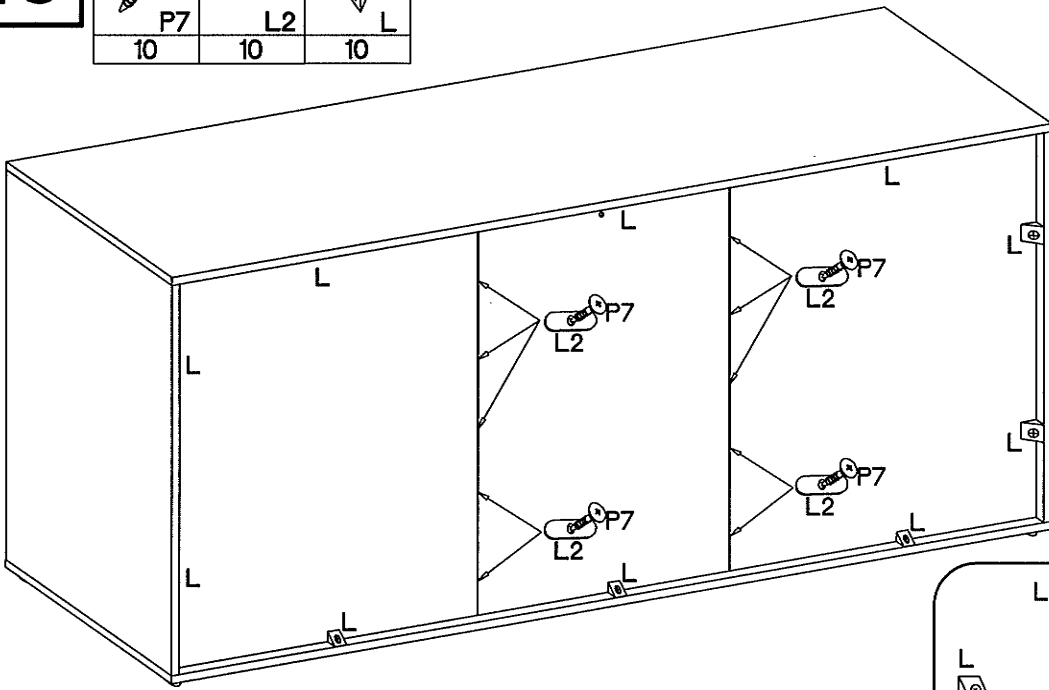


9

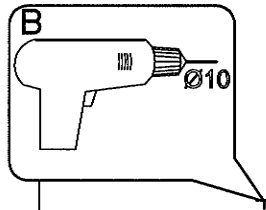
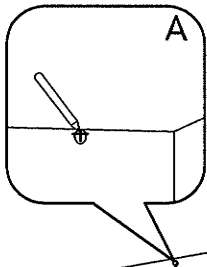


10

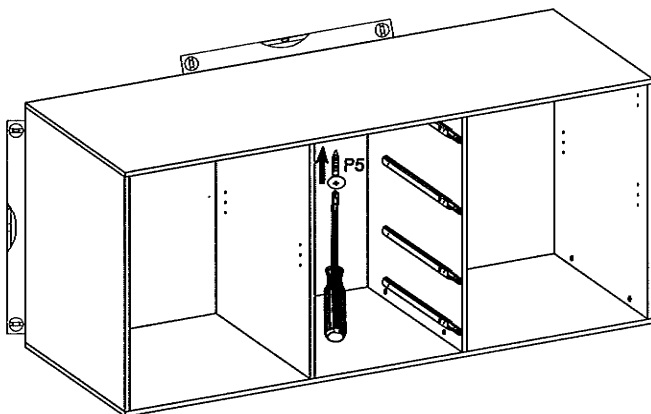
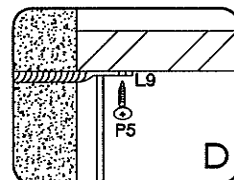
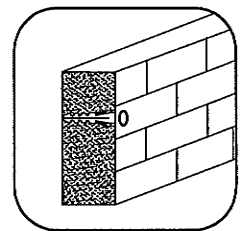
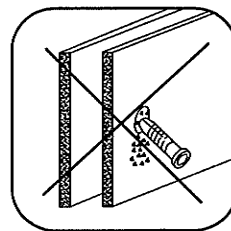
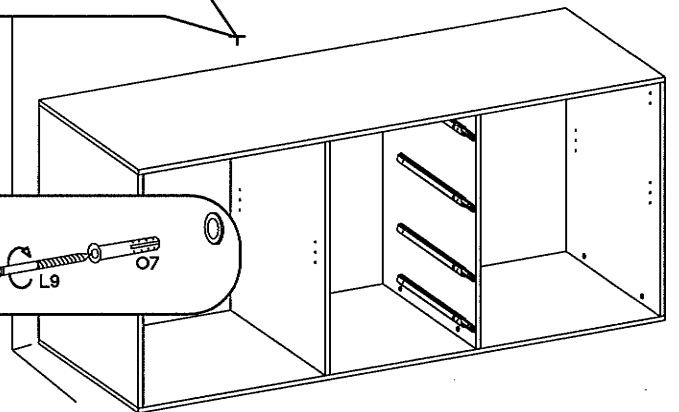
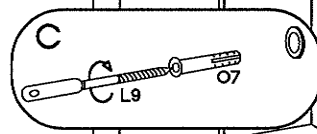
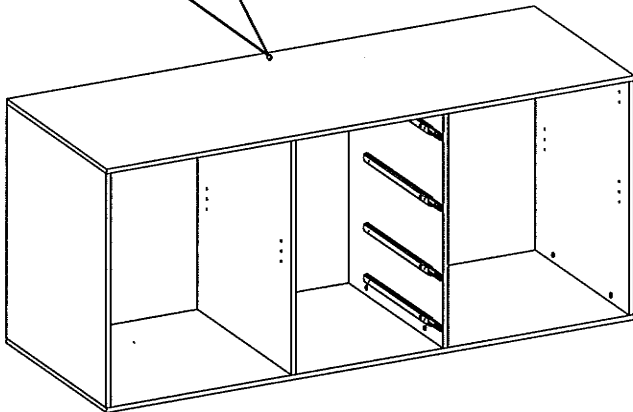
 P7 10	 L2 10	 L 10
---	---	--



11



 P5 1	 O7 1	 L9 1
--	--	---



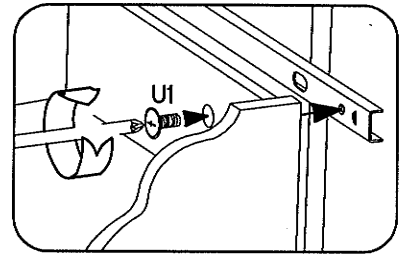
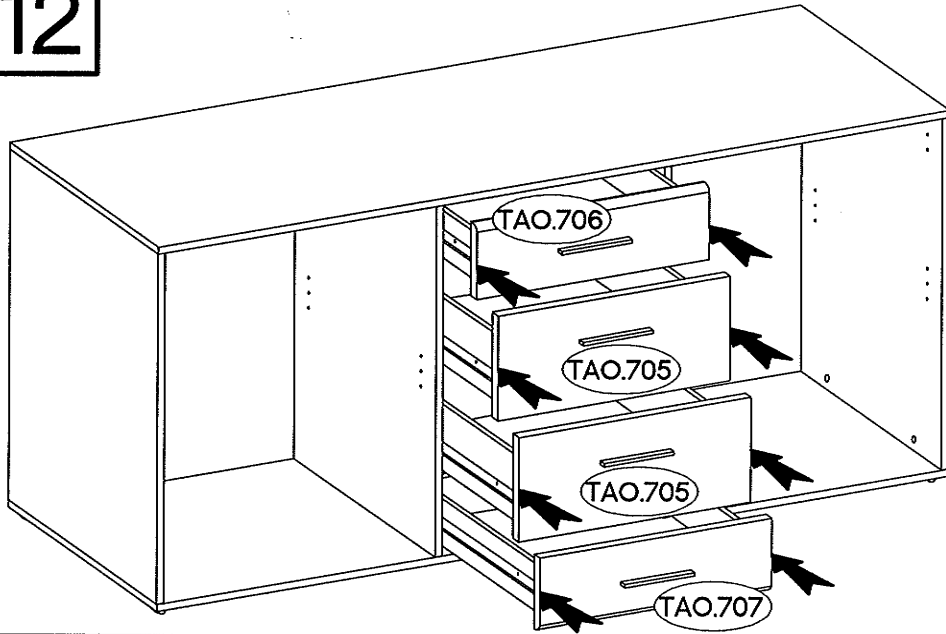
12

M4x9mm



U1

8



13

L-128mm

4.0x30mm



S1

2



R2

4



E

16



J12

8

