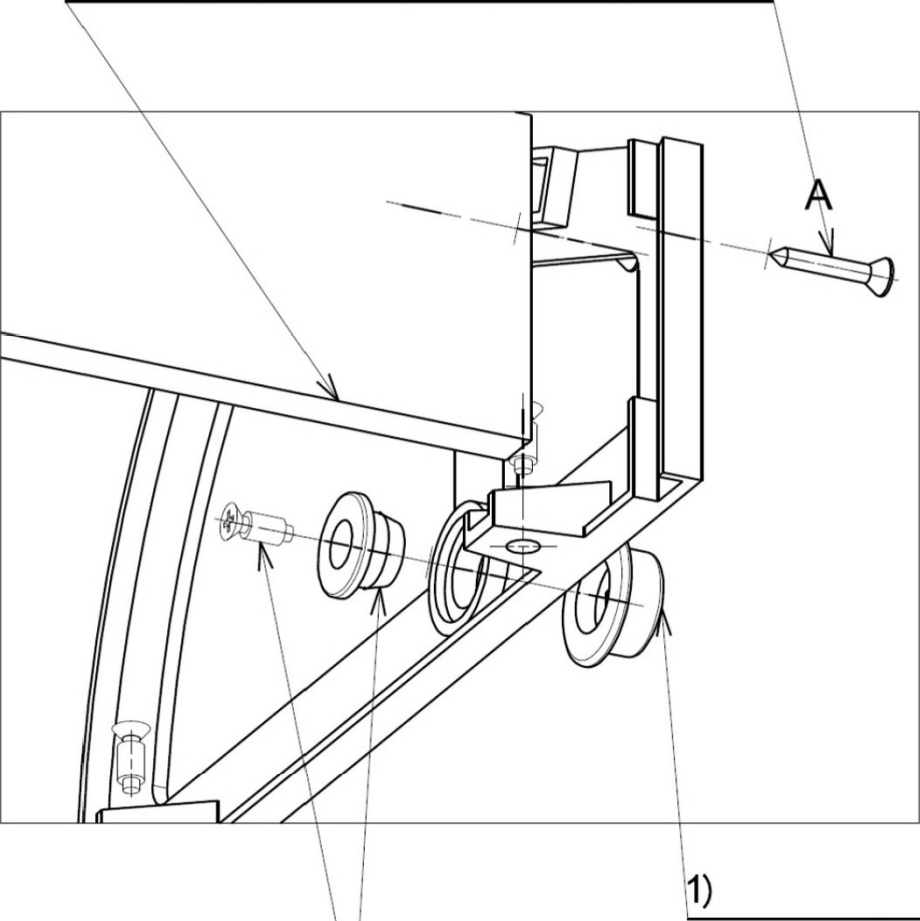


	x4
	x4
	x4
	x4
	x2P x2L
	x4
	x2
	x4
	x2
	x10
	x12
	x13
	x8
	x8
	x2
	x25
	x25
	x4
	x4
	x4

3)



2)

6

A

