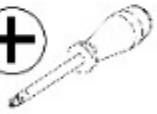


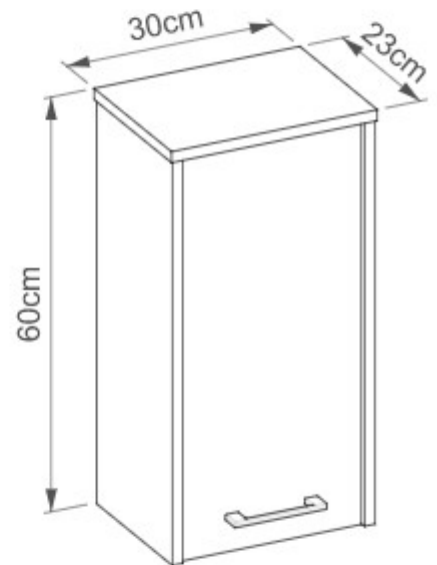


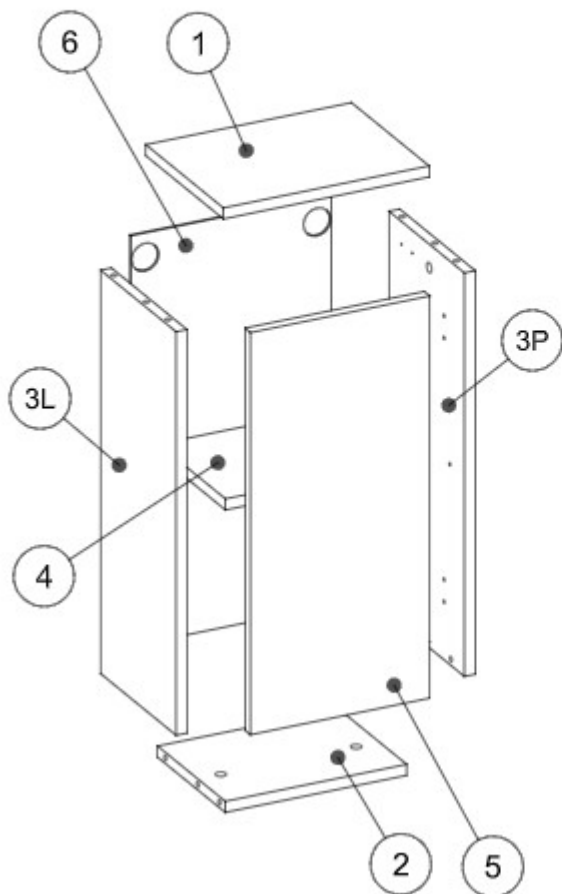
~120 min



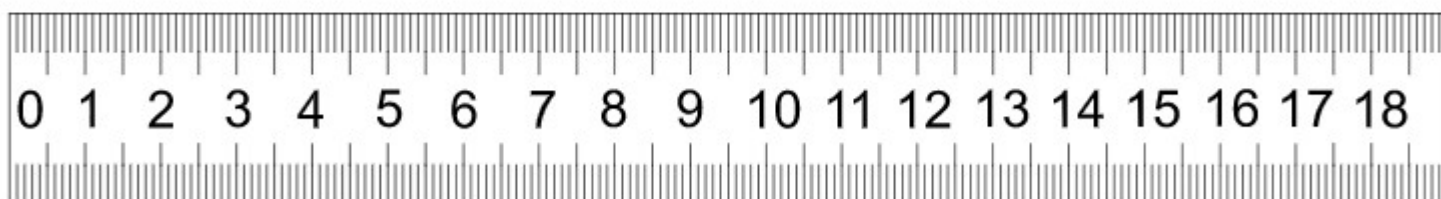
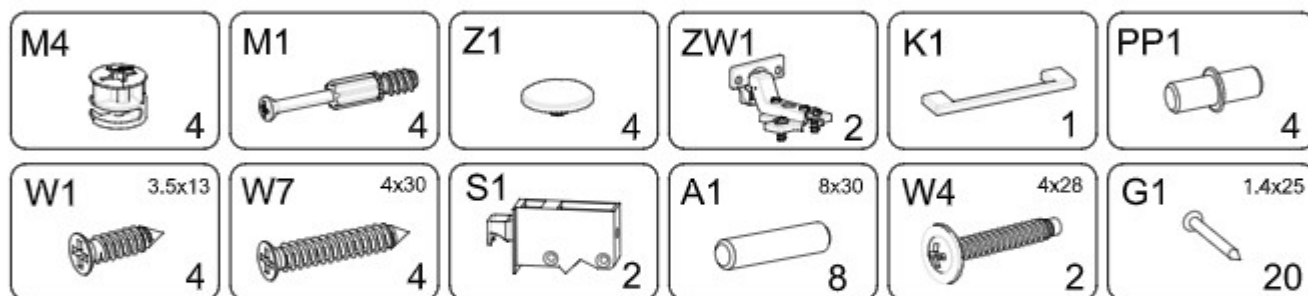
x2

Ø 5mm

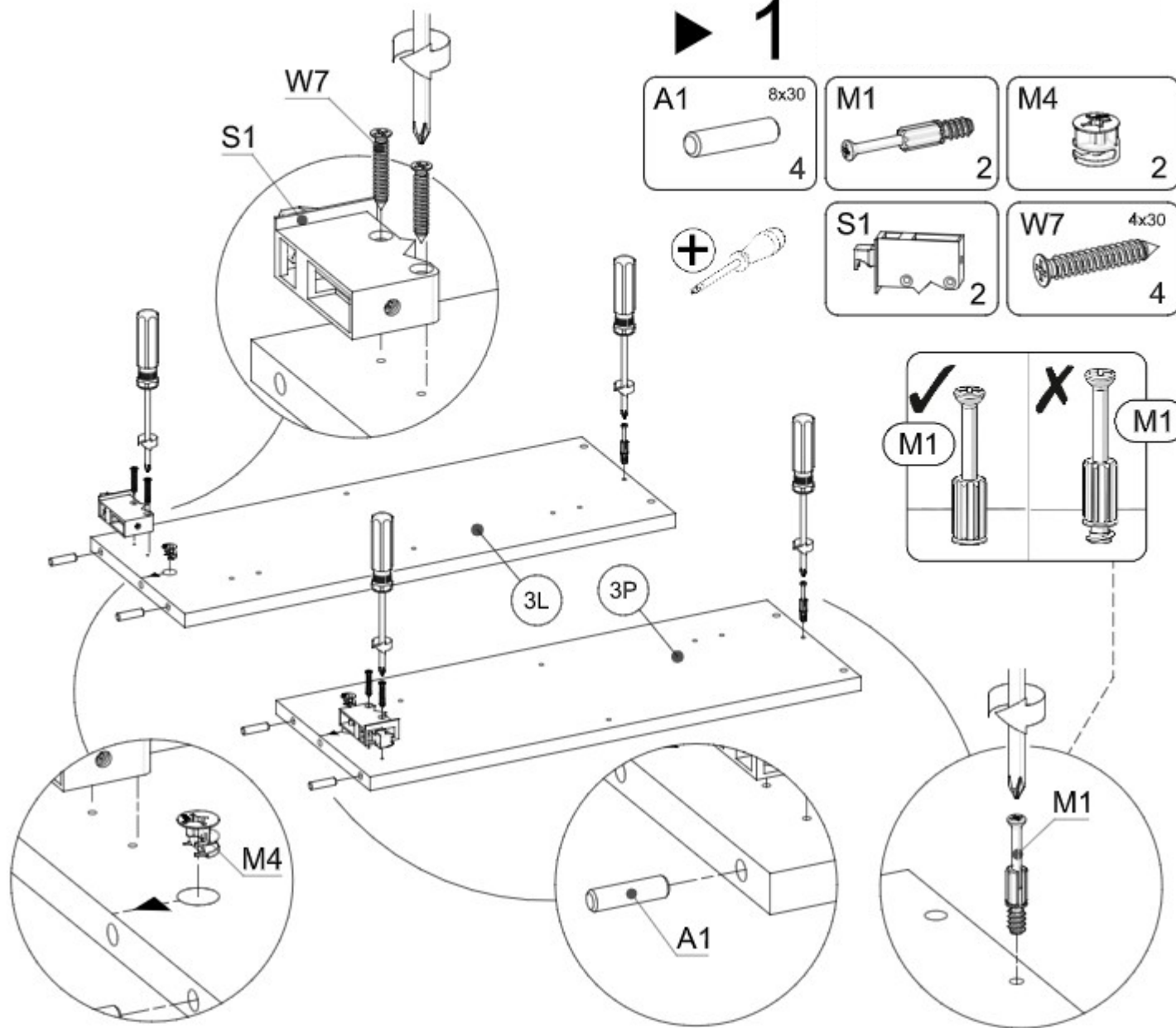
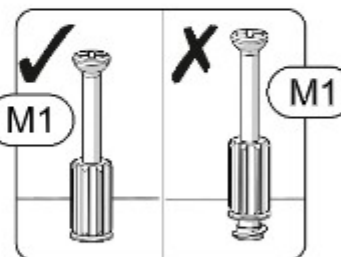
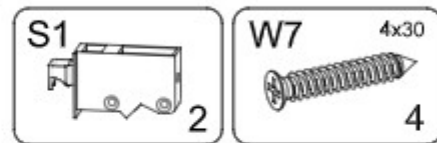
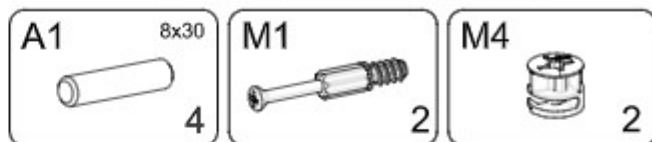




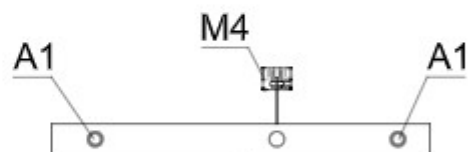
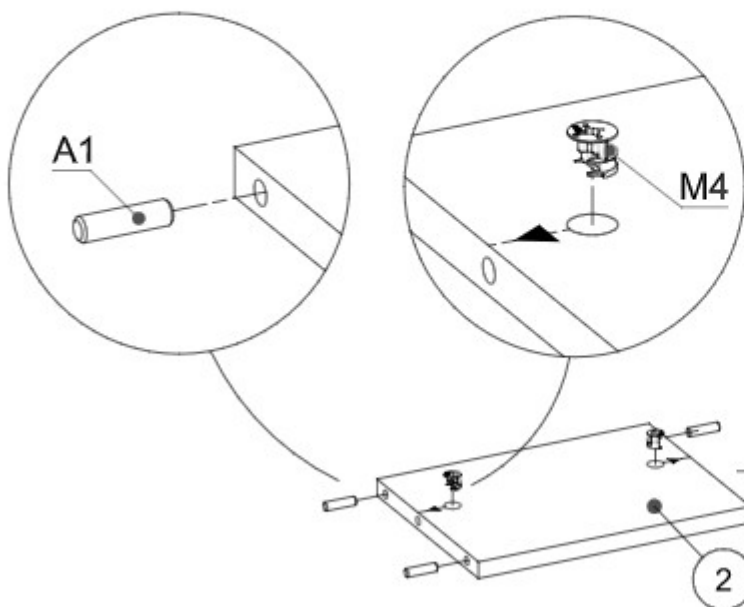
1	304x229x16mm	1
2	268x200x16mm	1
3L	584x223x16mm	1
3P	584x223x16mm	1
4	268x198x16mm	1
5	582x265x16mm	1
6	598x296x3mm	1



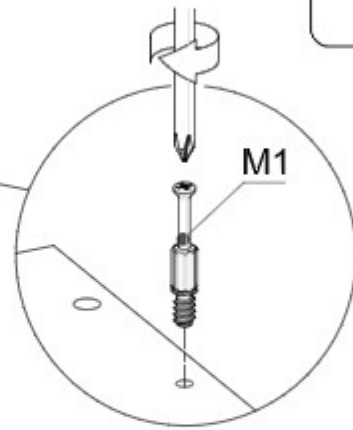
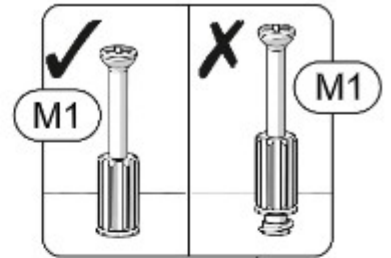
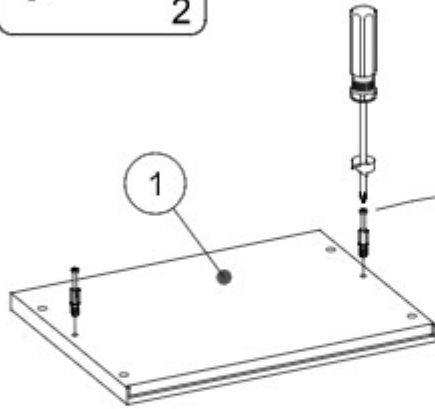
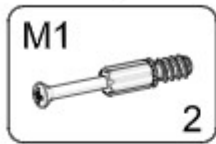
▶ 1



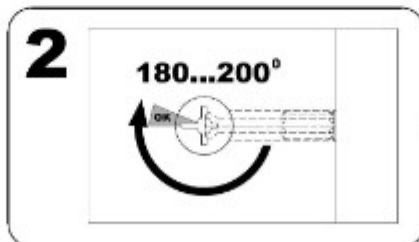
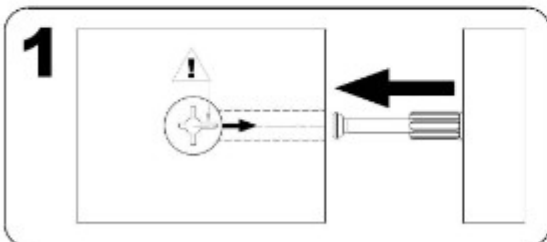
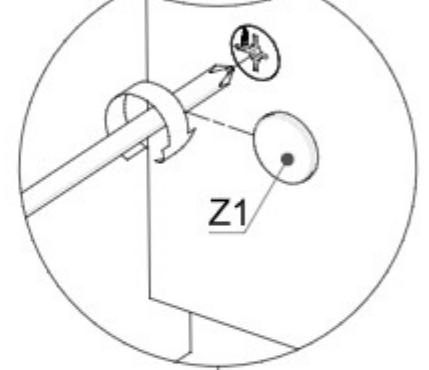
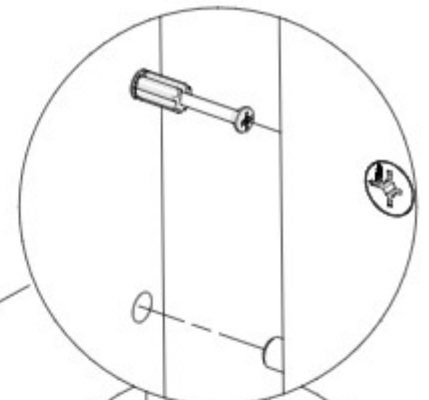
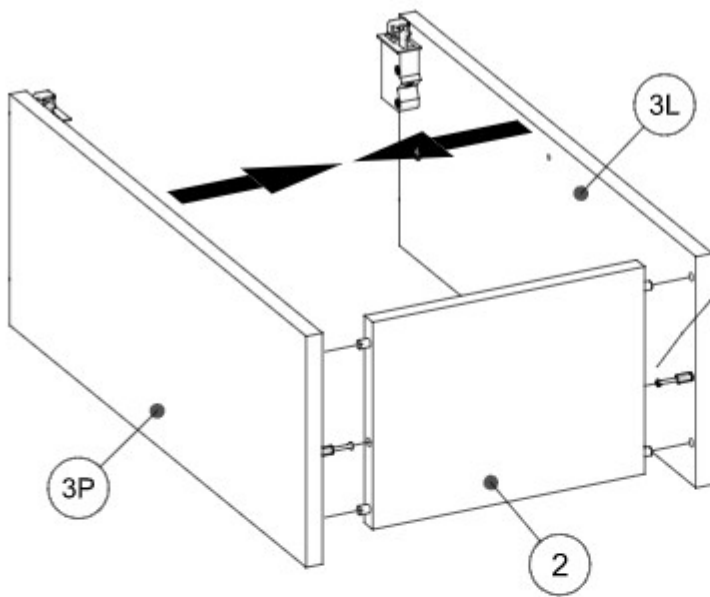
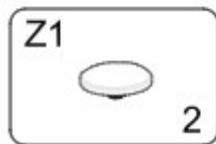
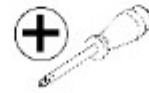
▶ 2



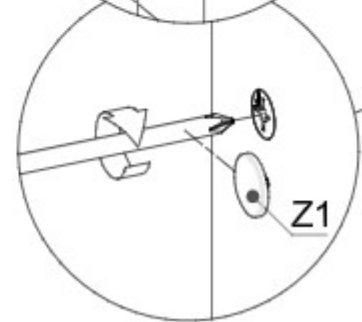
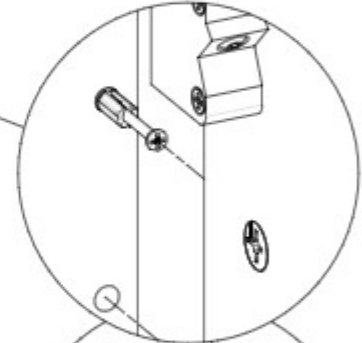
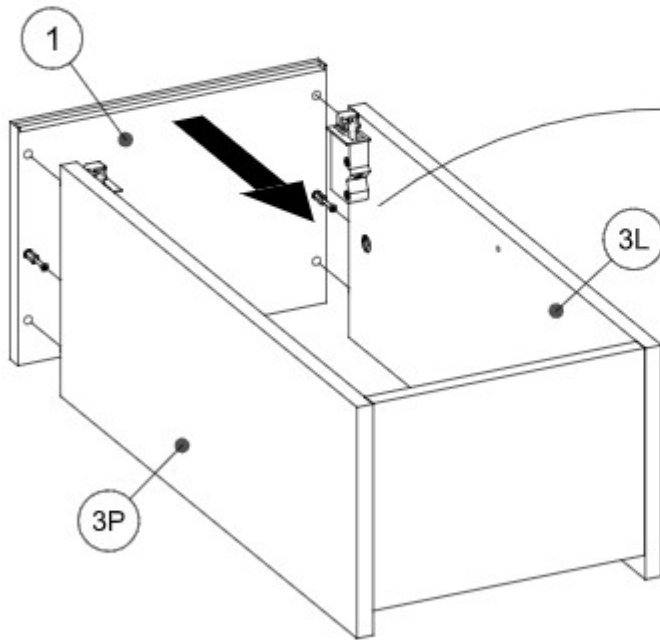
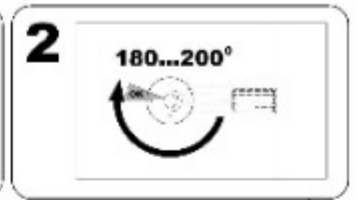
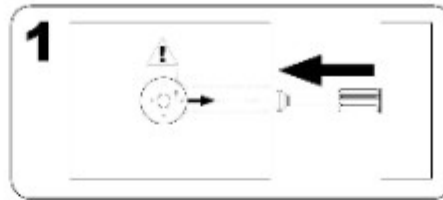
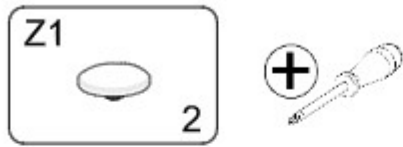
▶ 3



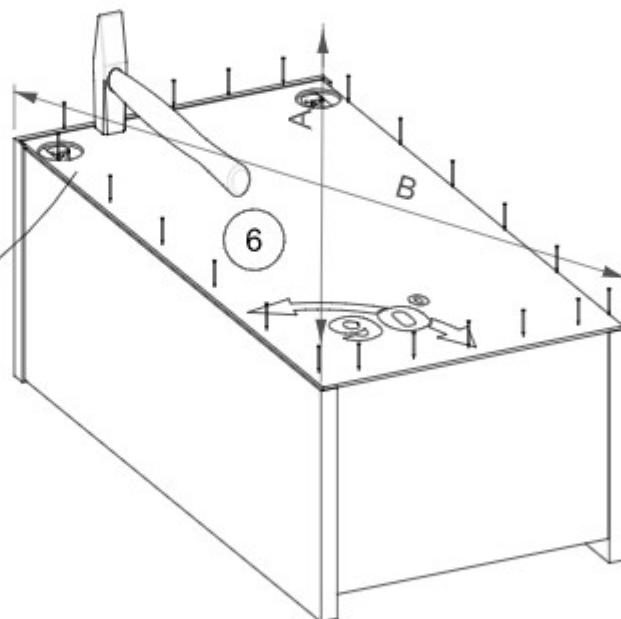
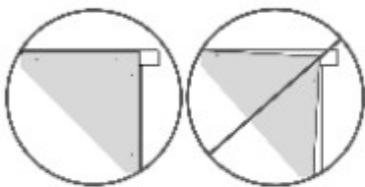
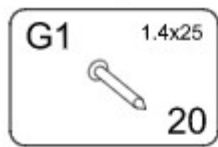
▶ 4



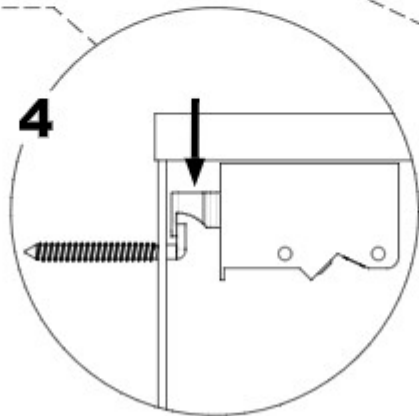
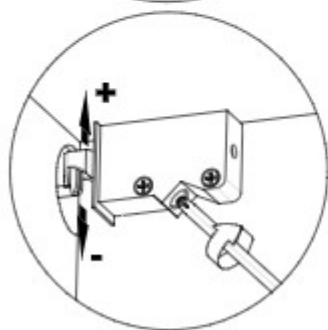
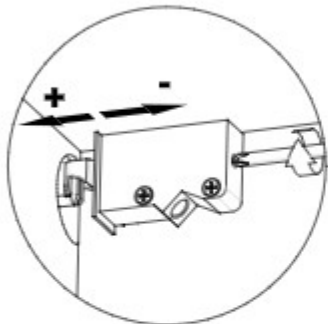
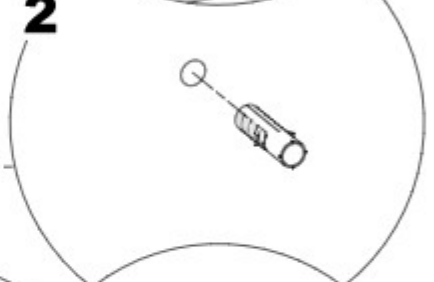
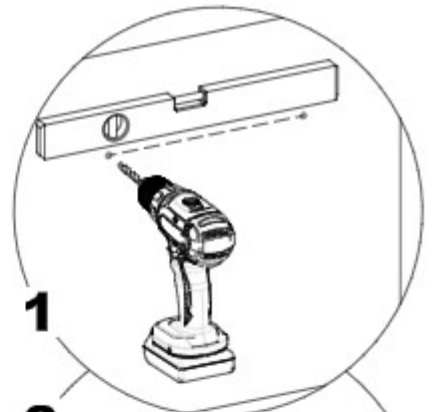
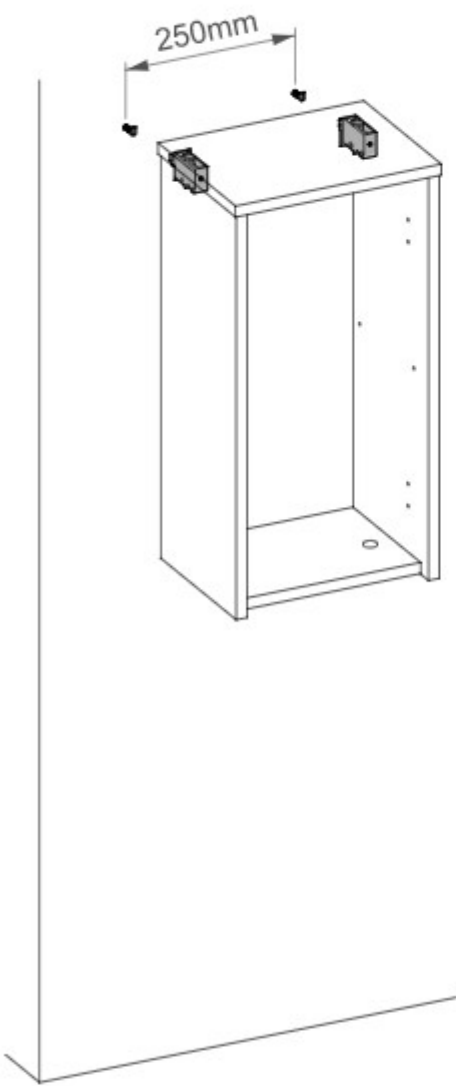
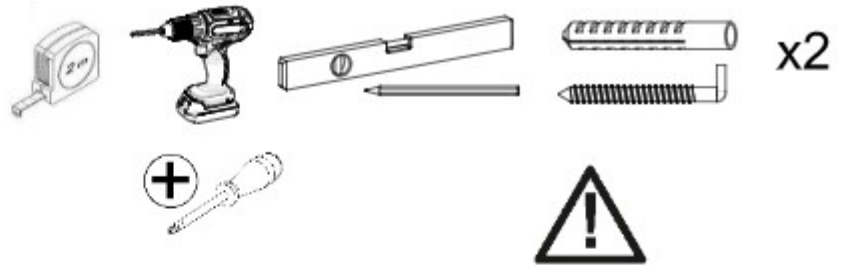
► 5



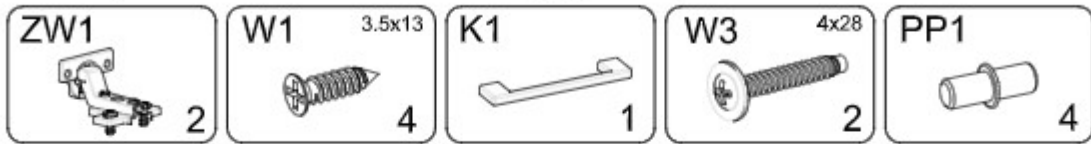
► 6



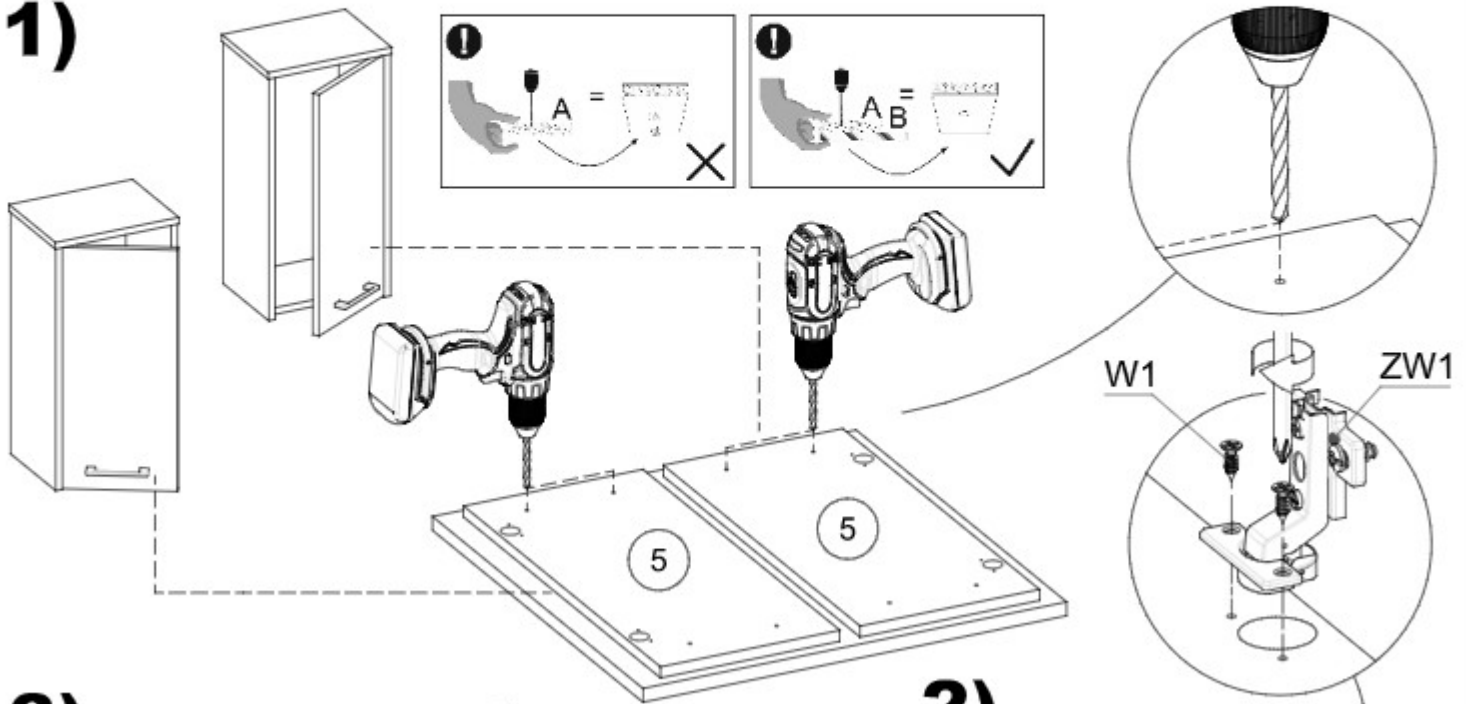
# ▶ 7



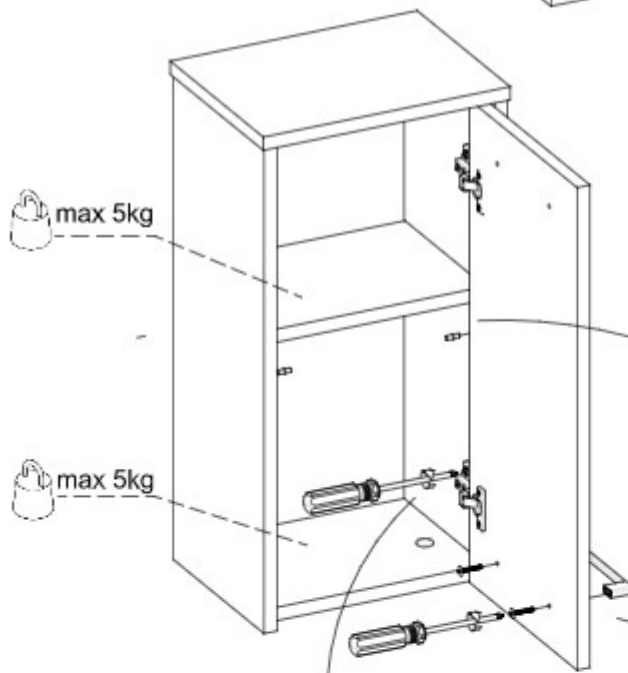
# ▶ 8



## 1)



## 3)



## 2)

