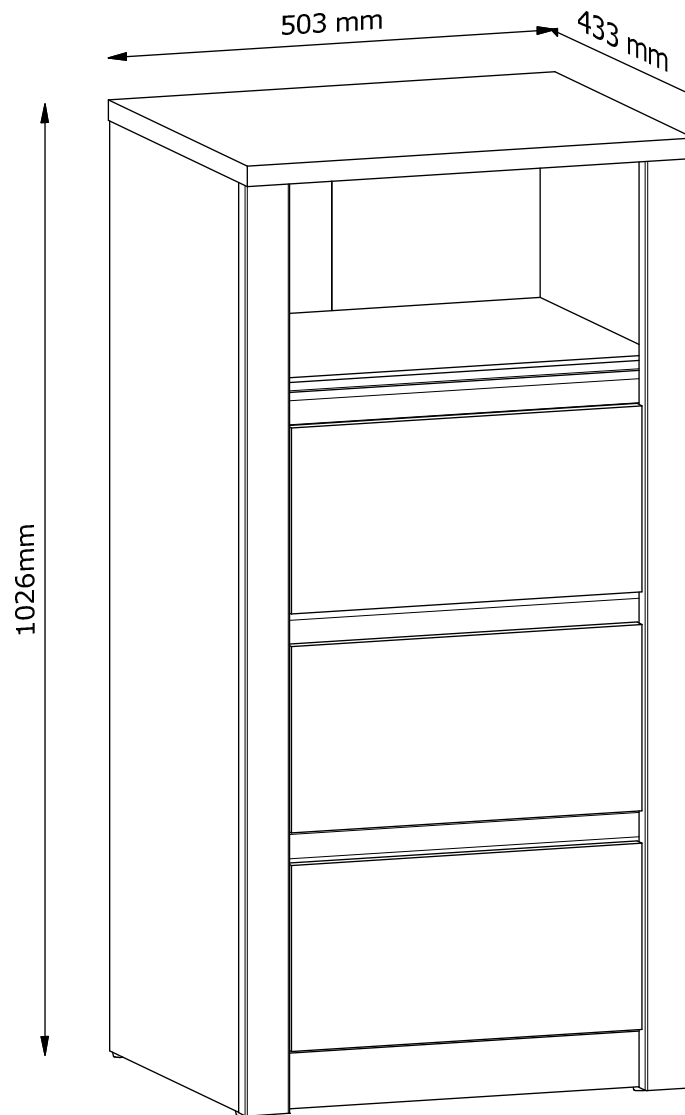
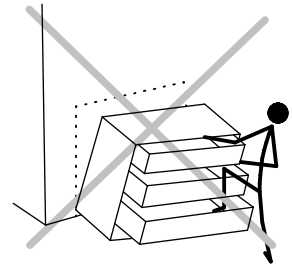
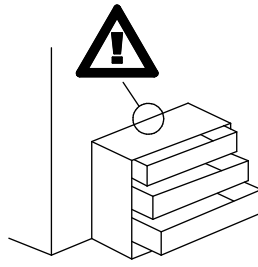
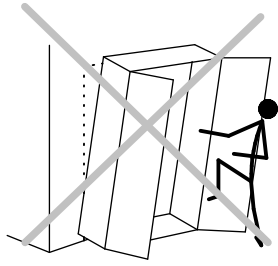
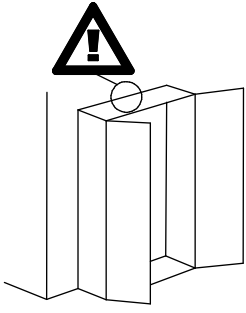
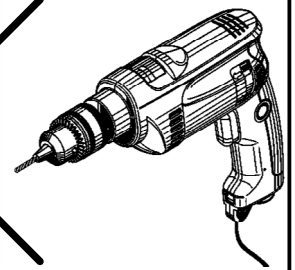
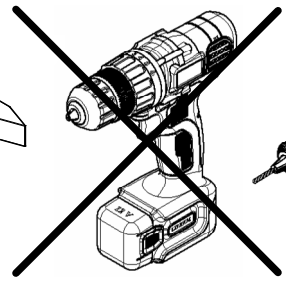
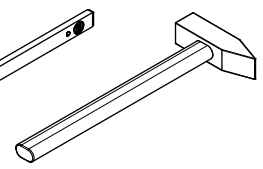
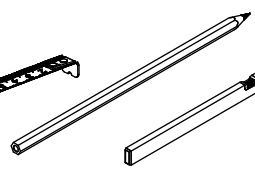
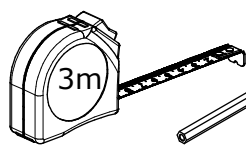
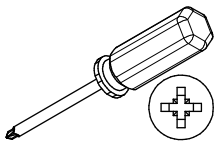
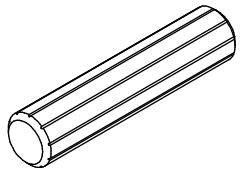
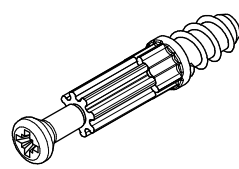
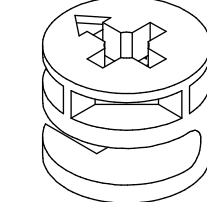
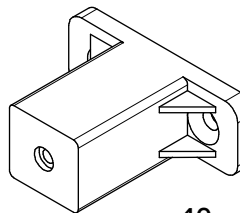
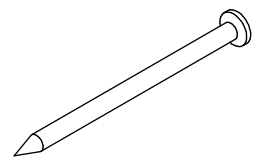
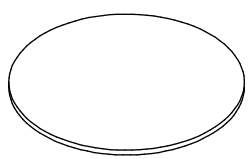
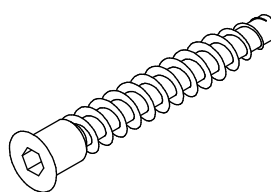
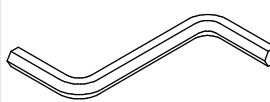
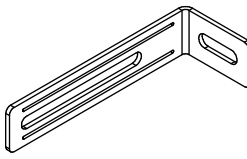
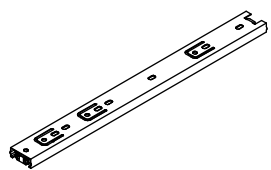
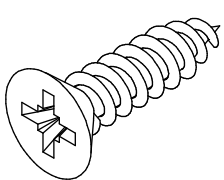
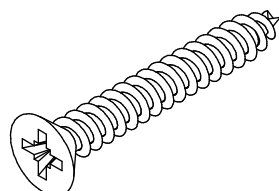
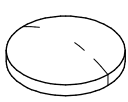
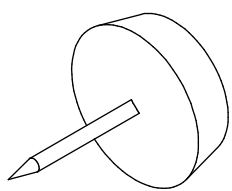


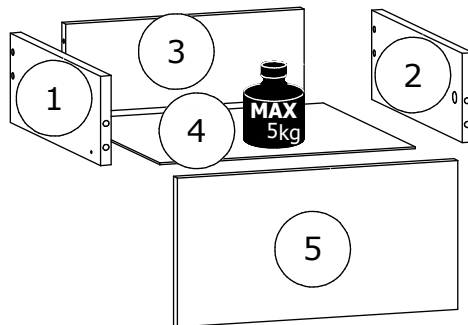
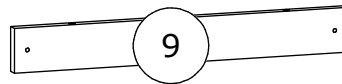
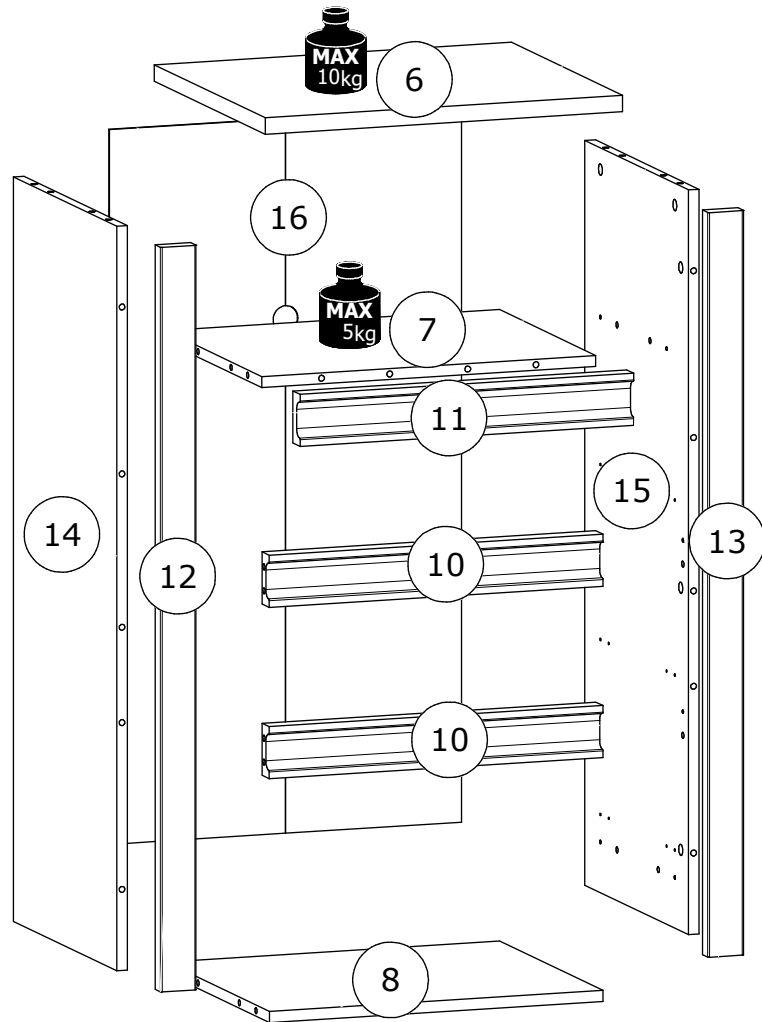
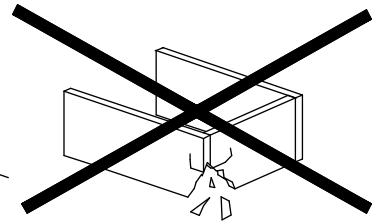
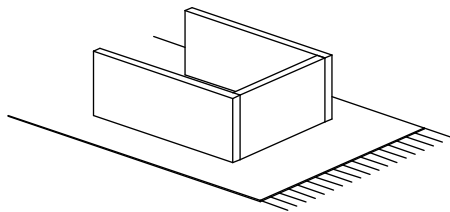
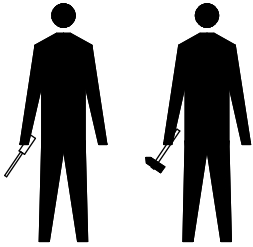
KS3







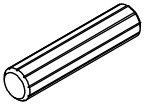
<p>A1 x30</p>  <p>Ø8x35mm</p>	<p>B1 x30</p>  <p>Ø5x38mm</p>	<p>C1 x30</p>  <p>Ø15x12mm</p>	<p>F2 x12</p>  <p>40mm</p>	<p>G1 x67</p>  <p>26mm</p>
<p>J x12</p>  <p>Ø21mm</p>	<p>K1 x12</p>  <p>Ø6,4x50mm</p>	<p>N2 x1</p>  <p>4mm HEX</p>	<p>T4 x1</p>  <p>75x28x16 mm</p>	<p>P2 x6</p>  <p>350mm</p>
<p>W2 x44</p>  <p>Ø3,5x16mm</p>	<p>W5 x14</p>  <p>Ø4x30mm</p>	<p>Y1 x6</p>  <p>Ø8x1,5mm</p>	<p>Y5 x6</p>  <p>Ø15x20mm</p>	



No.	L[mm]	W[mm]	H[mm]	PCS	BOX
1	350	120	15	3	2/2
2	350	120	15	3	2/2
3	336	120	15	3	2/2
4	360	355	2,5	3	1/2
5	395	200	15	3	2/2
6	503	430	22	1	2/2
7	470	371	15	1	1/2
8	470	400	15	1	1/2
9	469	60	15	1	2/2
10	470	70	28	2	2/2
11	470	70	28	1	2/2
12	1000	50	22	1	1/2
13	1000	50	22	1	1/2
14	1000	400	15	1	1/2
15	1000	400	15	1	1/2
16	496	960	2,5	1	1/2

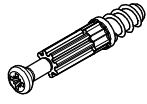
1

A1 x8

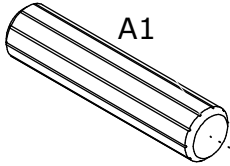
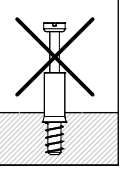
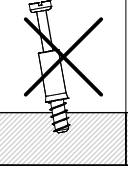
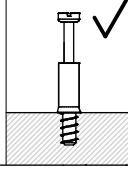
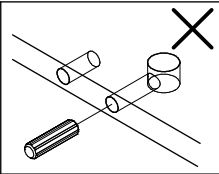
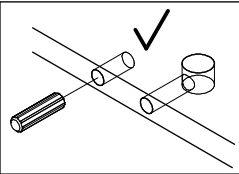
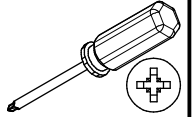
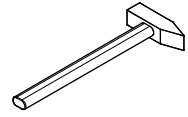


Ø8x35mm

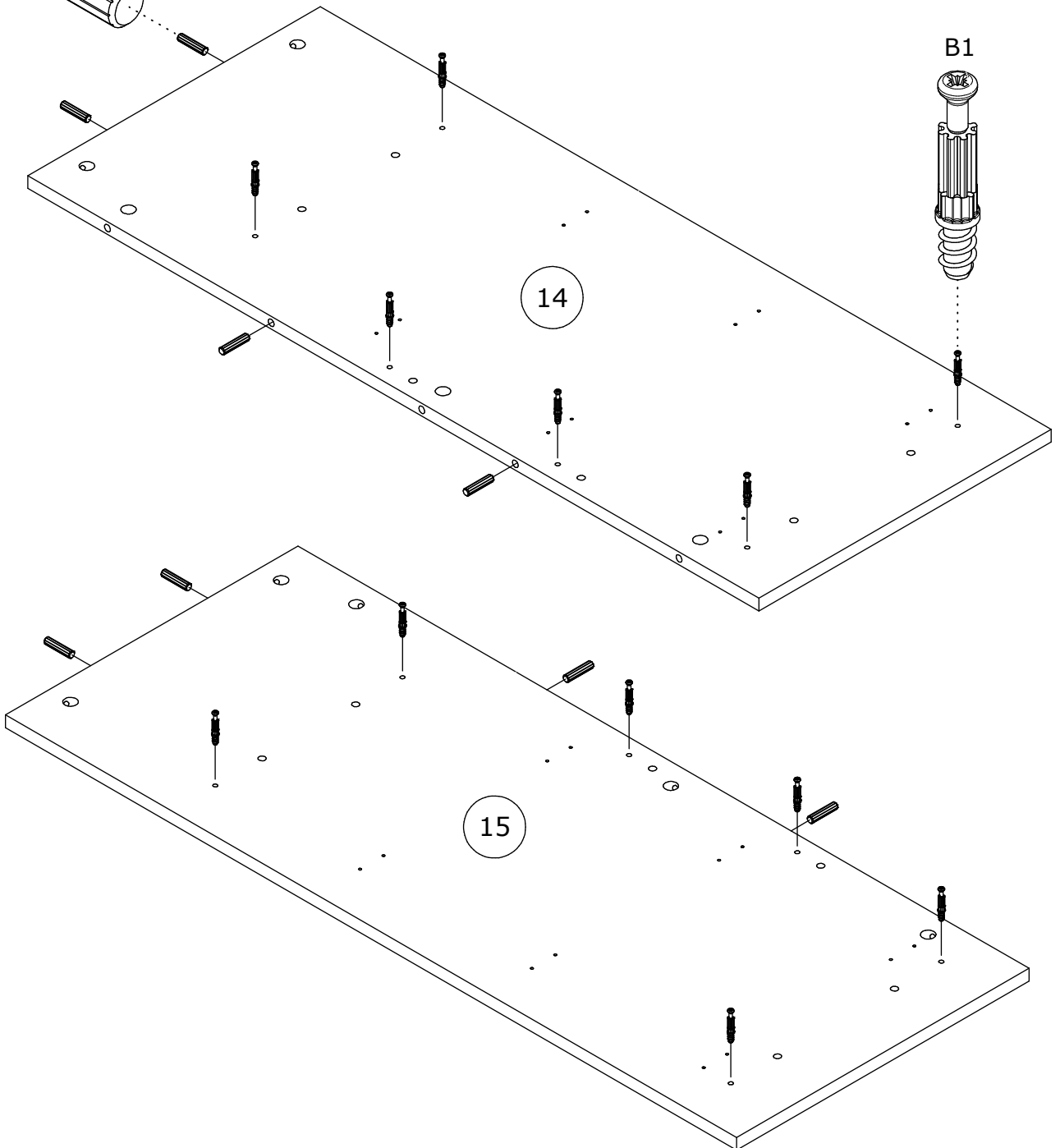
B1 x12



Ø5x38mm



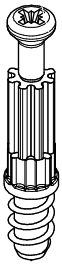
A1



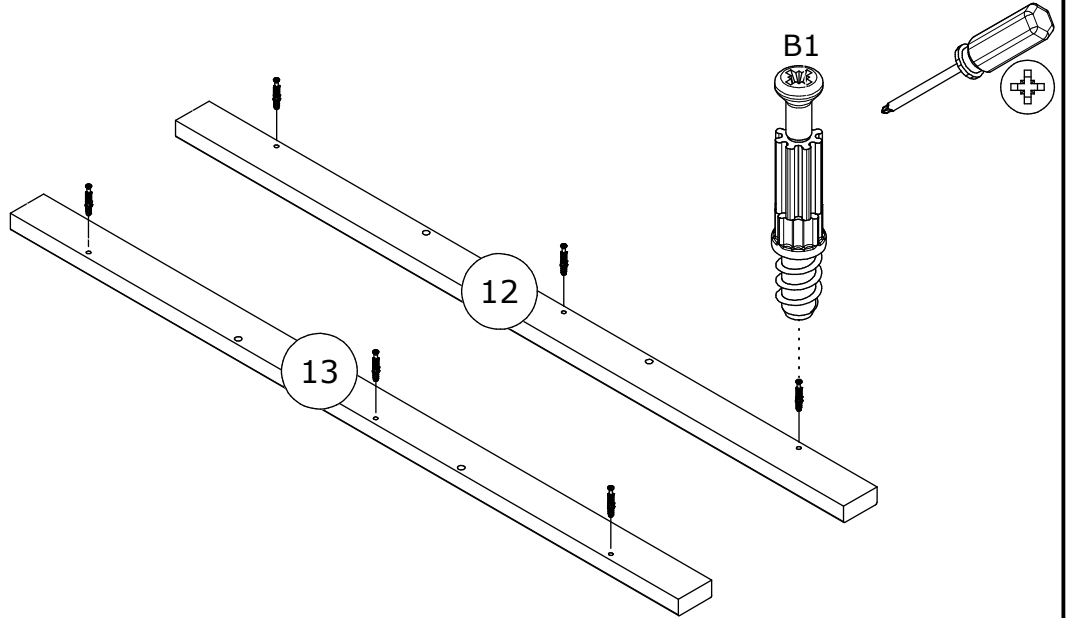
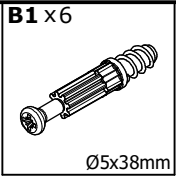
14

15

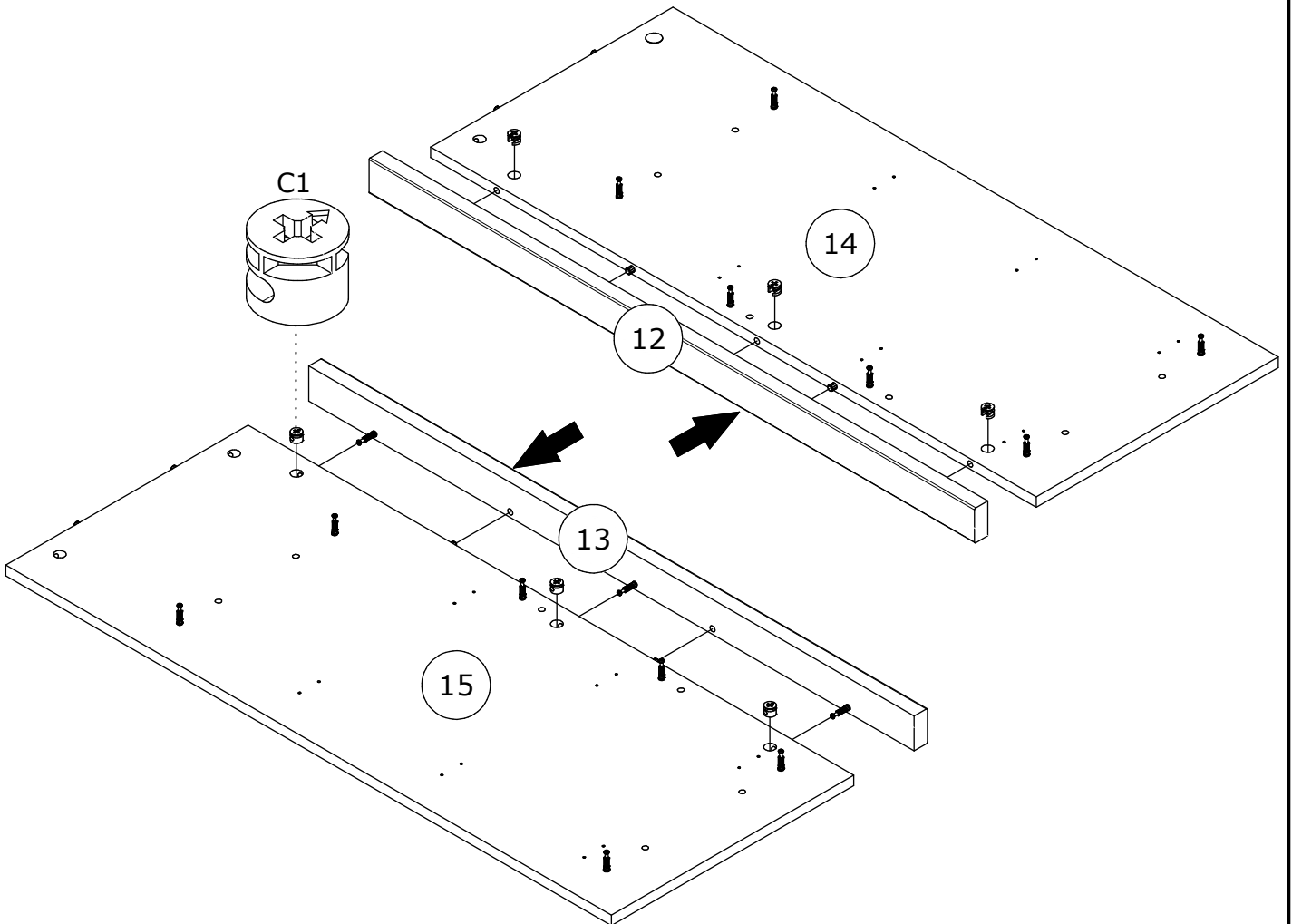
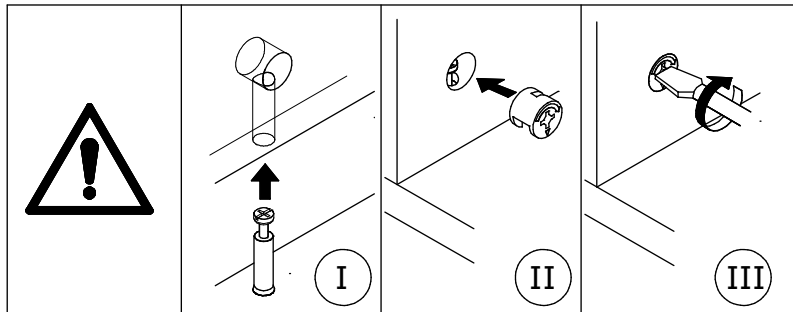
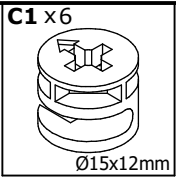
B1



2

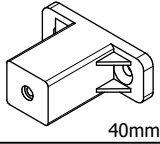


3

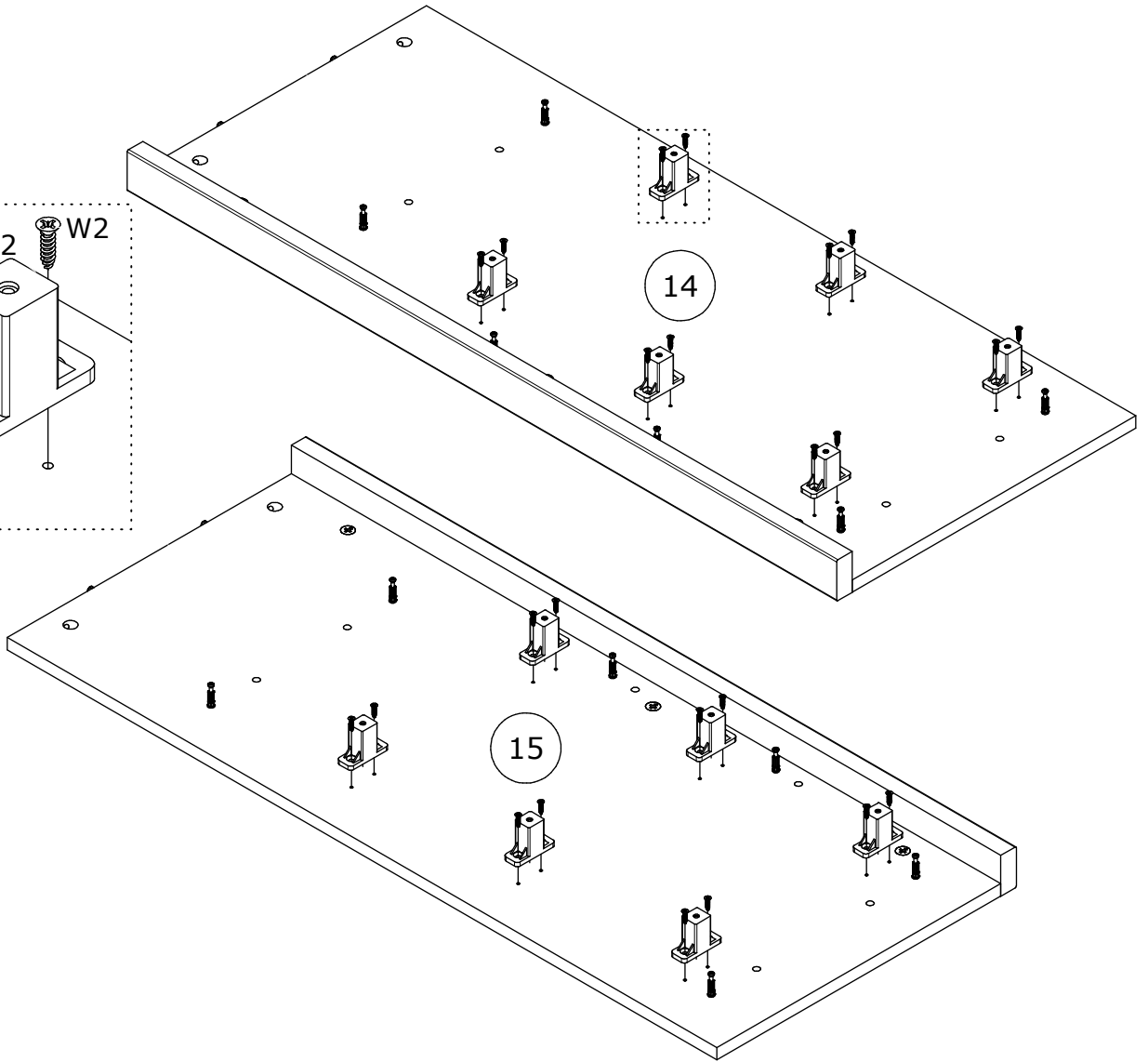
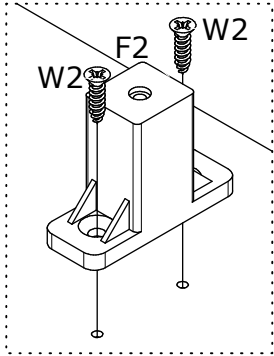
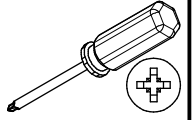
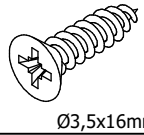


4

F2 x12

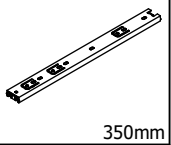


W2 x24

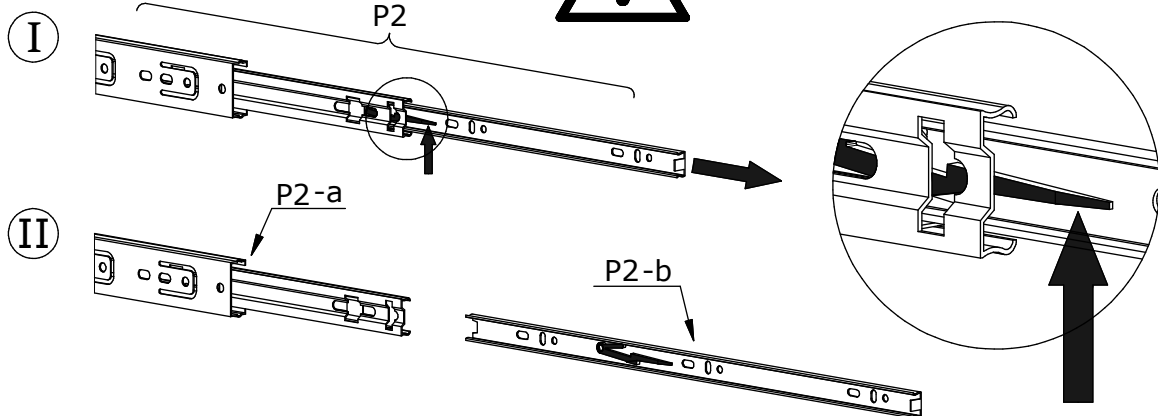


5

P2 x6

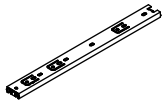


$P2 = P2-a + P2-b$



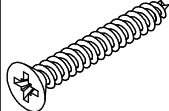
6

P2-a x 6

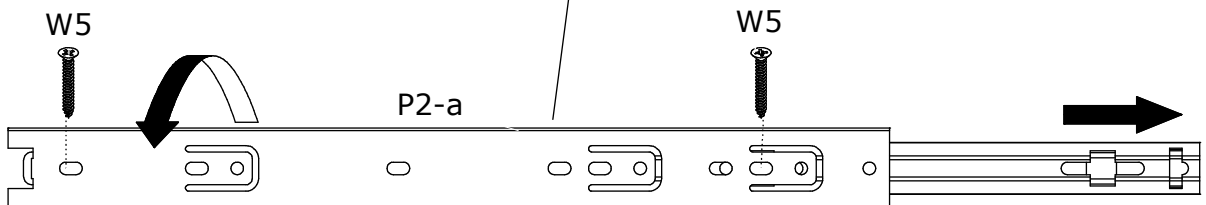
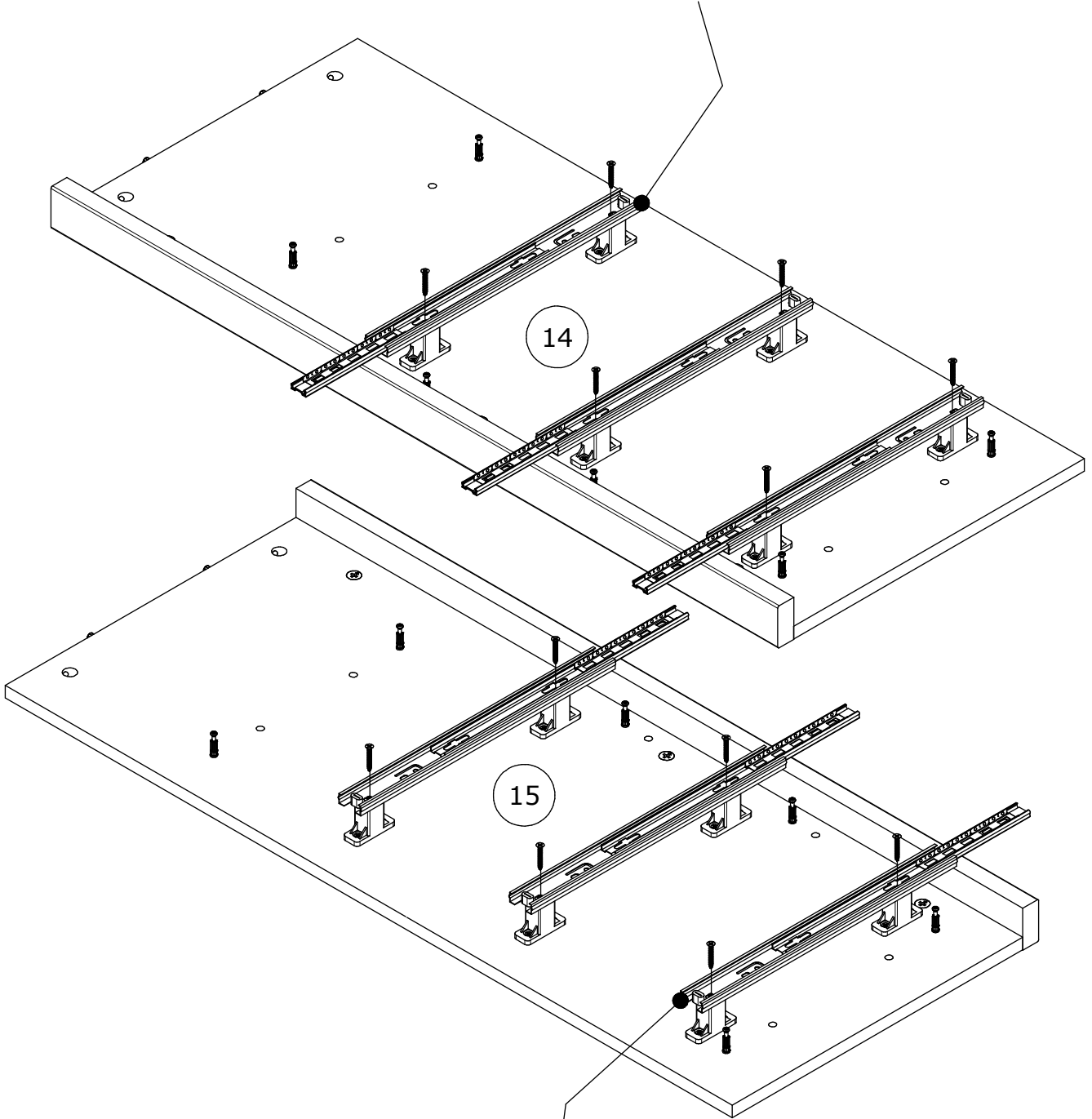
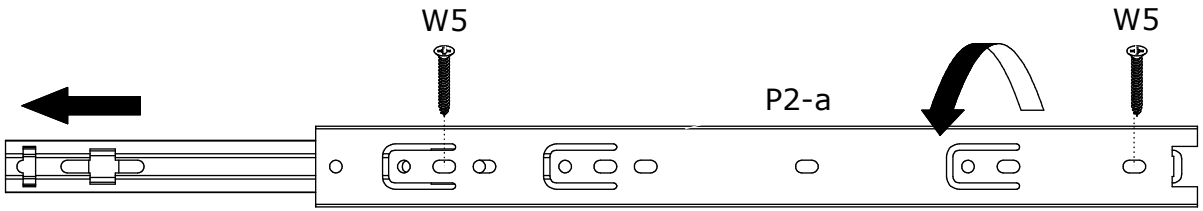
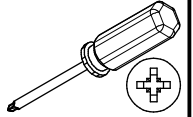


350mm

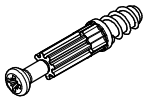
W5 x 12

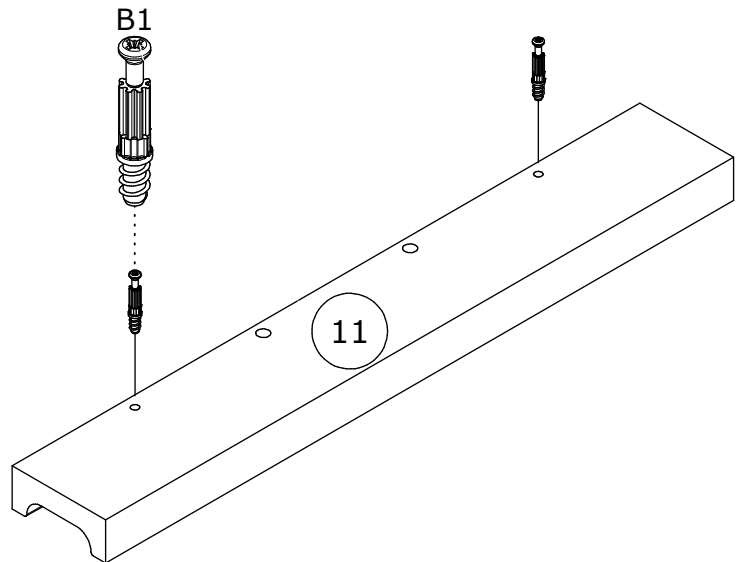


Ø4x30mm

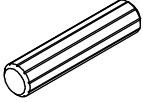


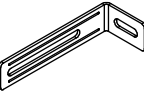
7

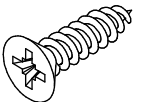
B1 x2

Ø5x38mm

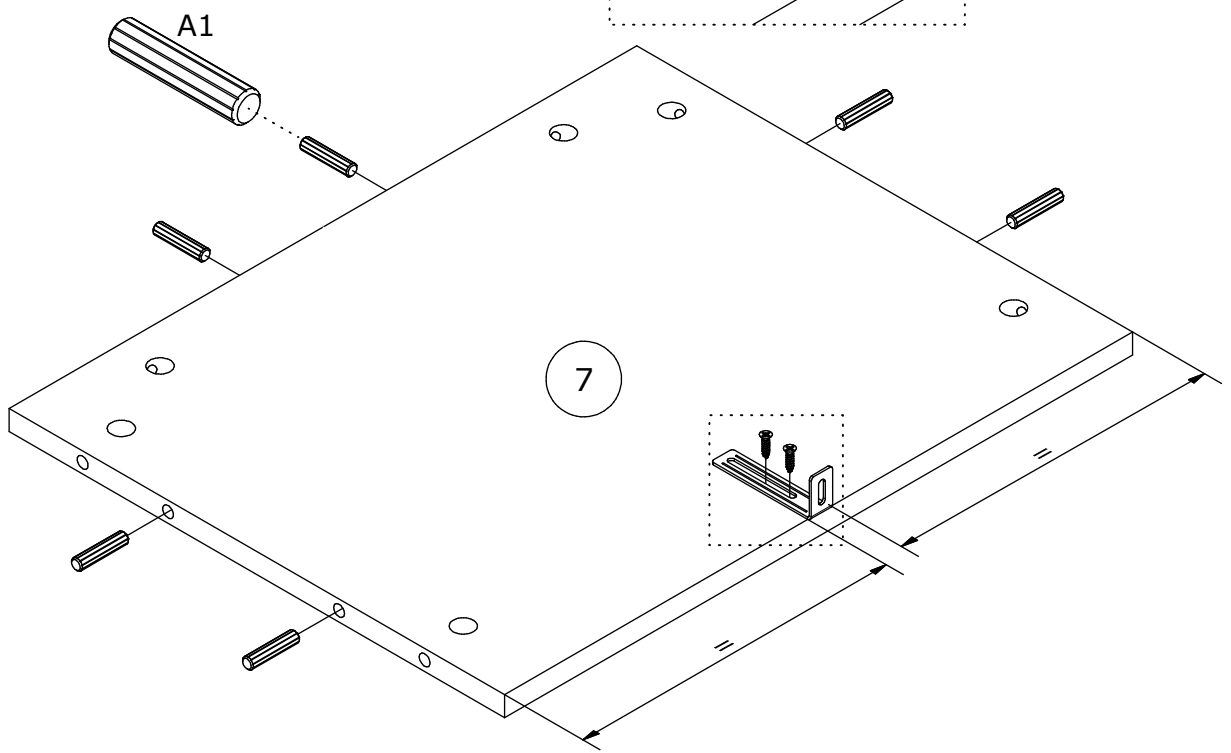
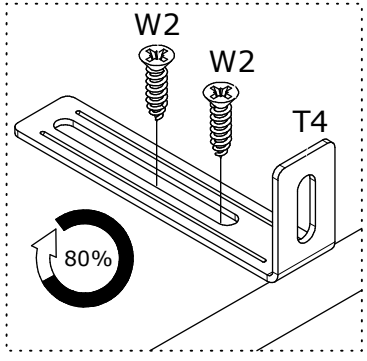
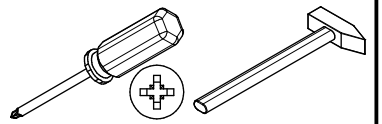
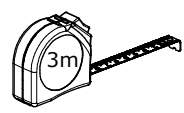


8

A1 x6

Ø8x35mm

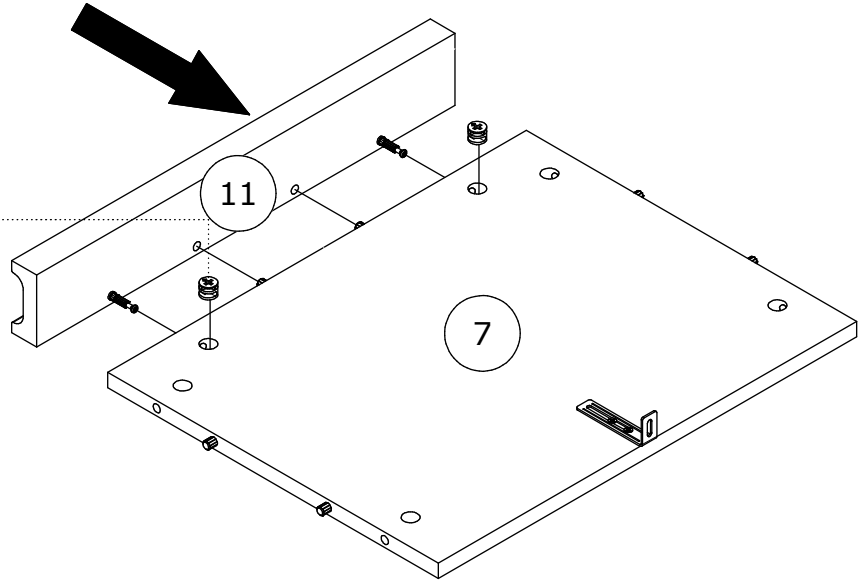
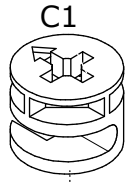
T4 x1

75x28x16 mm

W2 x2

Ø3,5x16mm



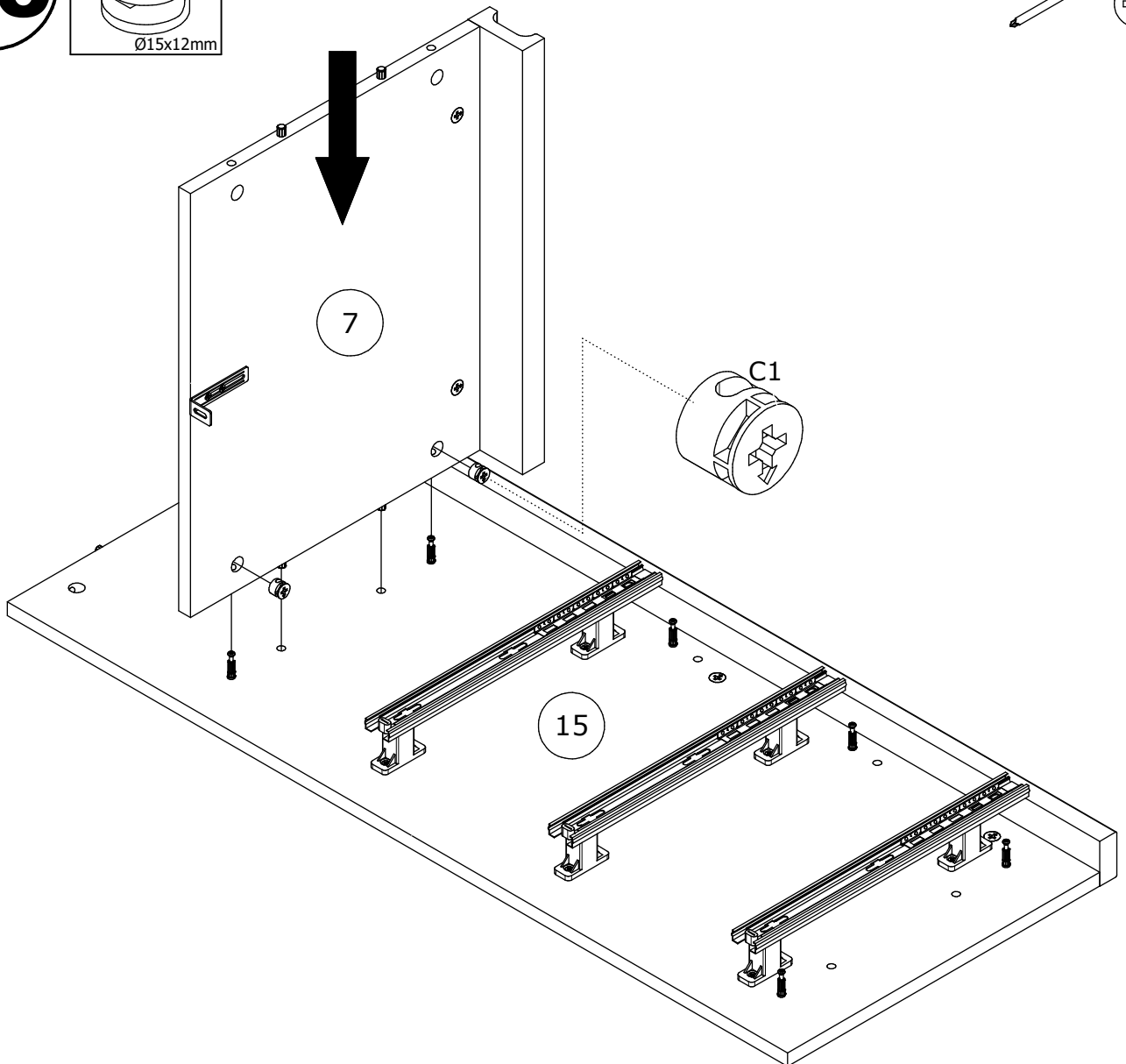
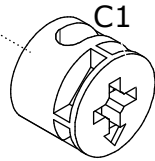
9

C1 x2
Ø15x12mm

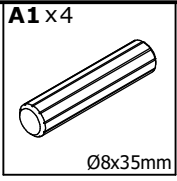


10

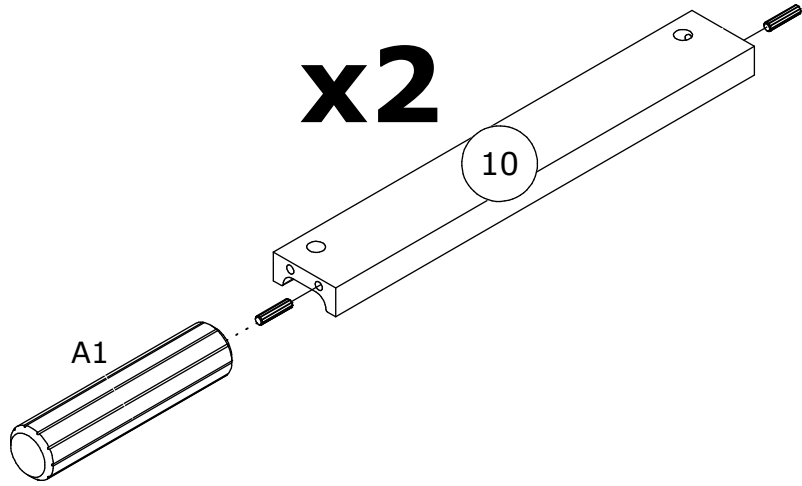
C1 x2
Ø15x12mm



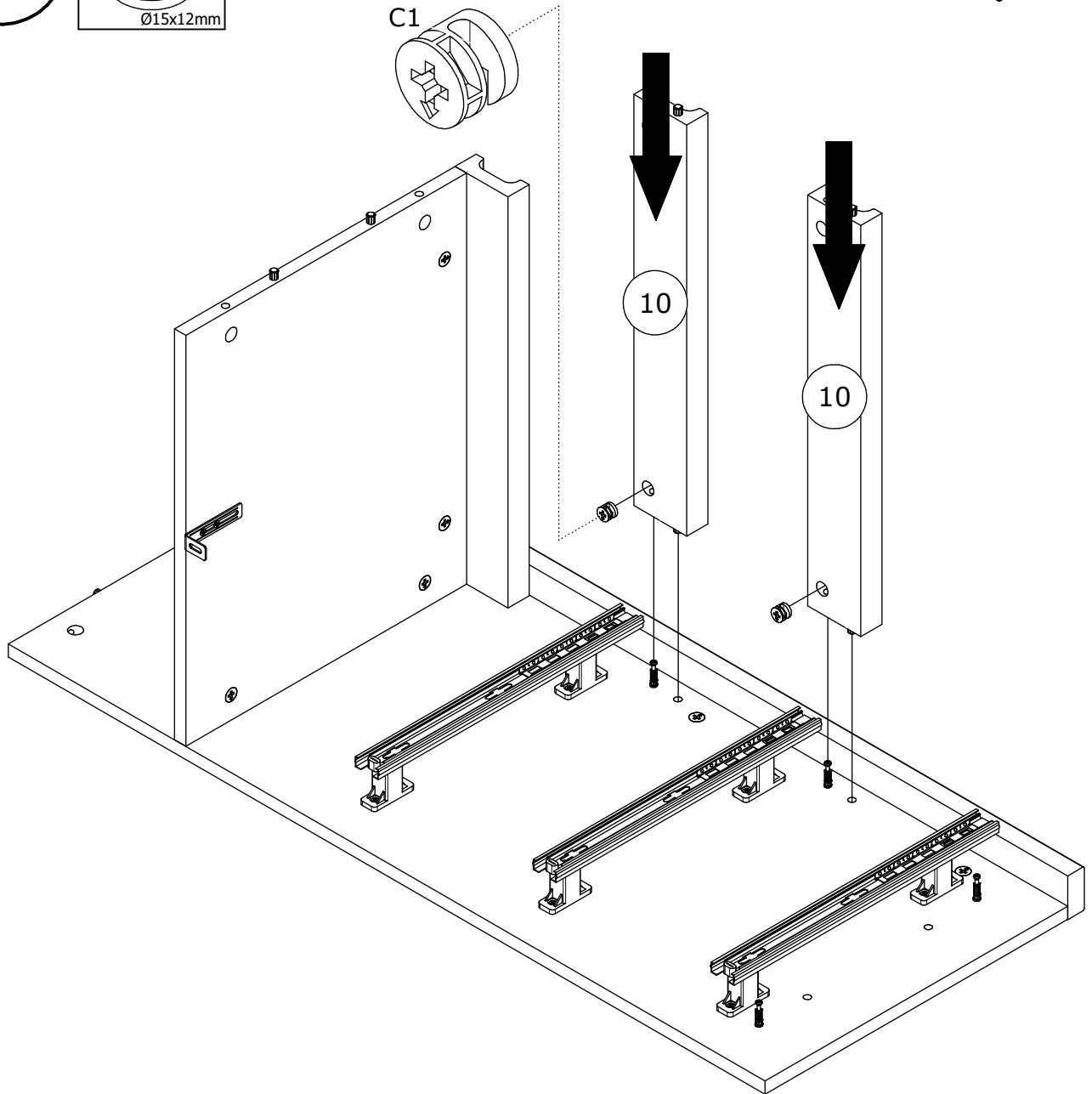
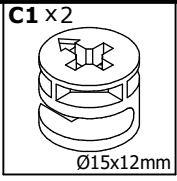
11



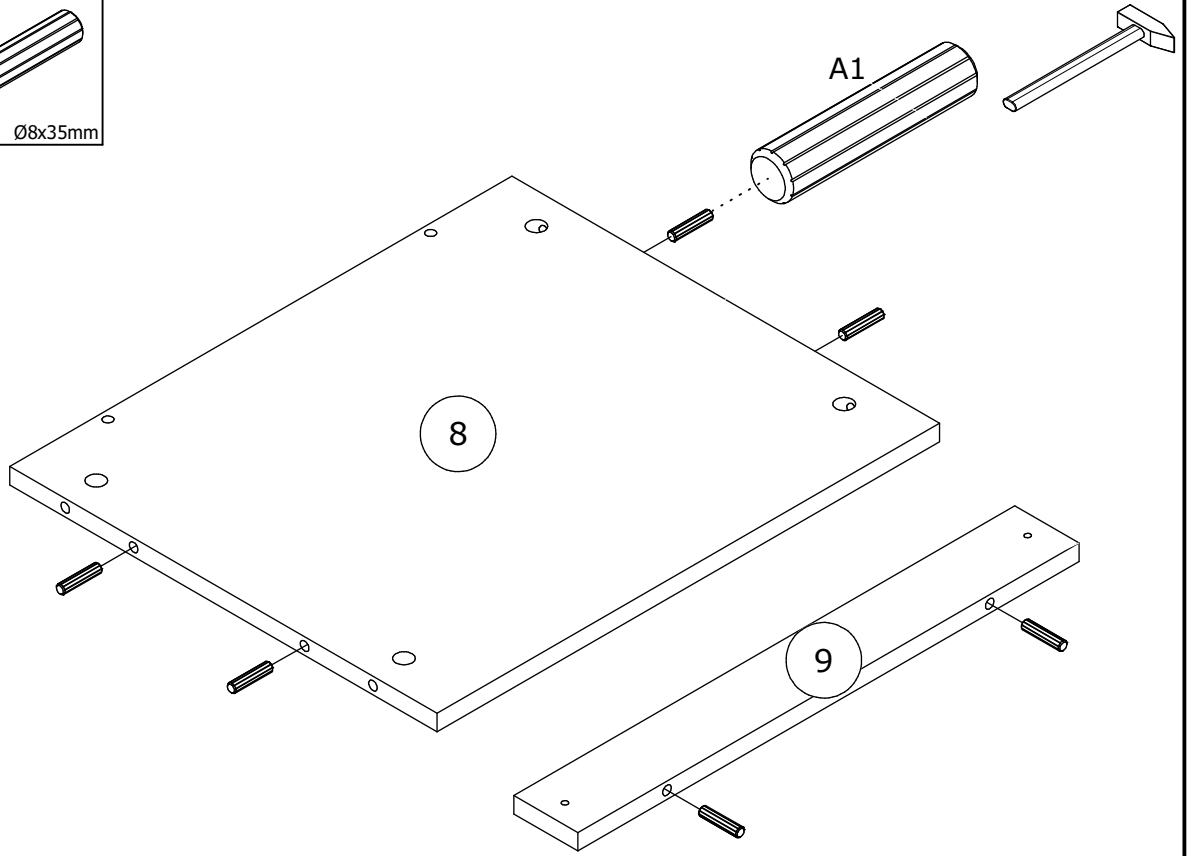
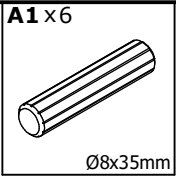
x2



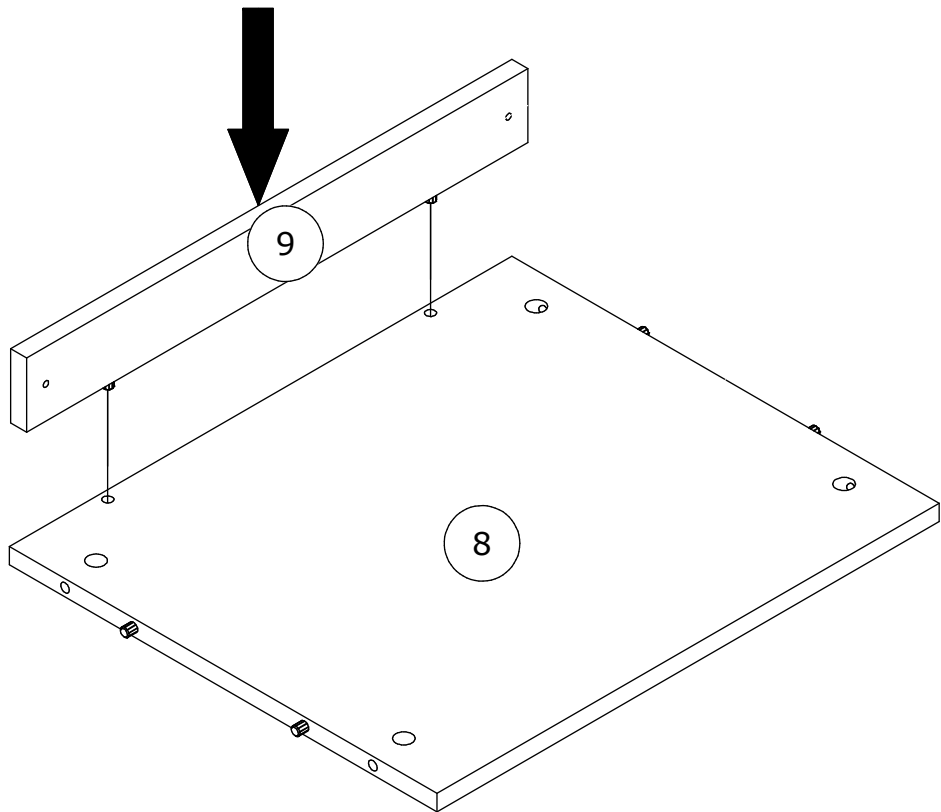
12



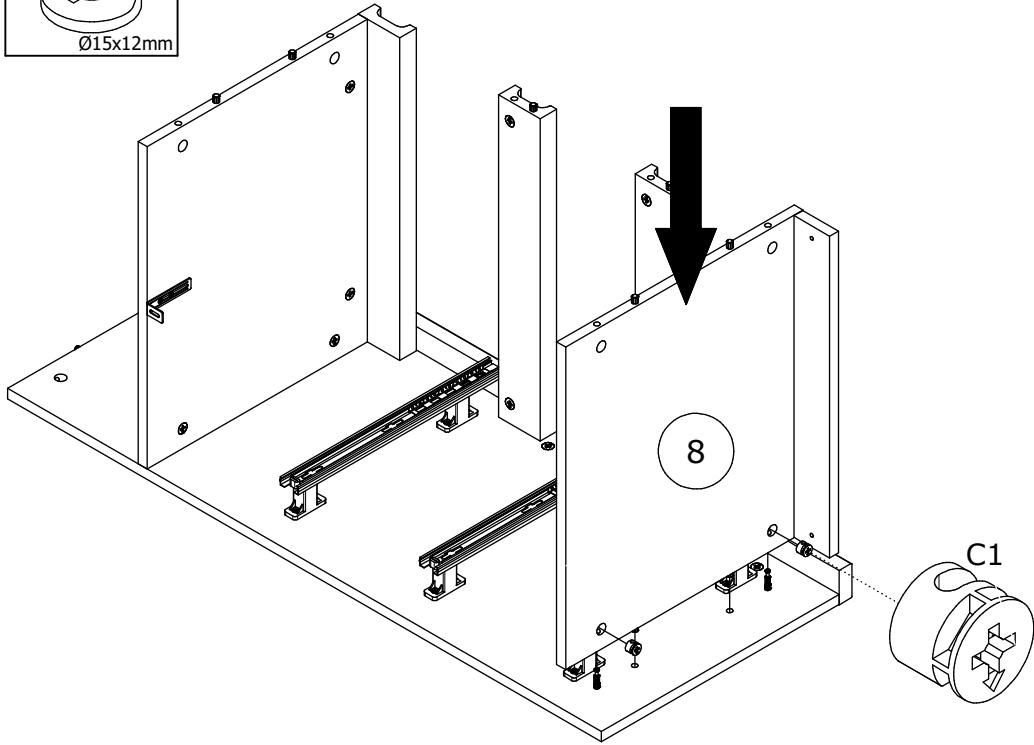
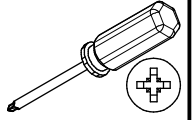
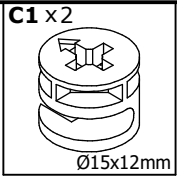
13



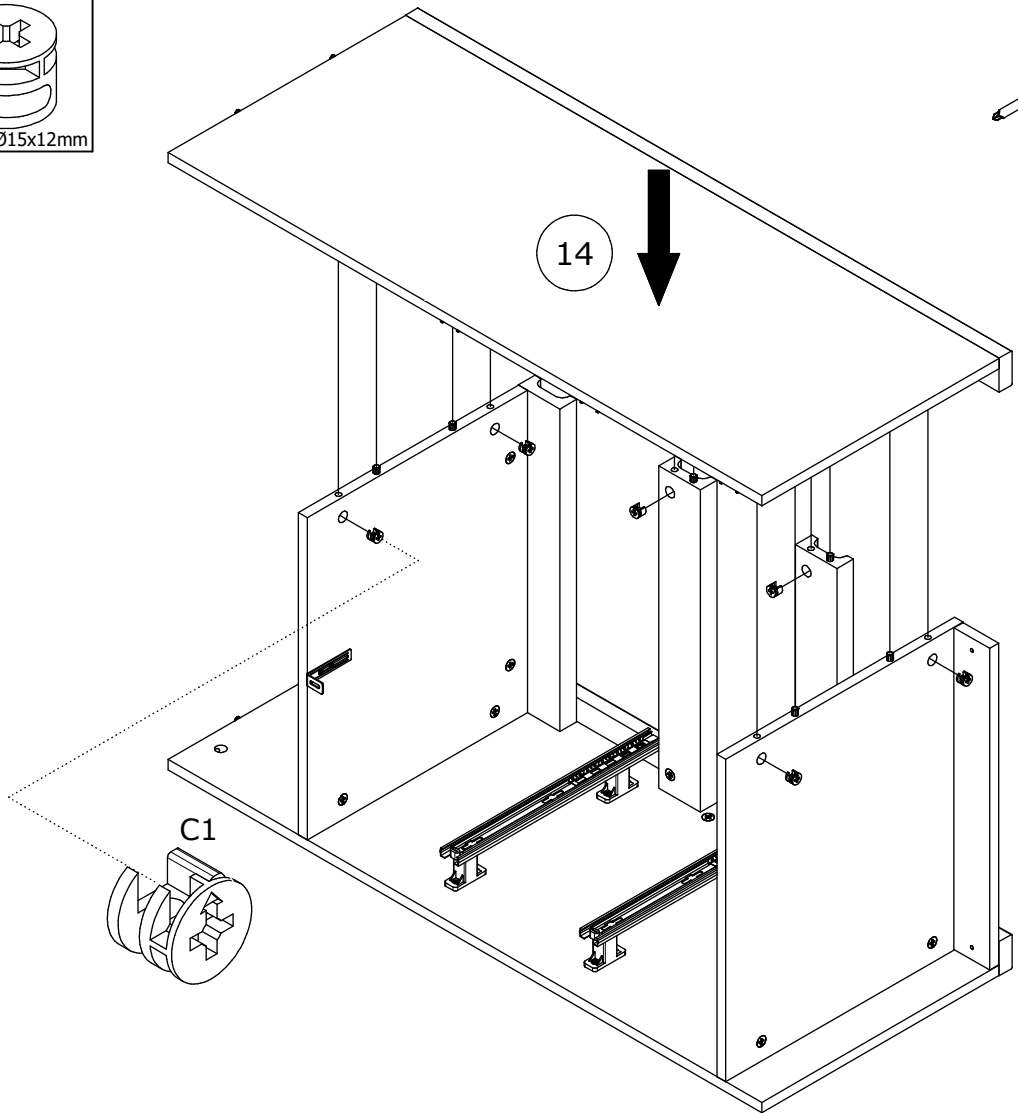
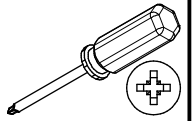
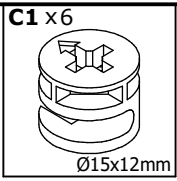
14



15

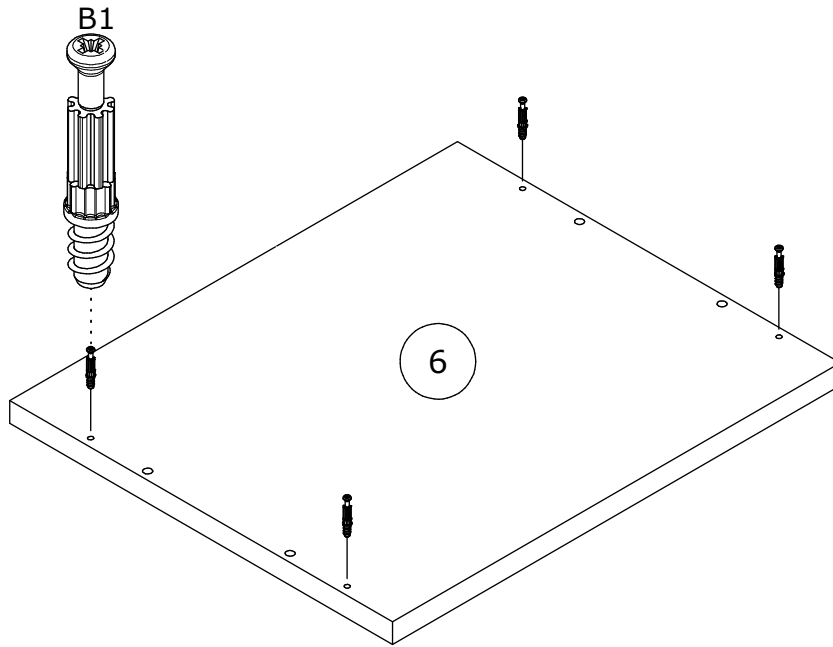


16



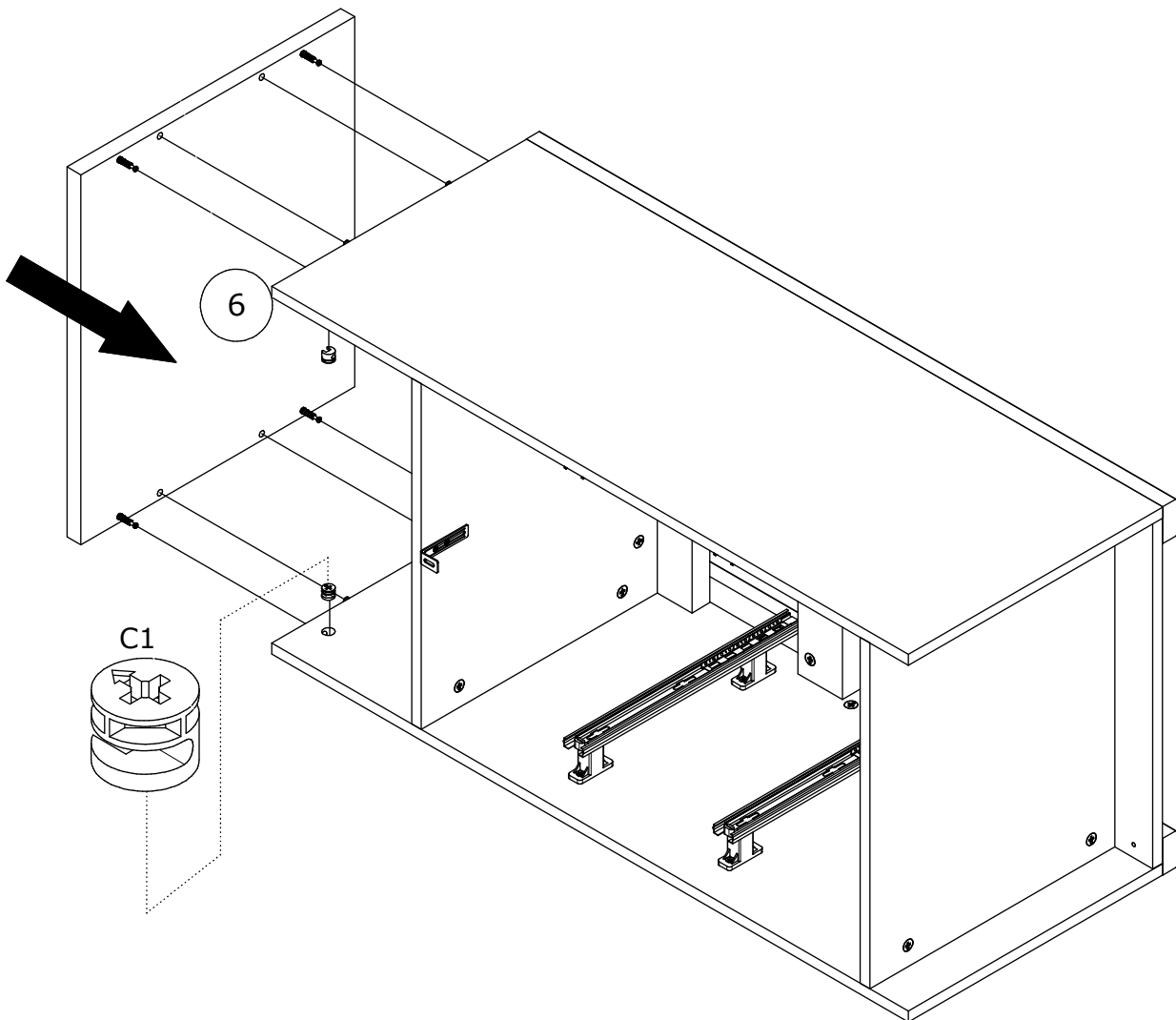
17

B1 x4
Ø5x38mm



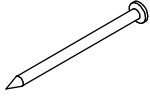
18

C1 x4
Ø15x12mm

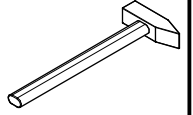
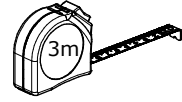


19

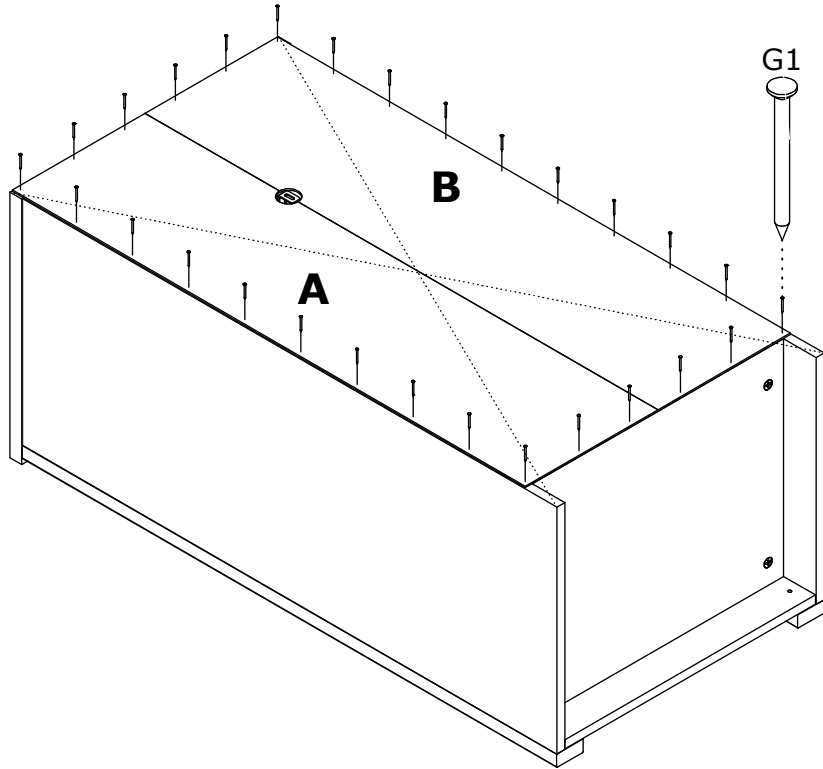
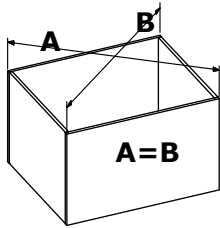
G1x28



26mm

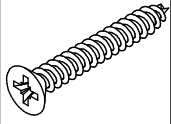


$A=B \equiv 90^\circ$



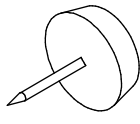
20

W5x2

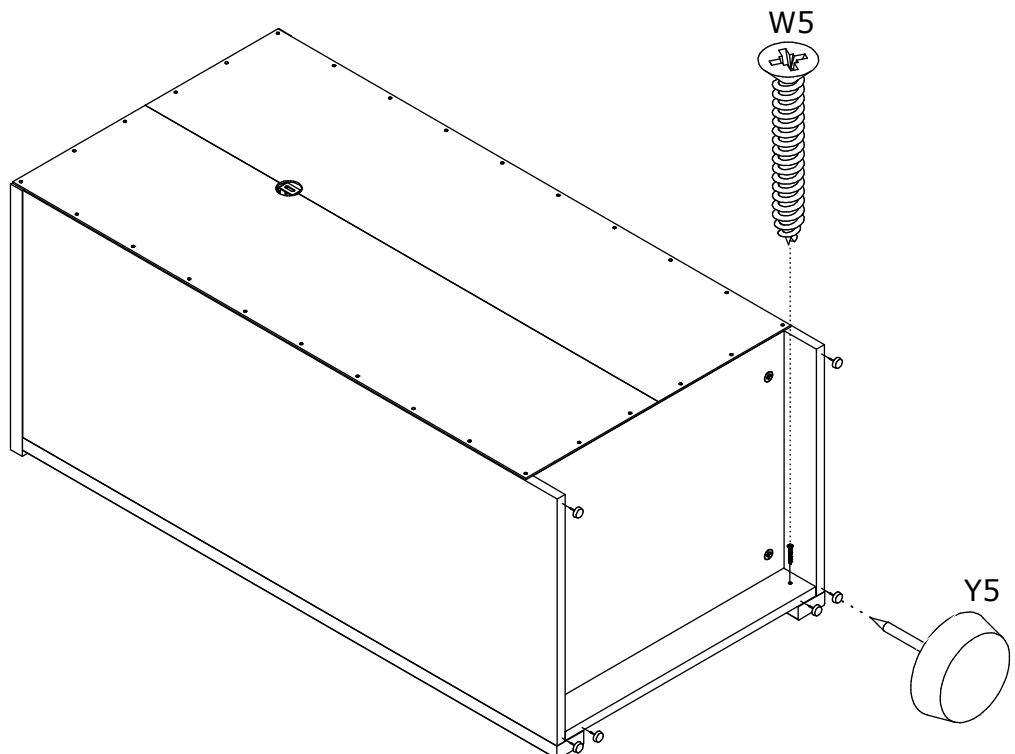
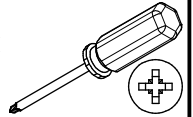
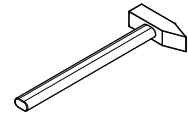


Ø4x30mm

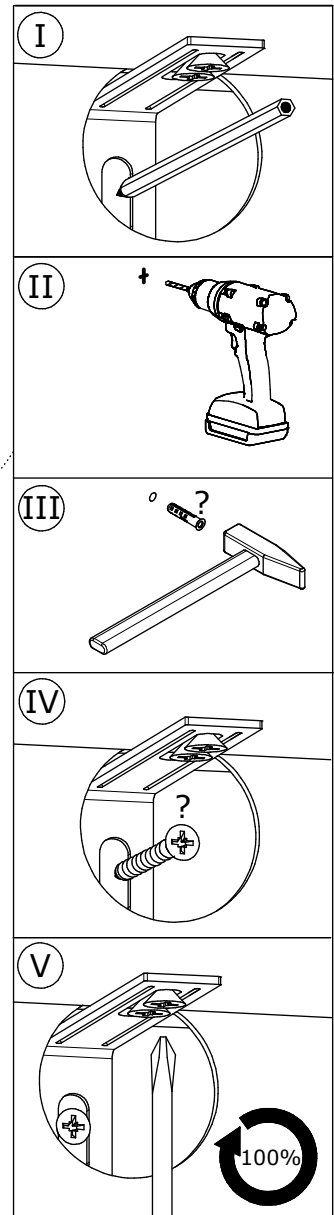
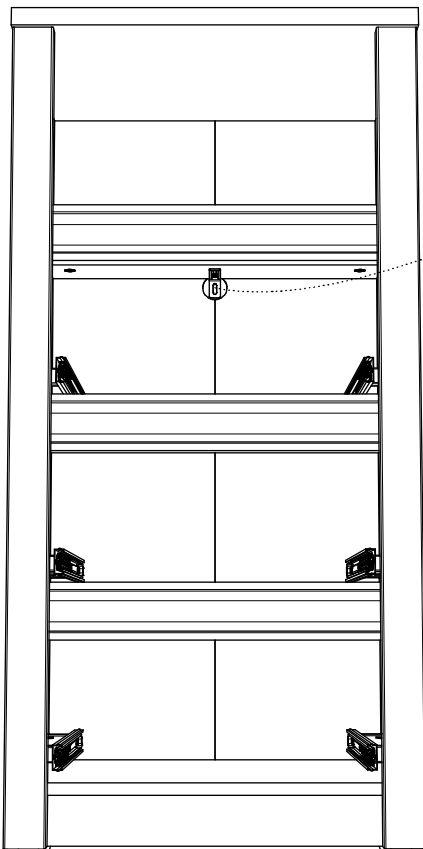
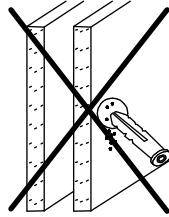
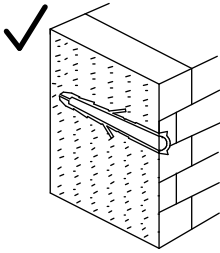
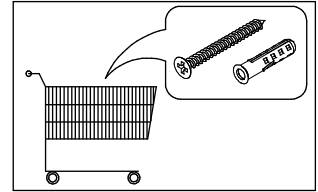
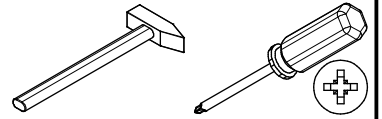
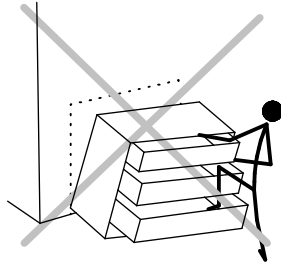
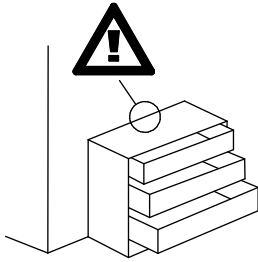
Y5 x6



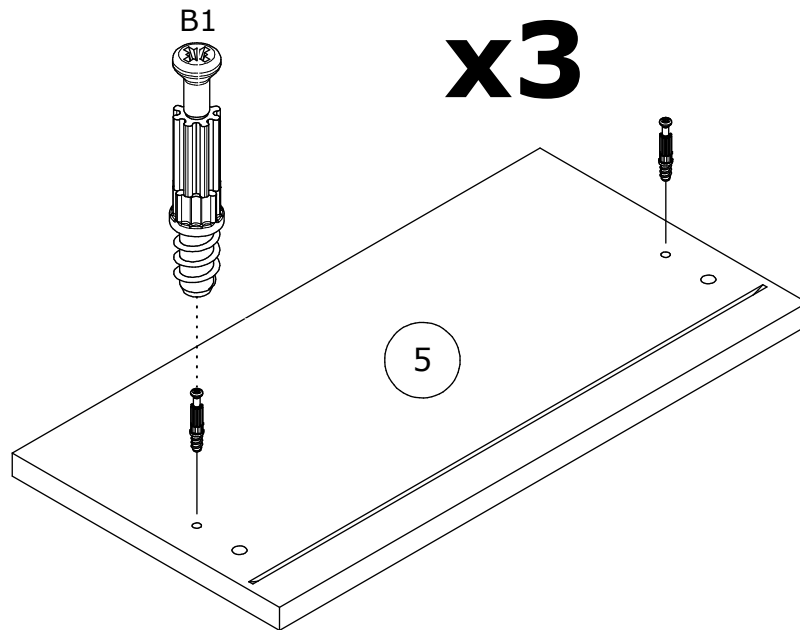
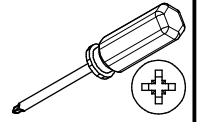
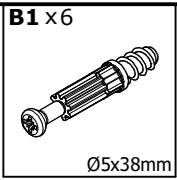
Ø15x20mm



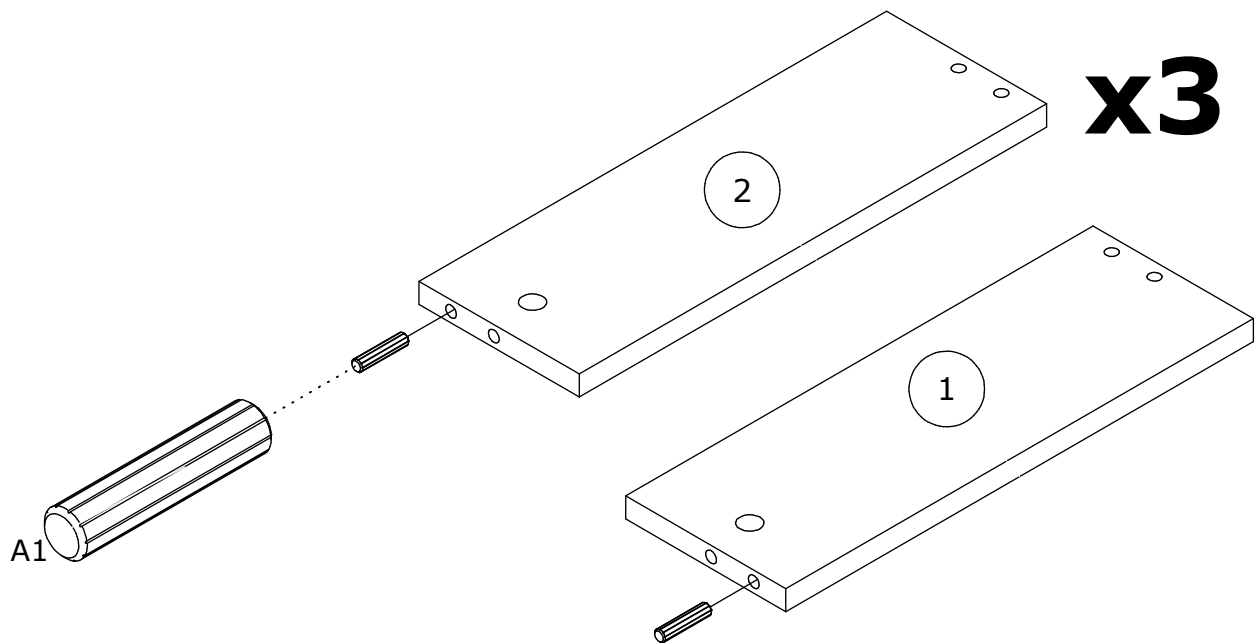
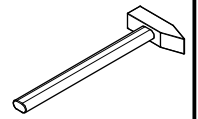
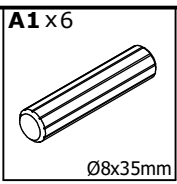
21



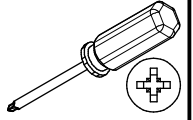
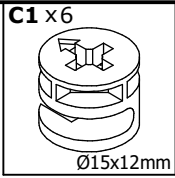
22



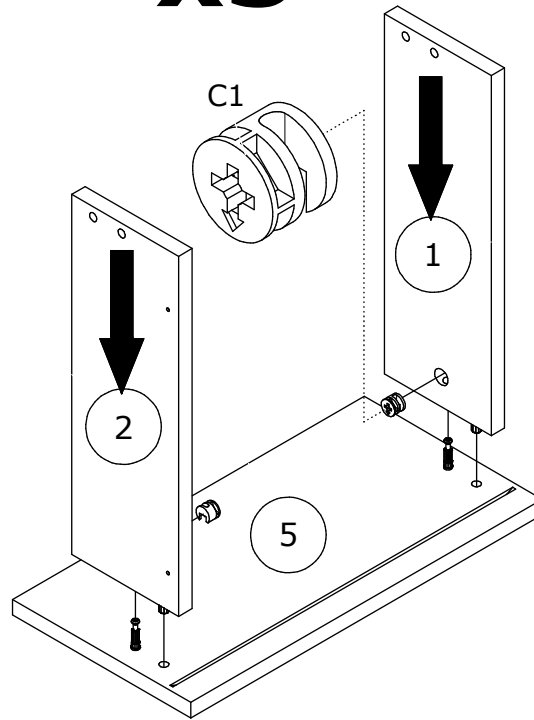
23



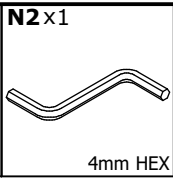
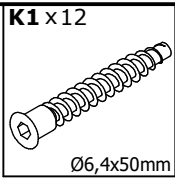
24



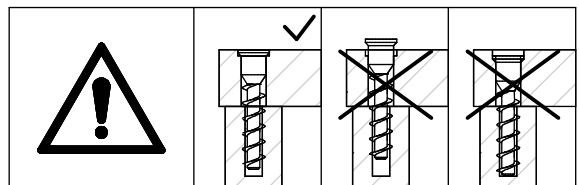
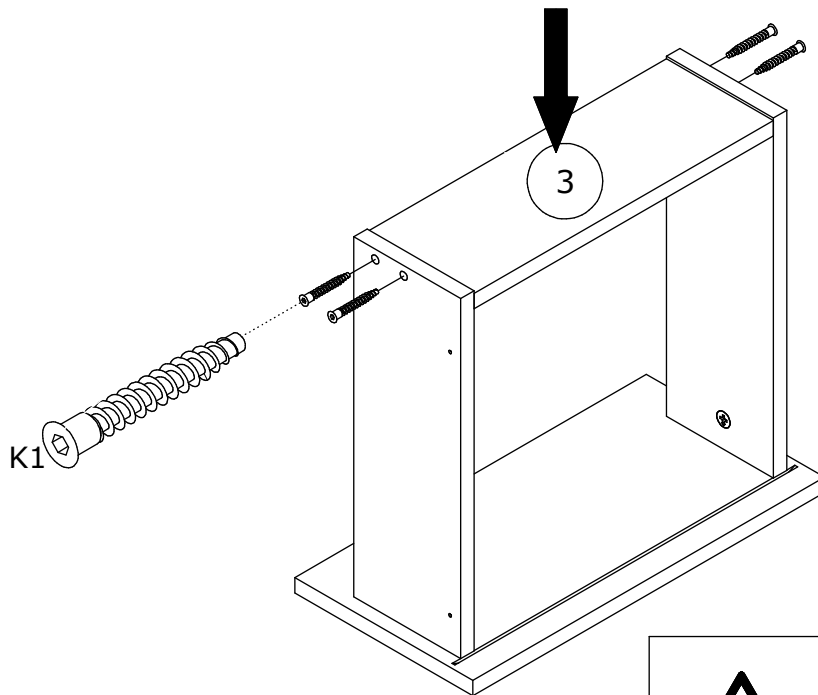
x3



25

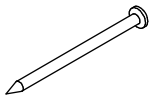


x3

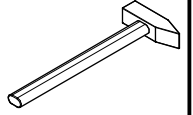
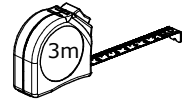


26

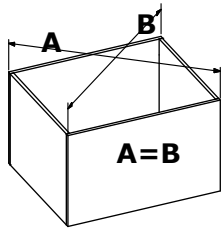
G1 x 39



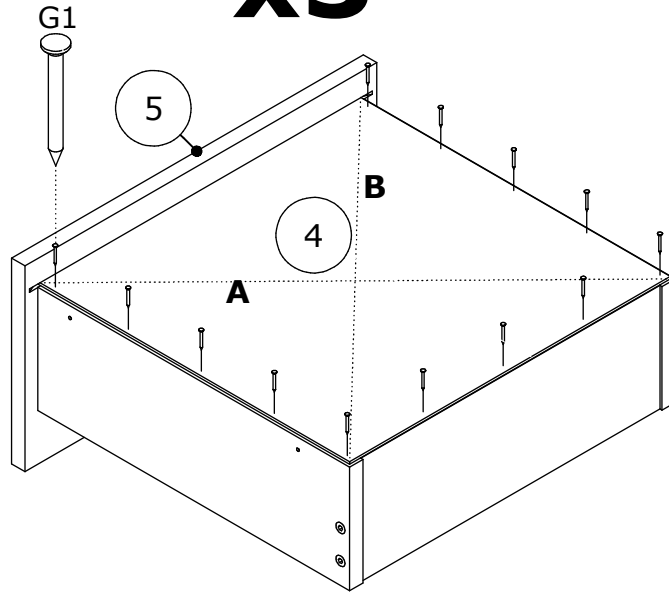
26mm



A=B ≡ 90°

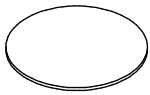


x3



27

J x 6



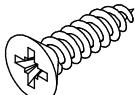
Ø21mm

P2-b x 6

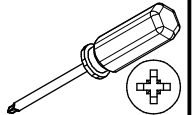


350mm

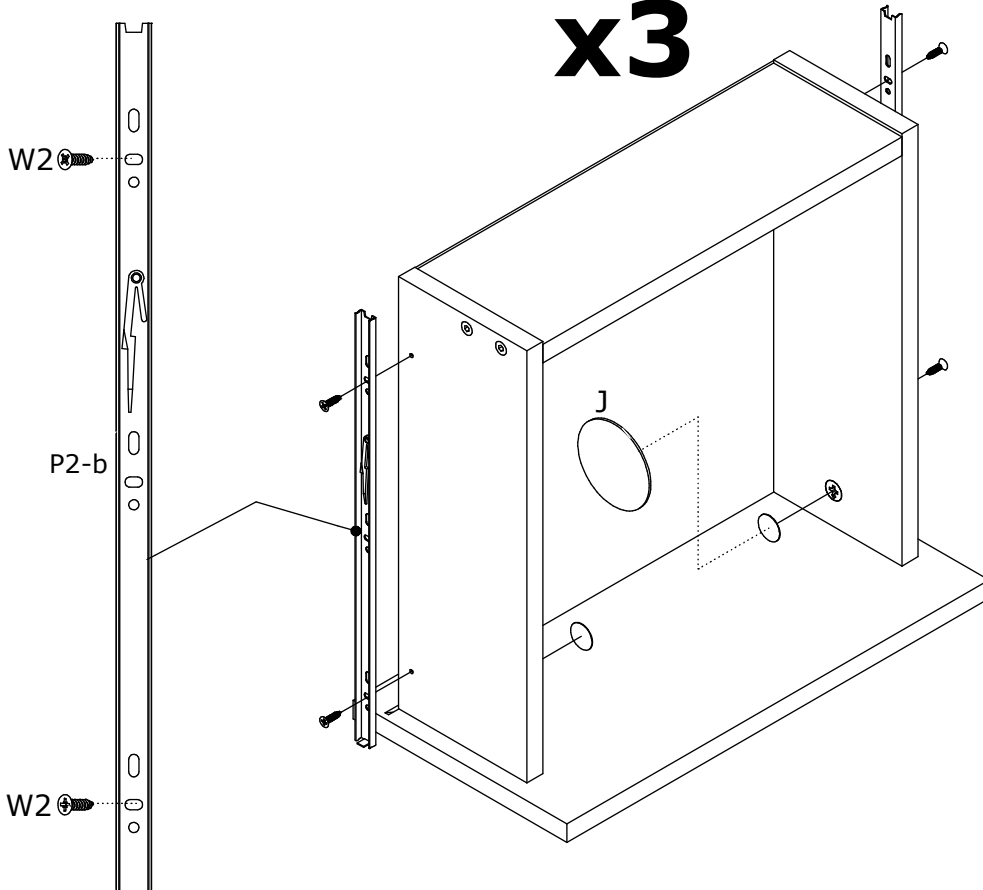
W2 x 12



Ø3,5x16mm

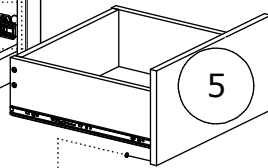
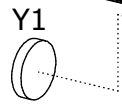
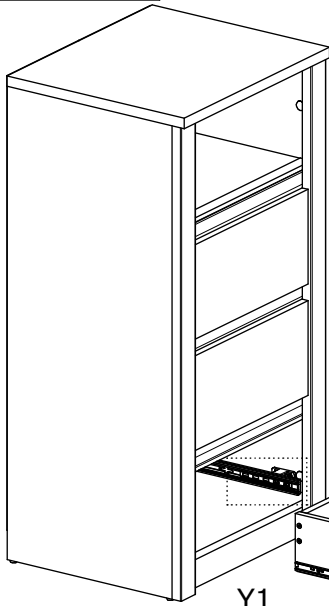
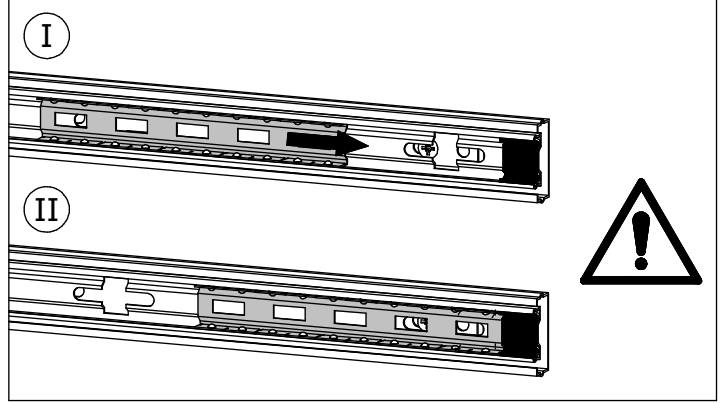
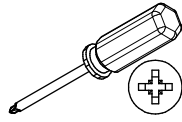


x3



28

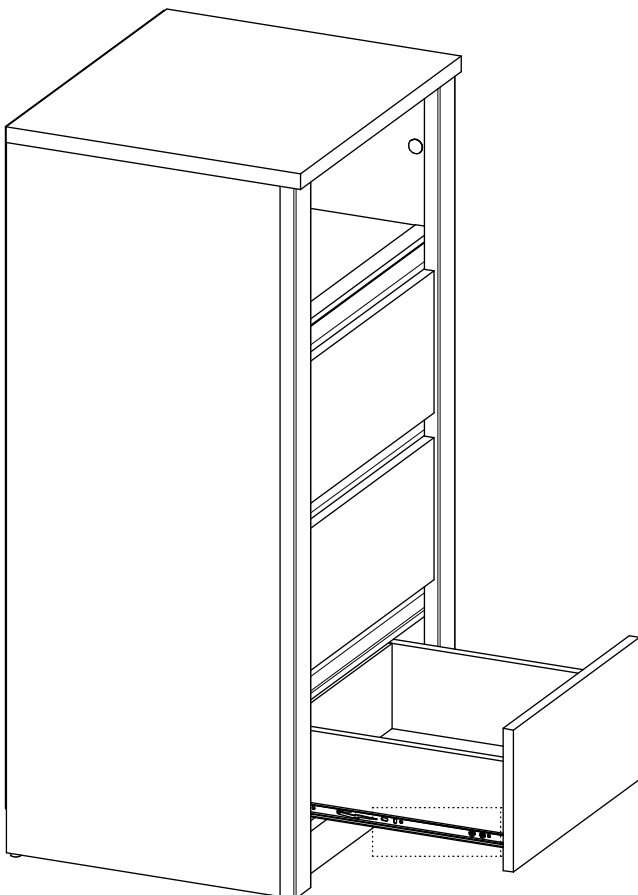
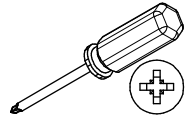
Y1 x6
Ø8x1,5mm



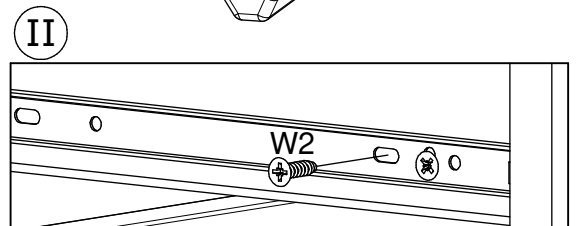
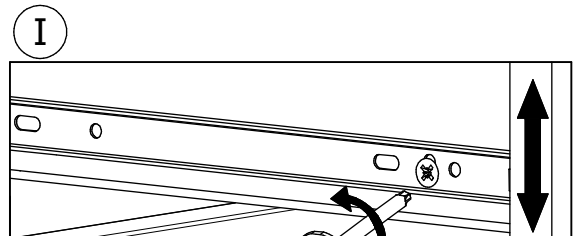
x3

29

W2 x6
Ø3,5x16mm



x3



30

J x 6
Ø21mm

