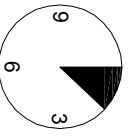
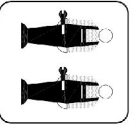
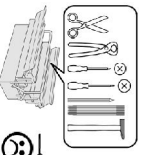
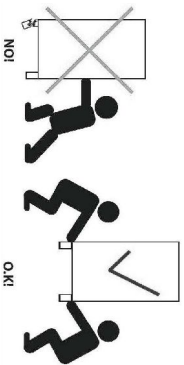
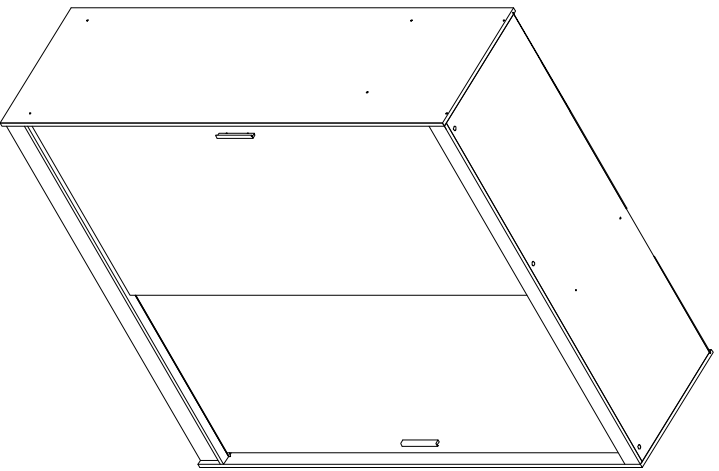
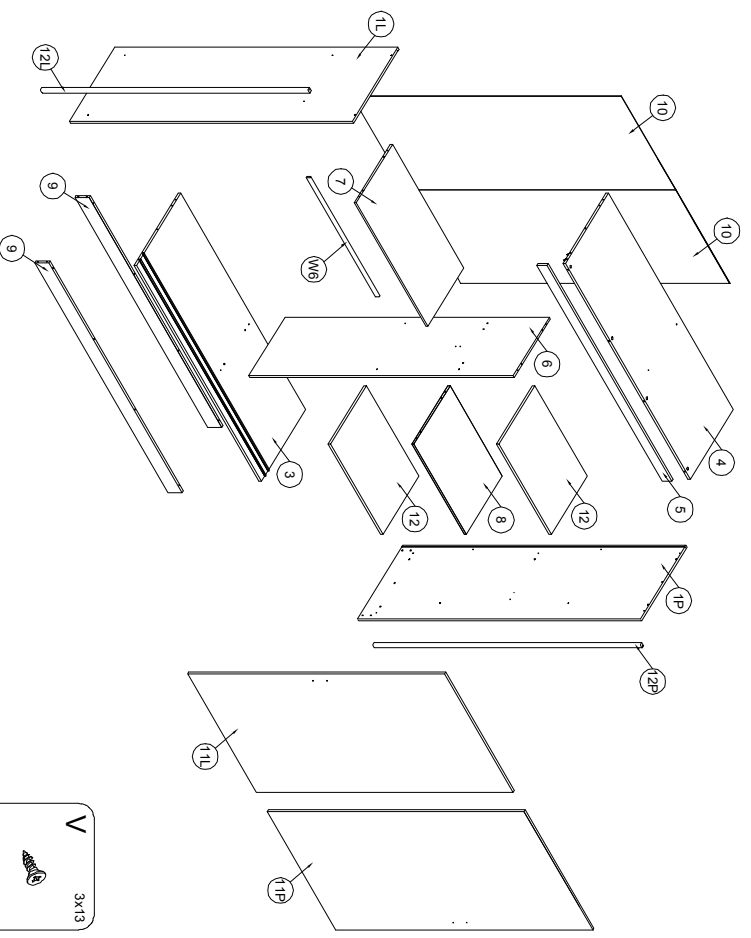


180

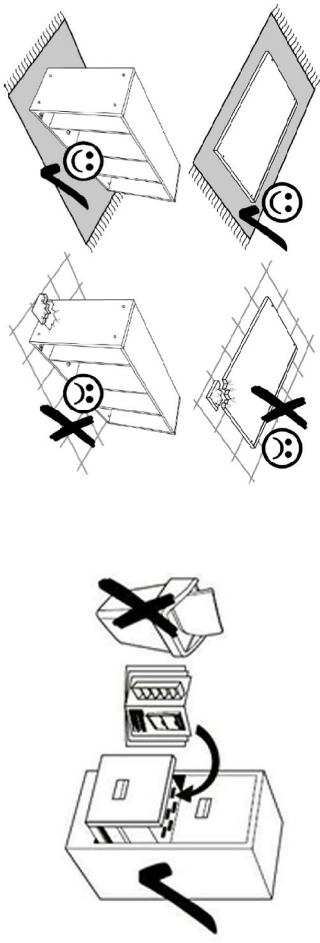


2-2,5

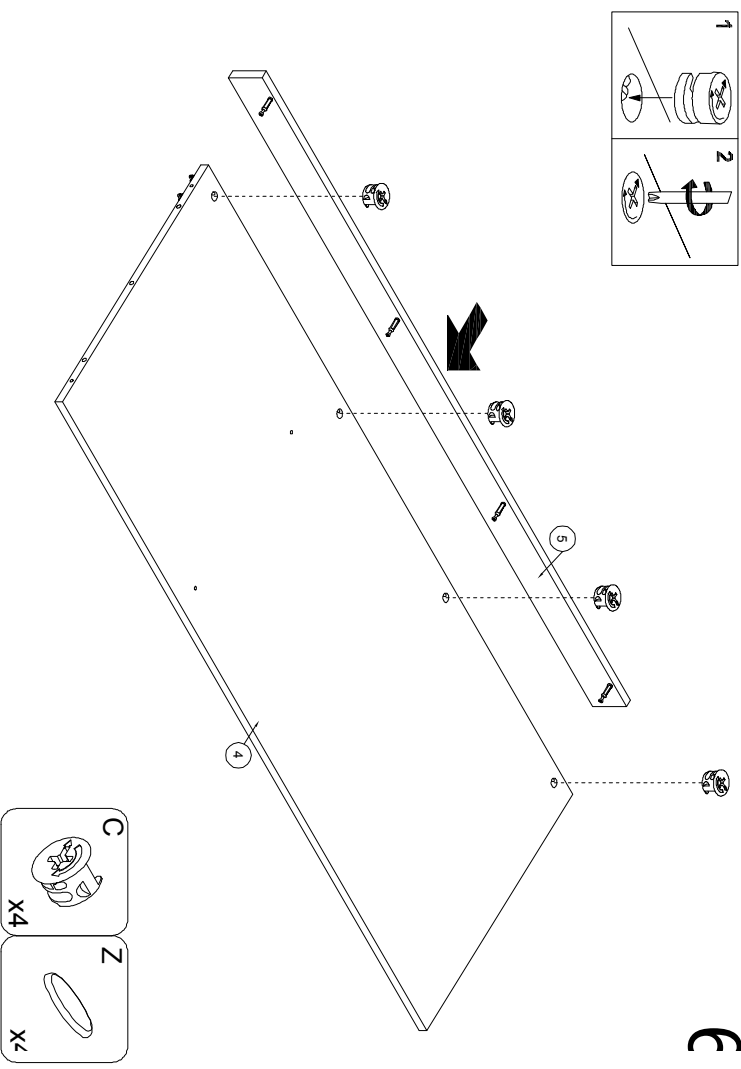
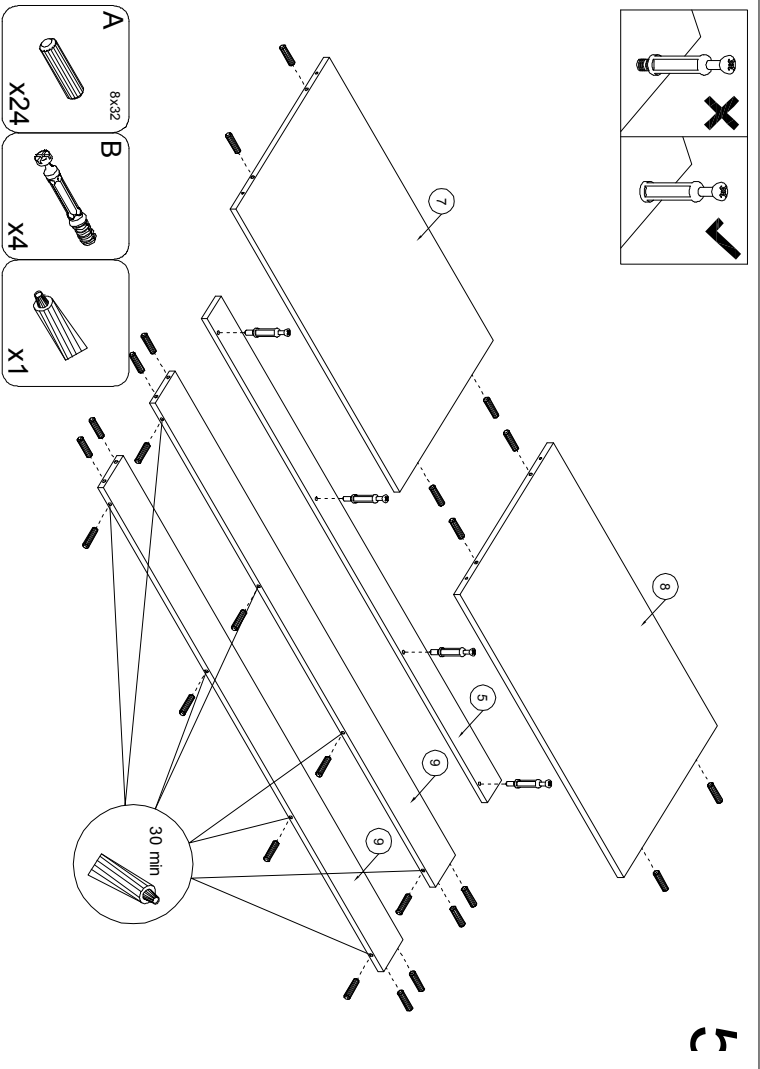
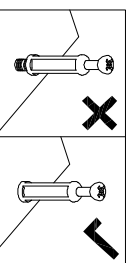
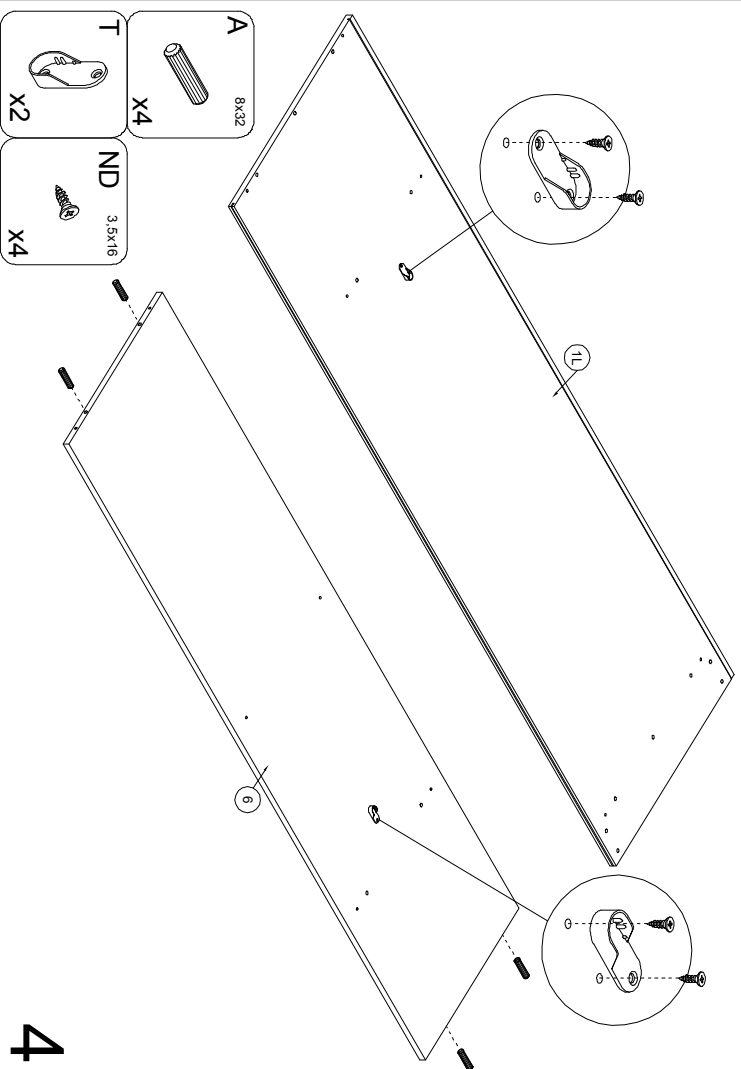
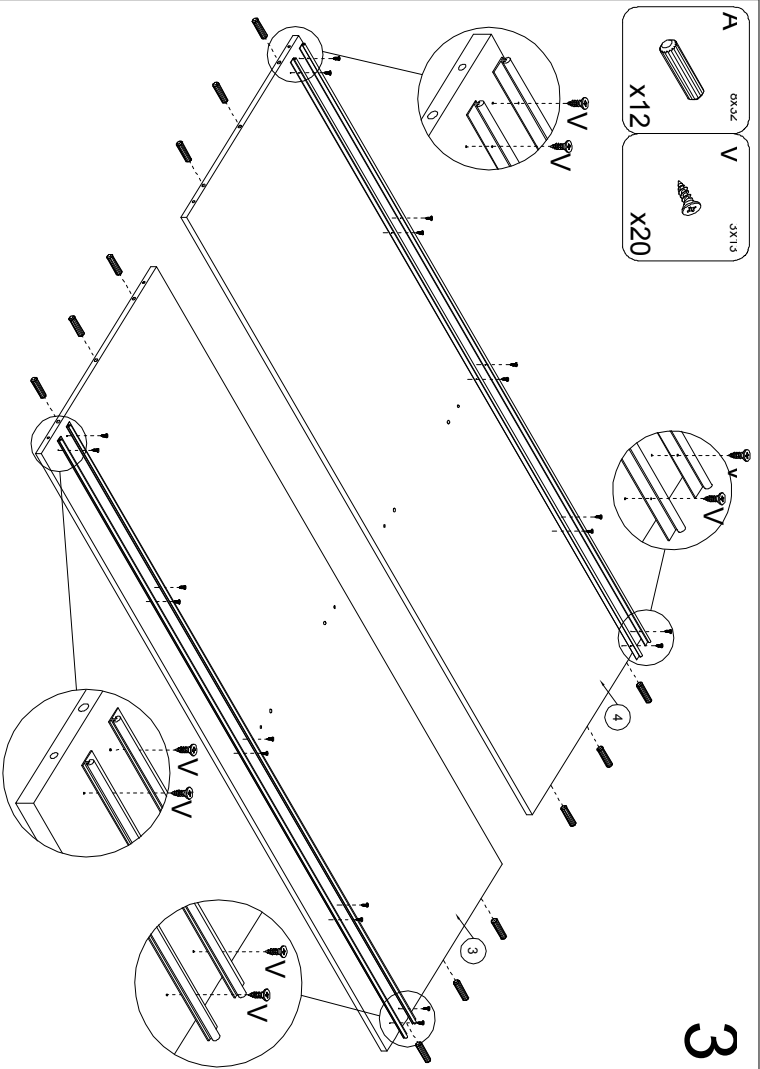
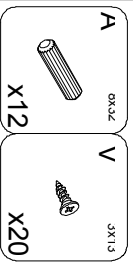
1

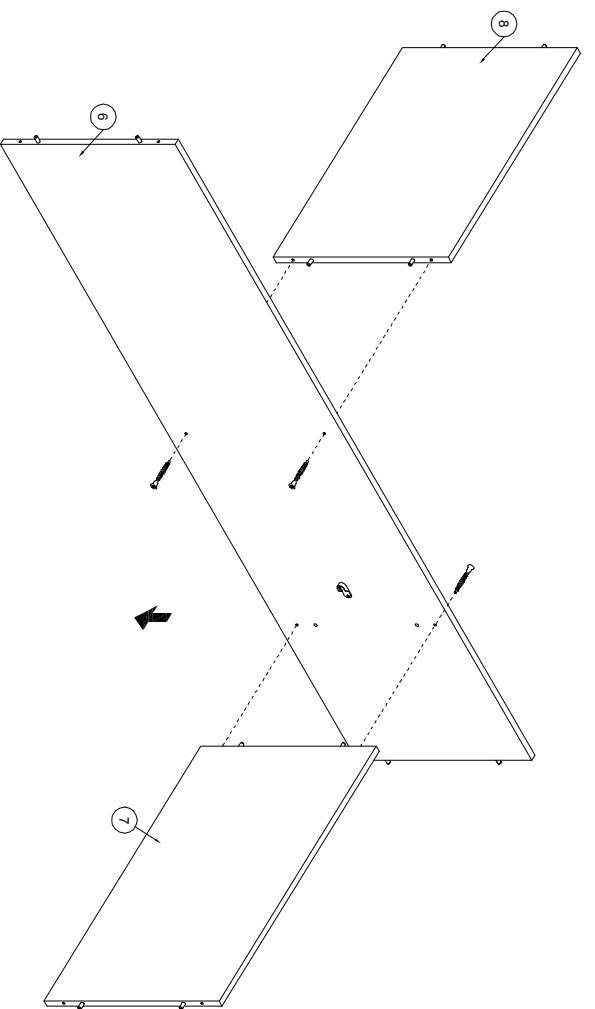


ŞP X12	H 6,3x13 X16	W X2	YA 4x35 X4	L5 X1	D X4	DB L-1850mm X2	LM X10	V 3x13 X20
W6 L-869mm X1	ZB X8	X X8	ZC X13	DA X4	N 3x20 X53	YD 7x50 X20	WB X1	
A 8x32 X40	T X2	ND 3,5x16 X16	B X4	C X4	Z X4	ZG X20		



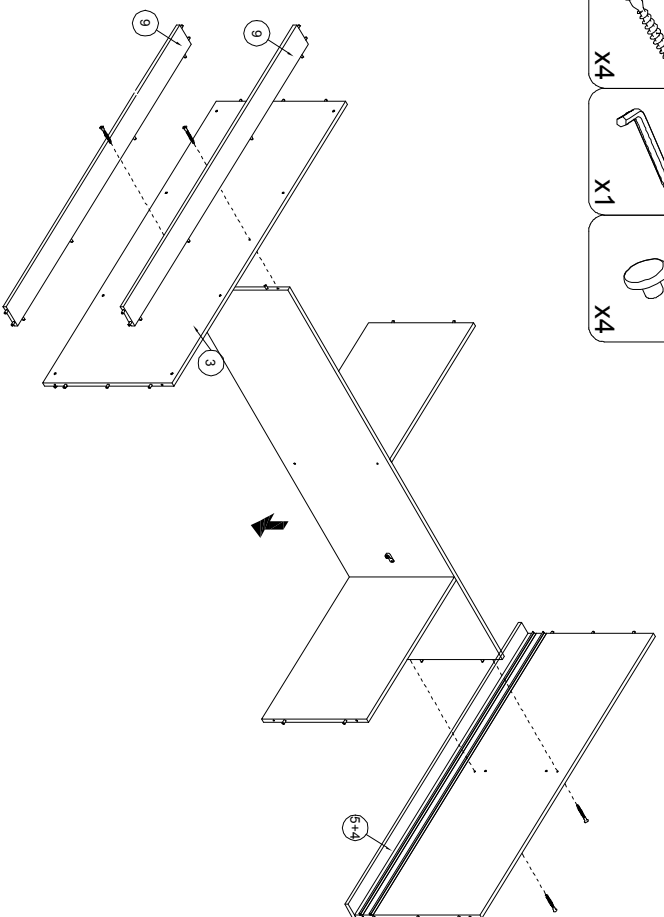
2





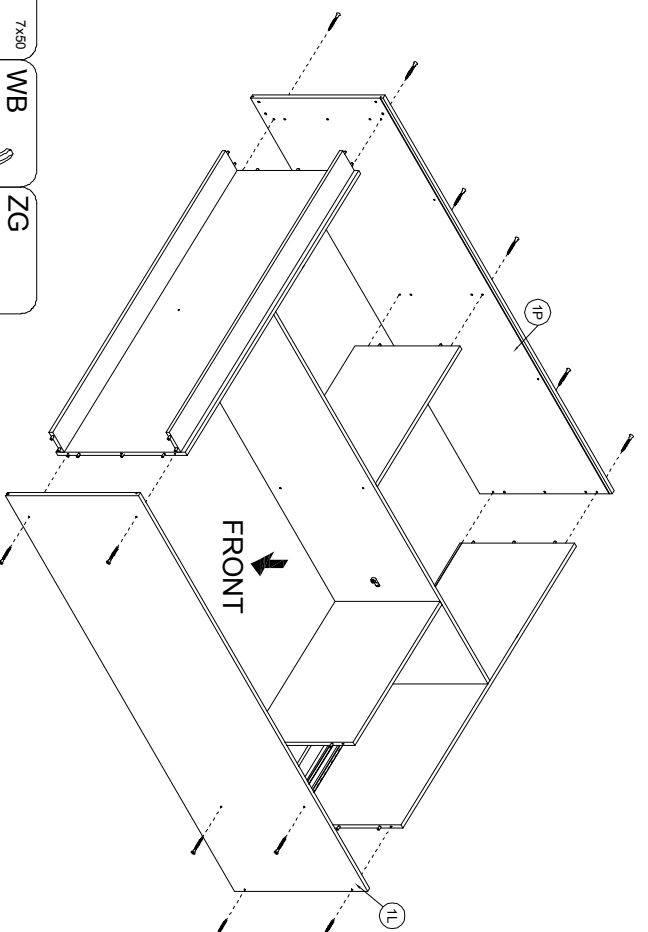
- YD 7x50 X4
- WB X1
- ZG X4

7



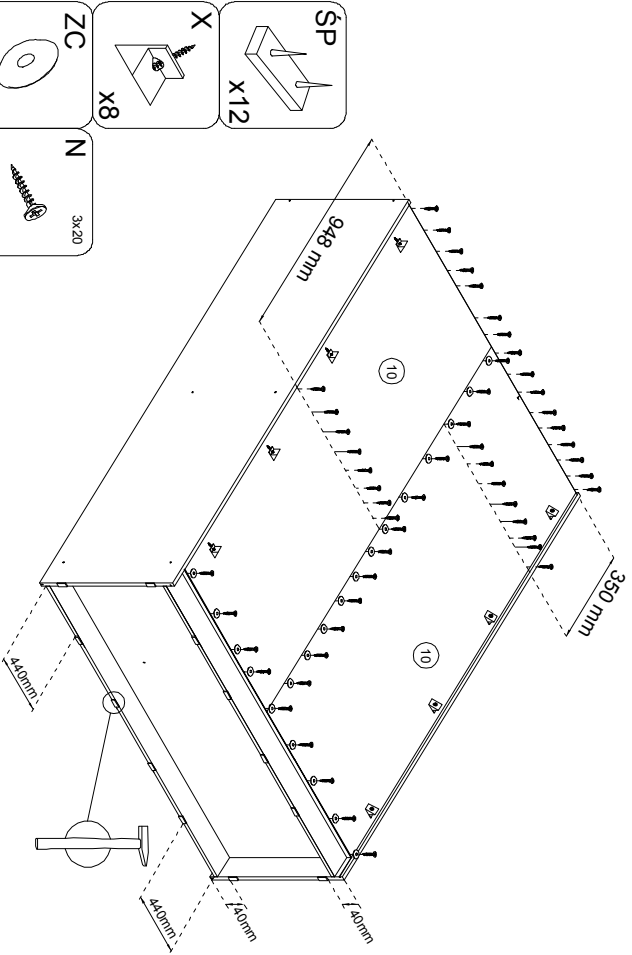
- YD 7x50 X4
- WB X1
- ZG X4

8



- YD 7x50 X12
- WB X1
- ZG X12

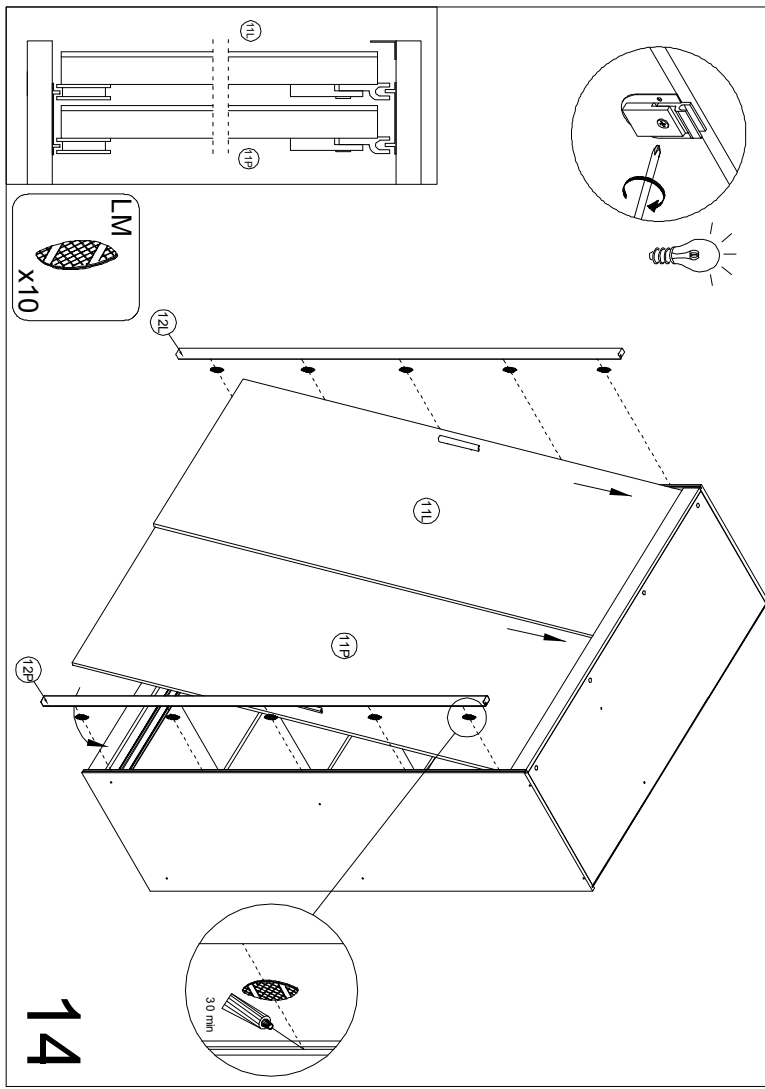
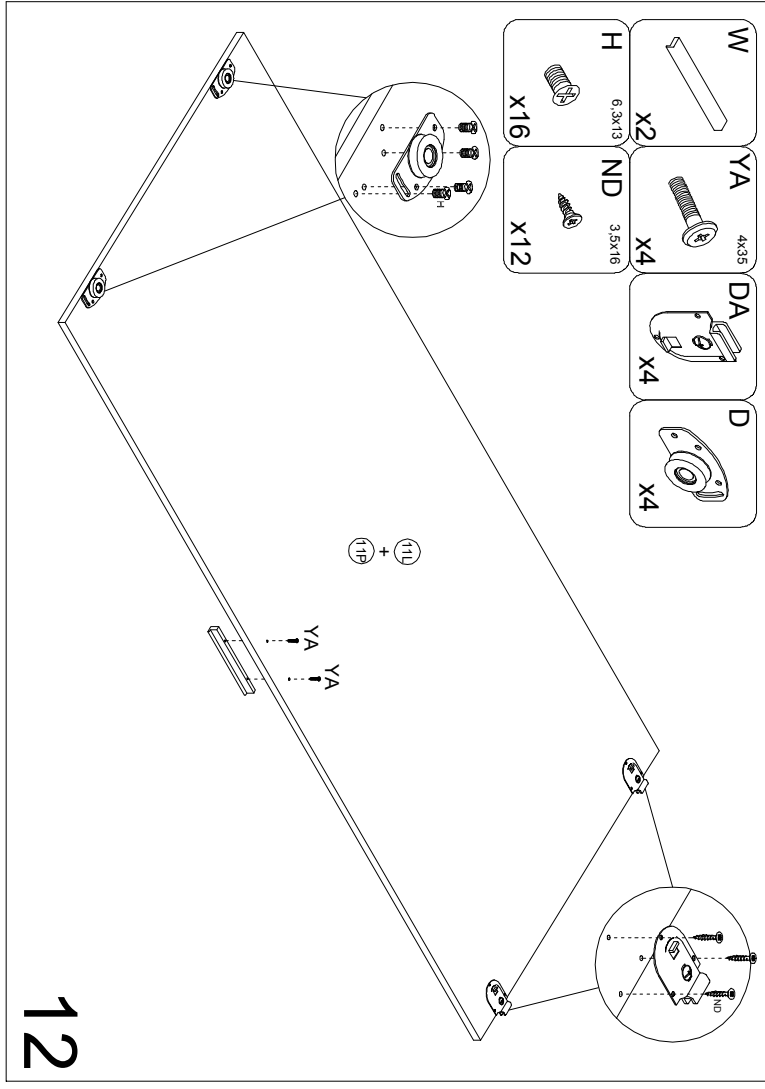
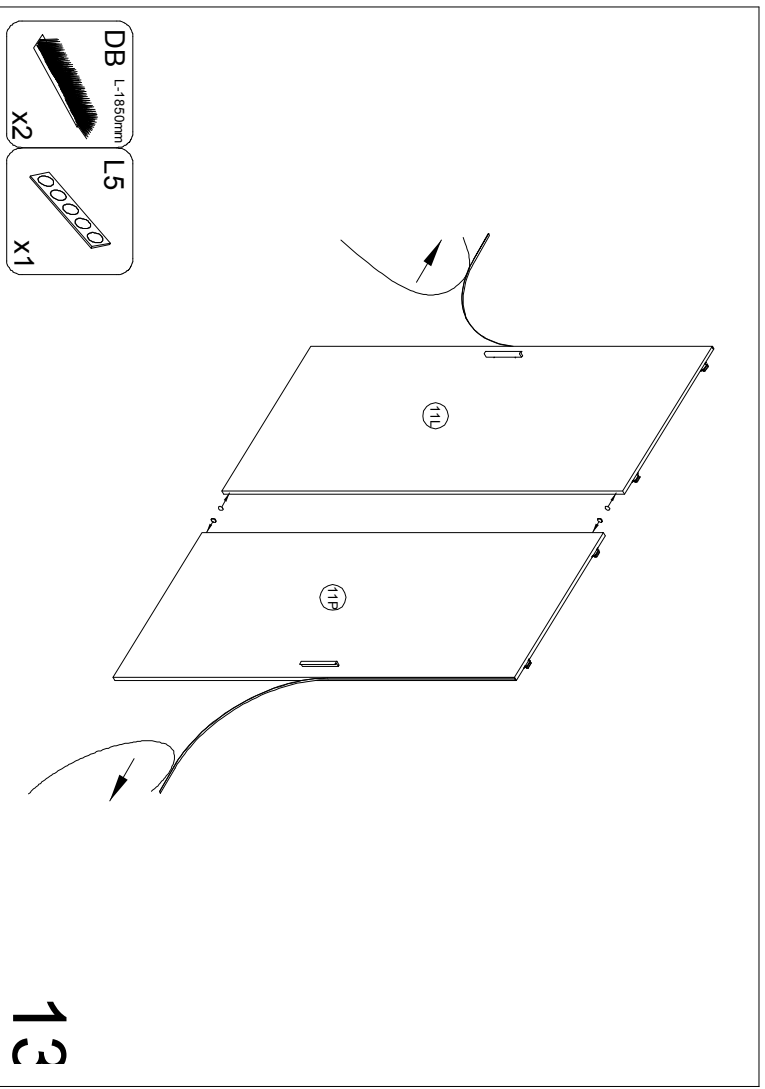
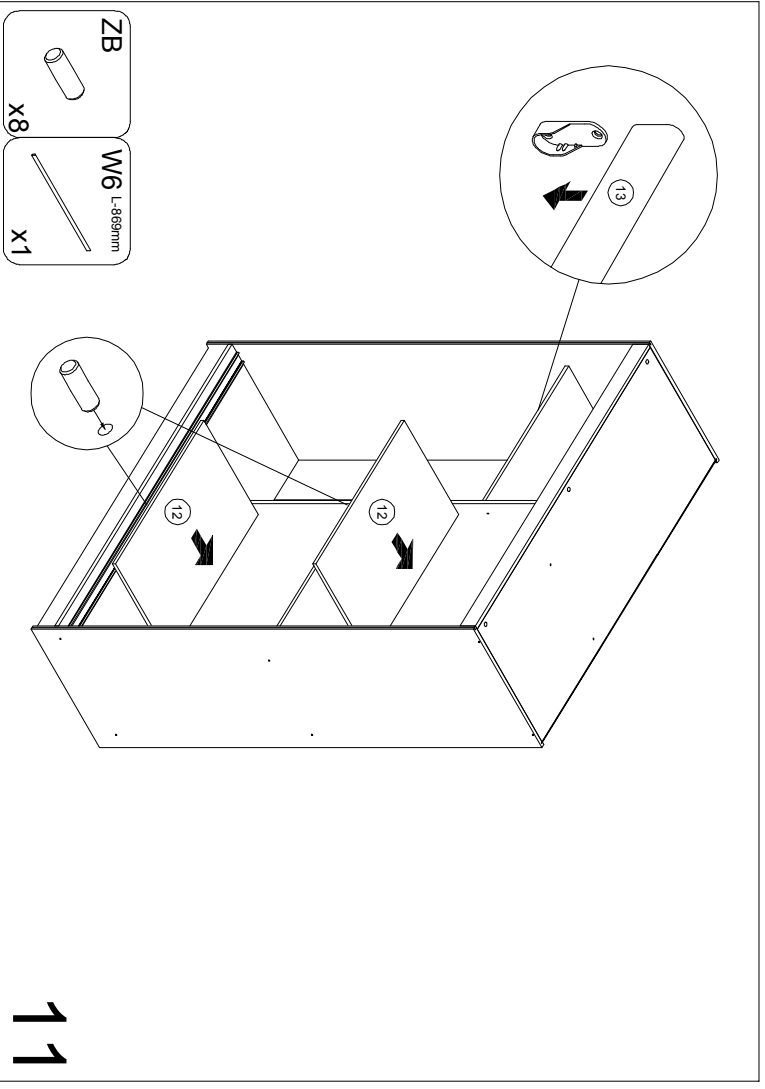
9



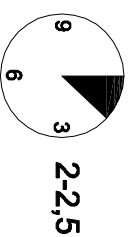
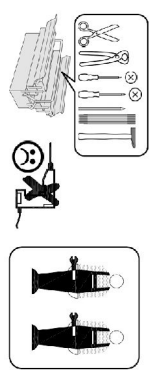
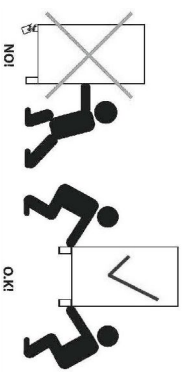
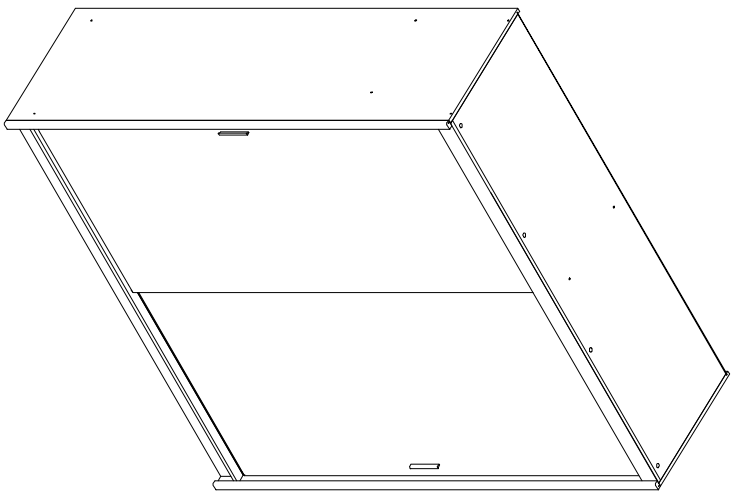
- SP X12
- X X8
- ZC X23
- N 3x20 X53

10

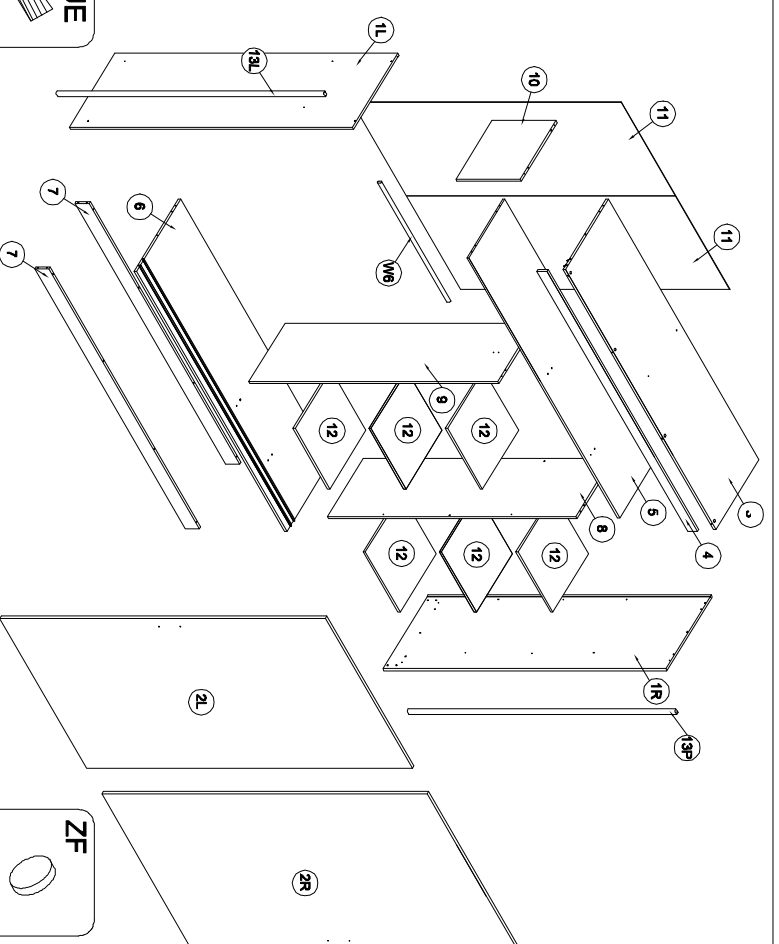
1C



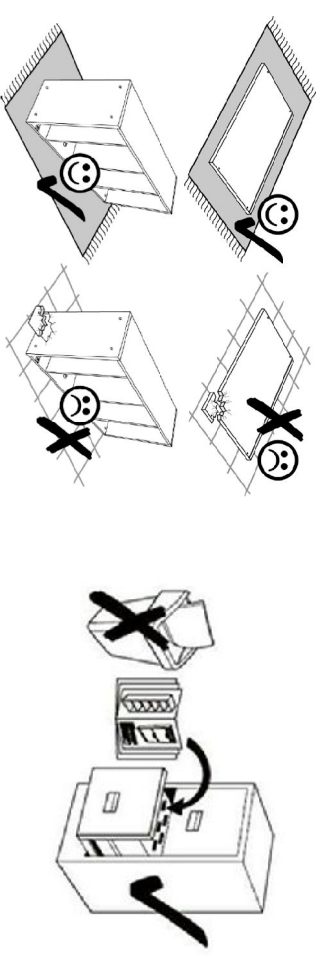
200



1

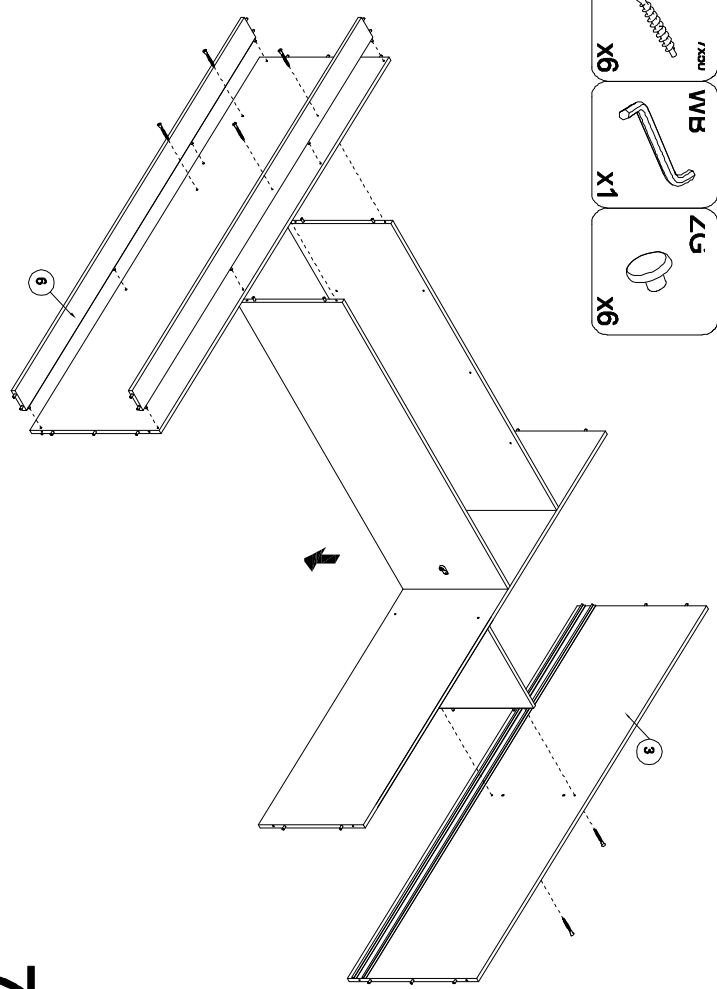


GLUE X1	W2 4x35	YA 4x35	LM X12	V 3x13	H 6,3x13	DA X4	D X4	ZF X4
W6 L-1076mm X2	ZB X4	SP X12	ZC X20	ND 3,5x16 X16	N 3x20 X4	YD 7x50 X4	DB L-1890mm X2	WB X1
A 8x32 X44	T X2	X X10	B X4	S L-1645mm X12	C X4	Z X4	ZG X24	



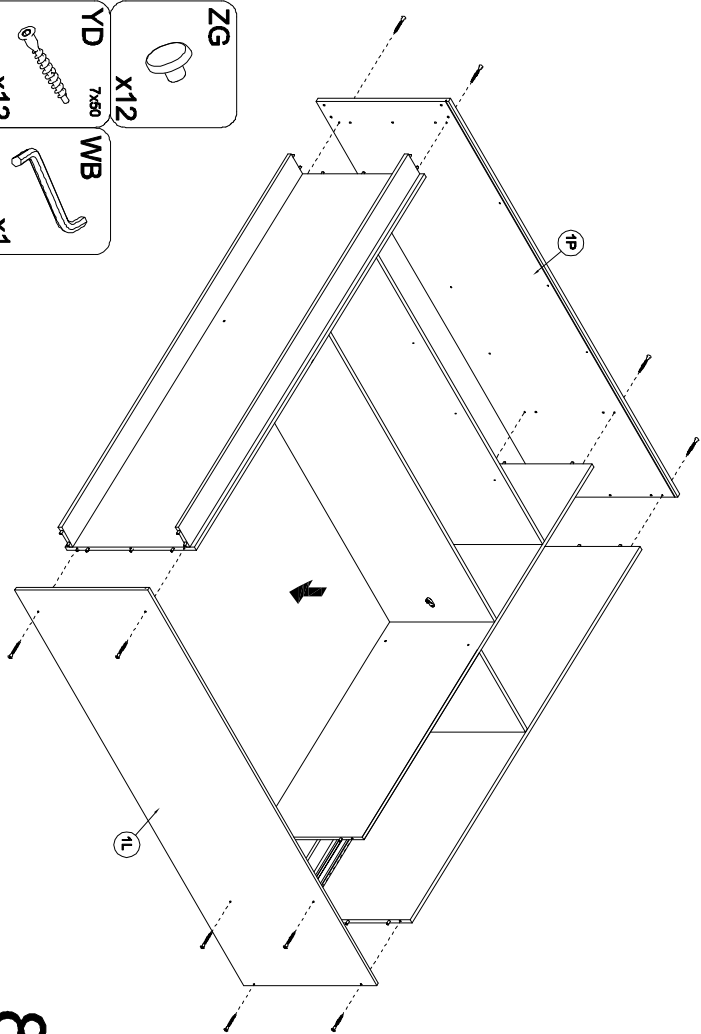
2

- YU 1/3x4
- WB
- ZG
- X6
- X1
- X6



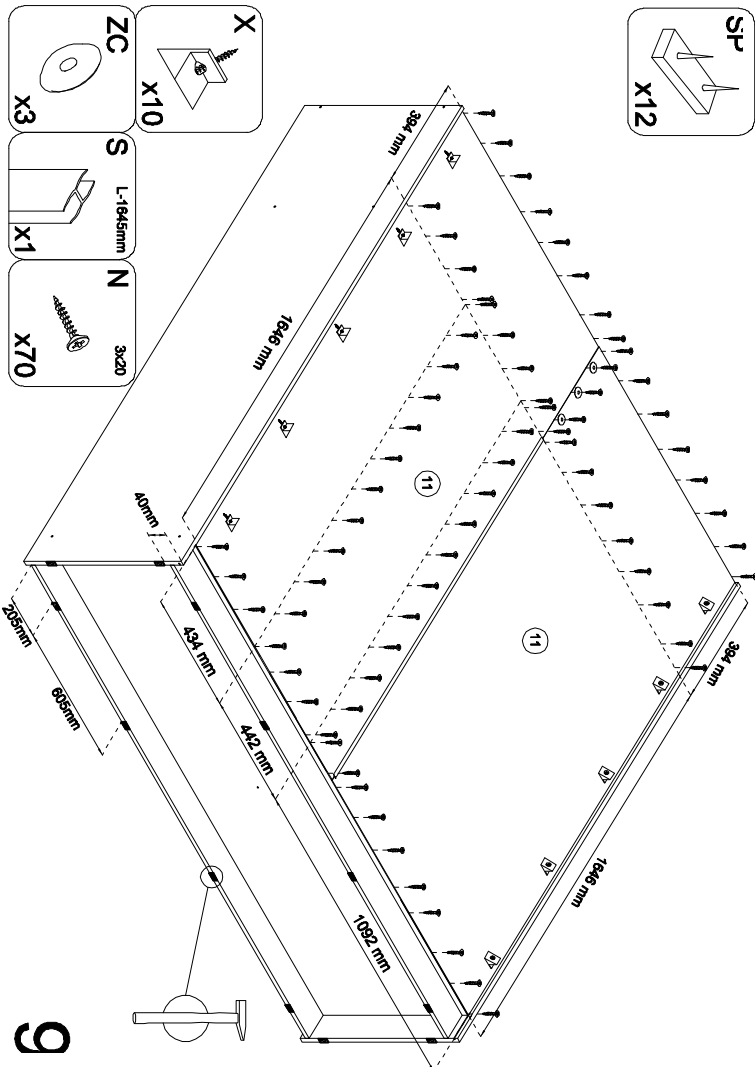
7

- ZG
- YD 7x60
- WB
- X12
- X1
- X12



8

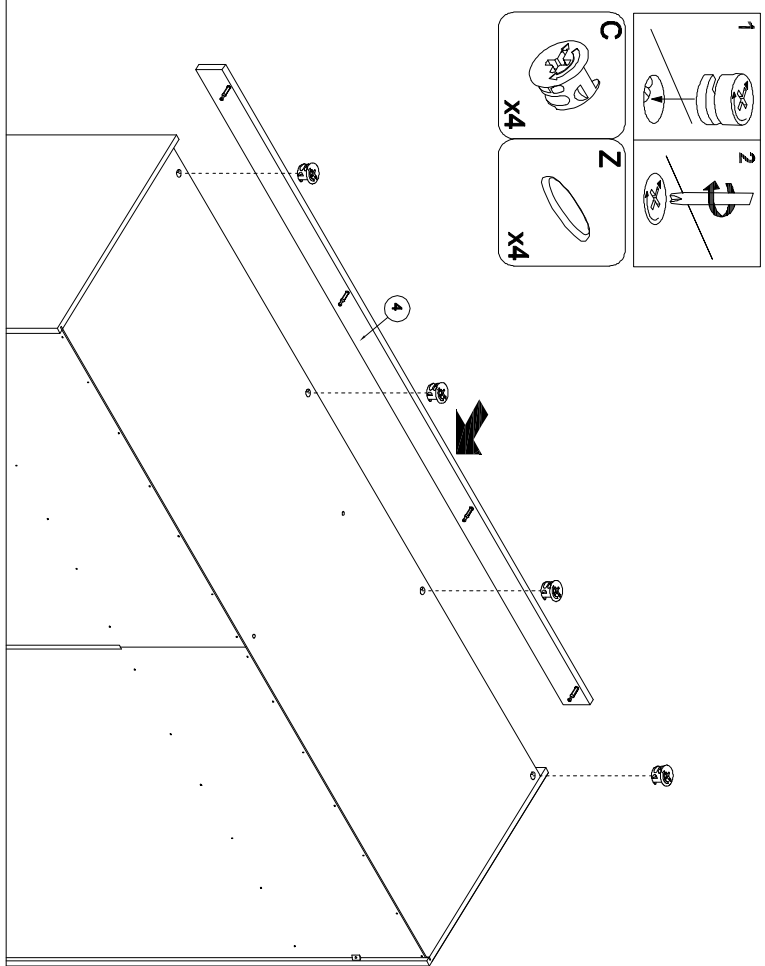
- SP
- X12





9

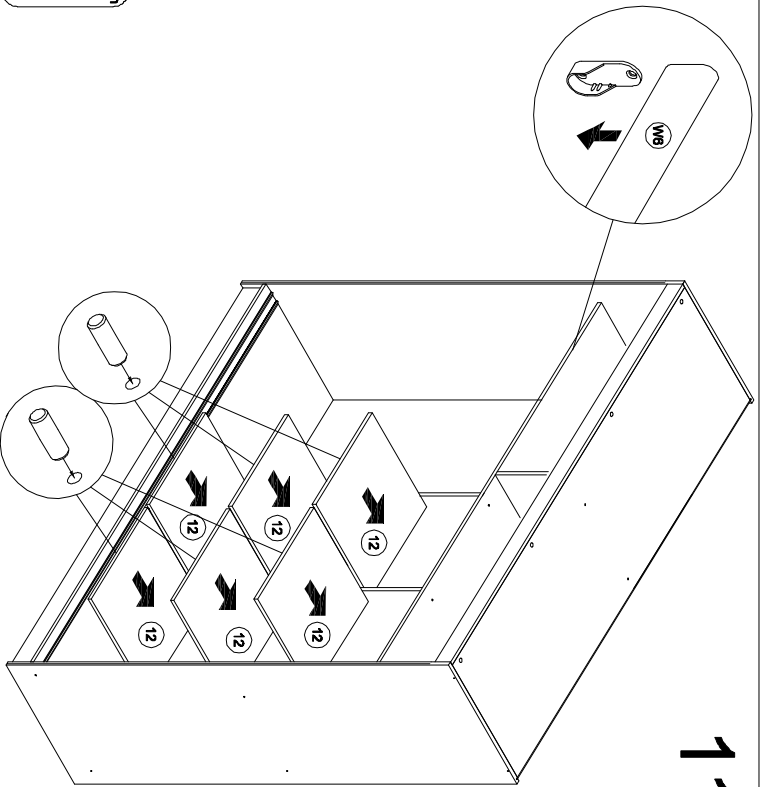
- X
- ZC
- S L-1845mm
- N 3x20
- X3
- X10
- X1
- X70

- 1
- 2
- C
- Z
- X4
- X4









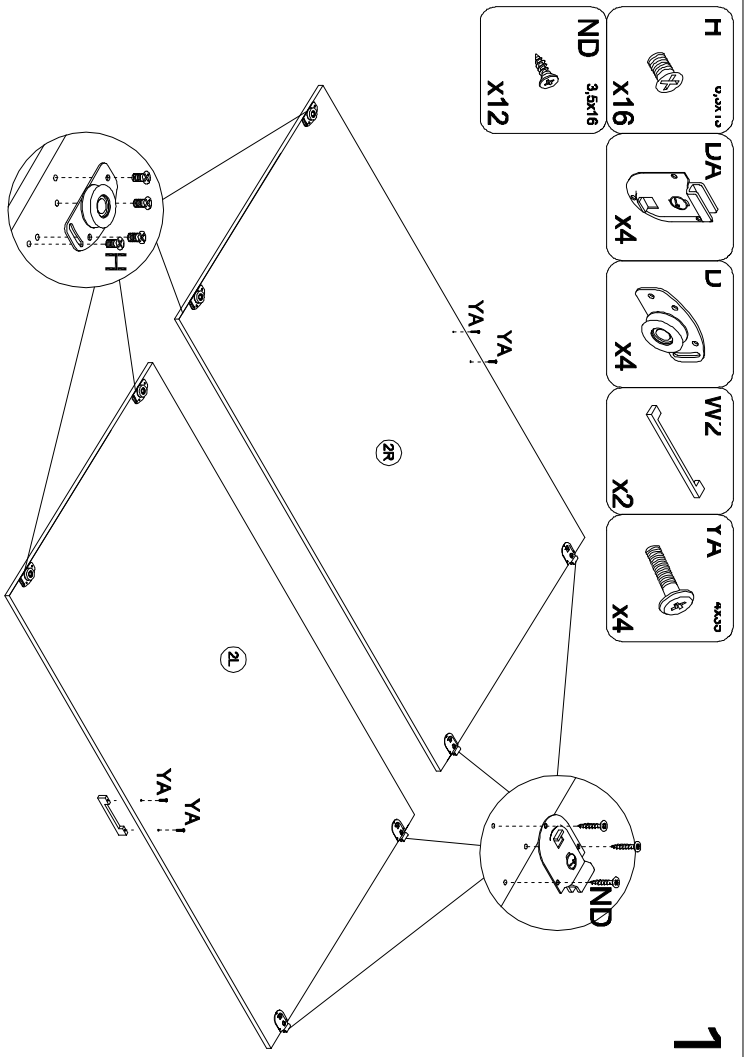
10

- ZB  X24
- W6 L-1076mm  X1





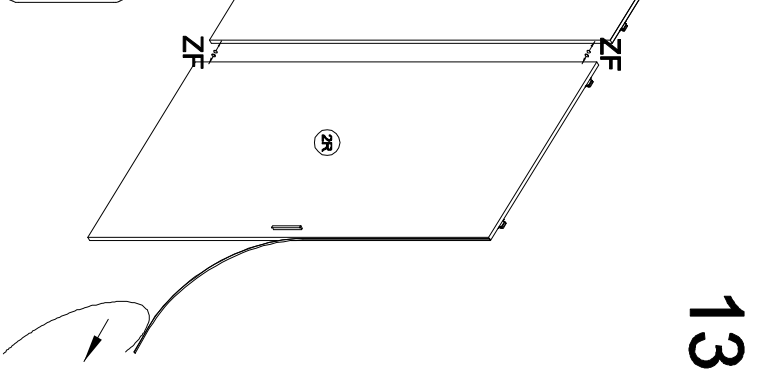
11

- H  X16
- ND  3x6x16 X12
- UA  X4
- U  X4
- W2  X2
- YA  X4

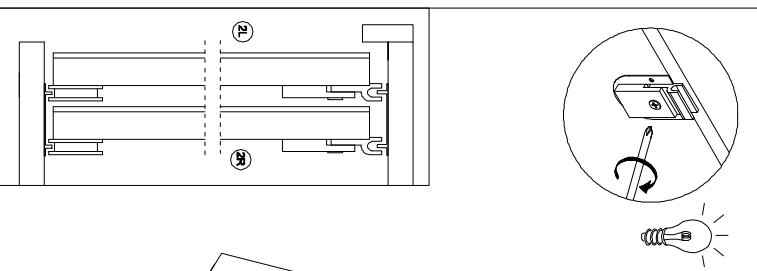


12


- DB L-1860mm  X2
- ZF  X4

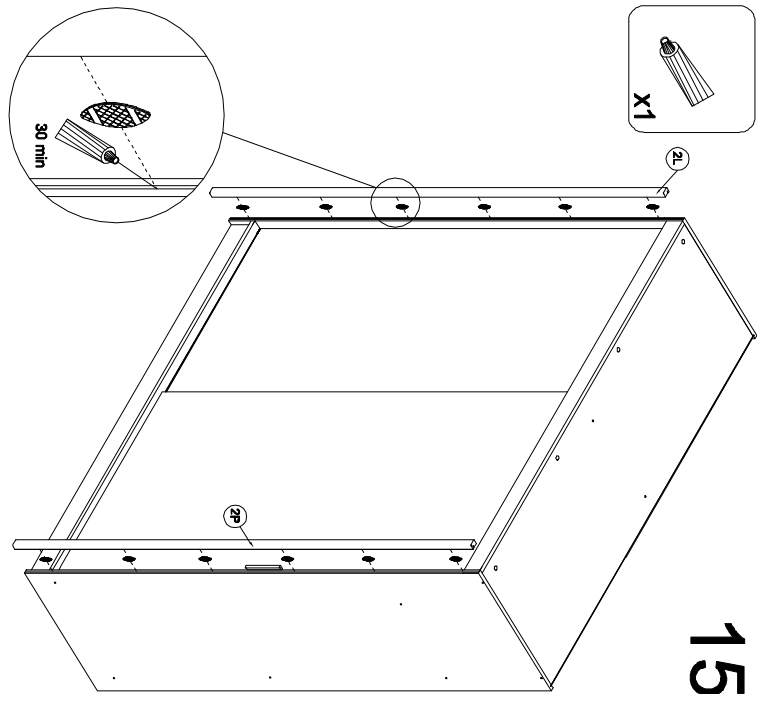


13



14

-  X1



15