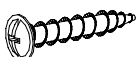


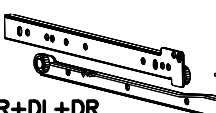


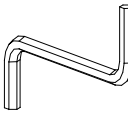
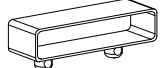
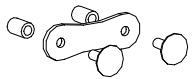


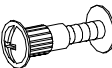
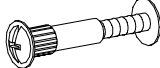


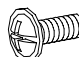
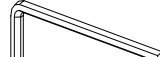
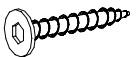
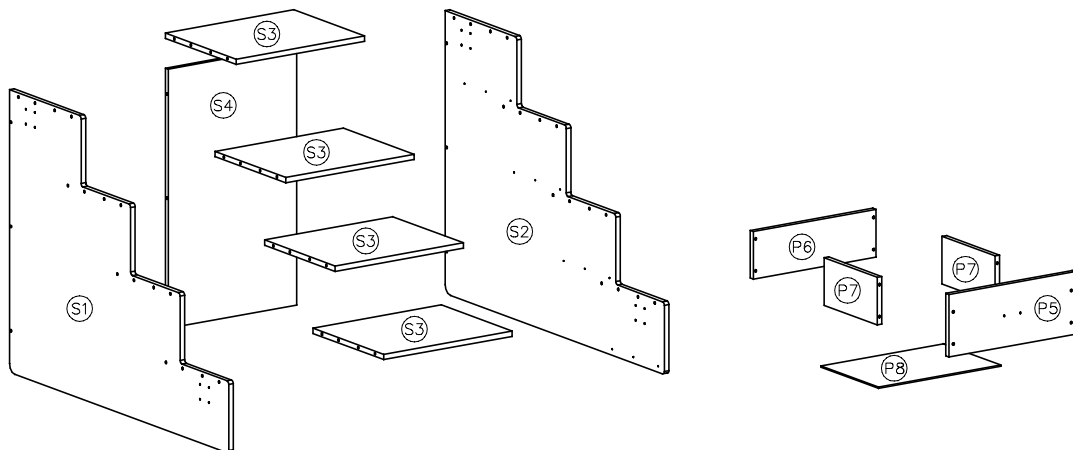
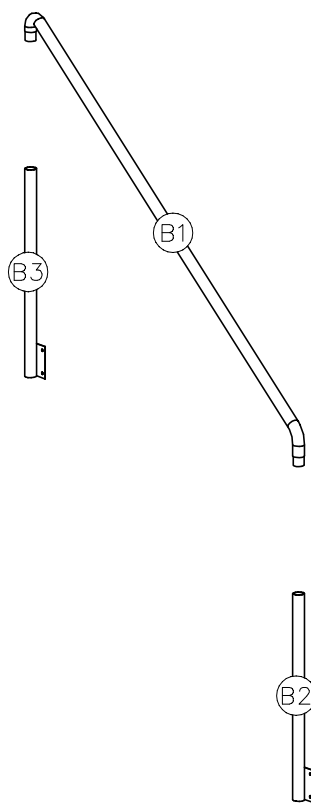
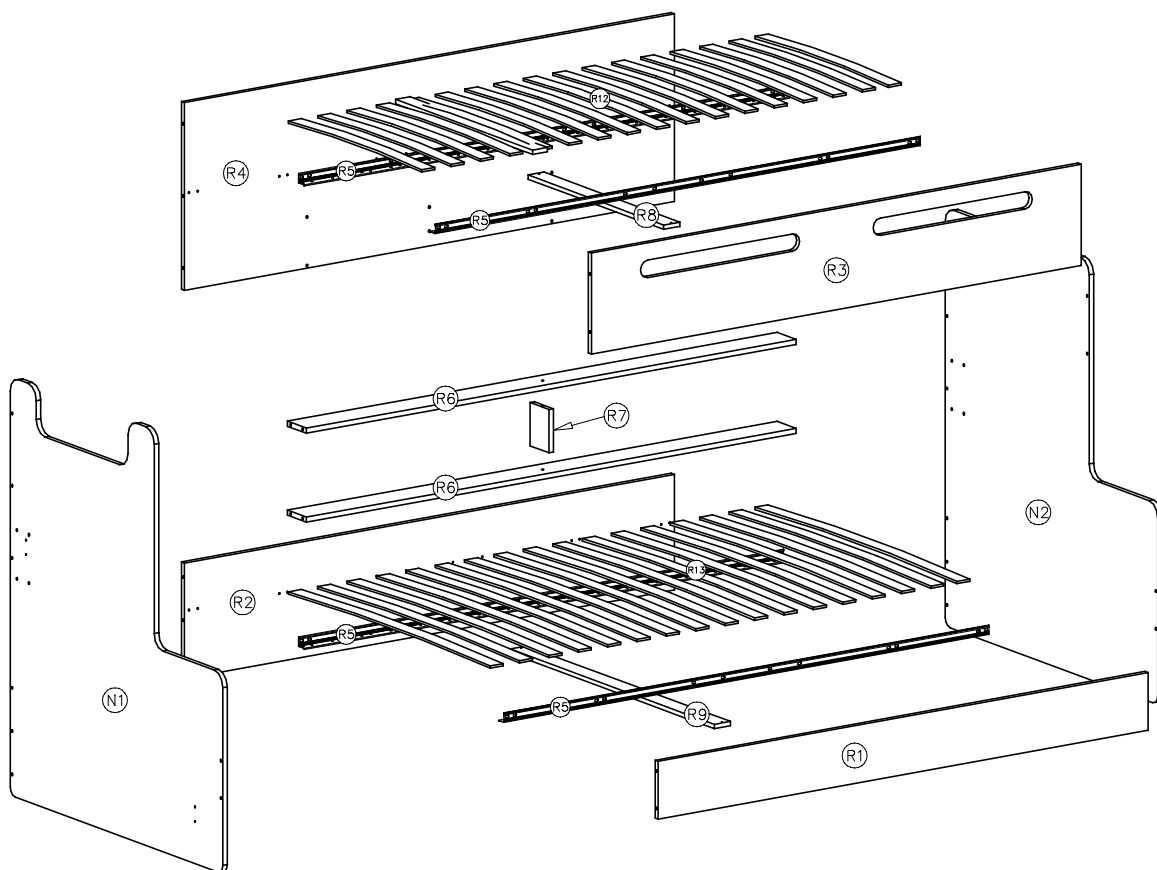
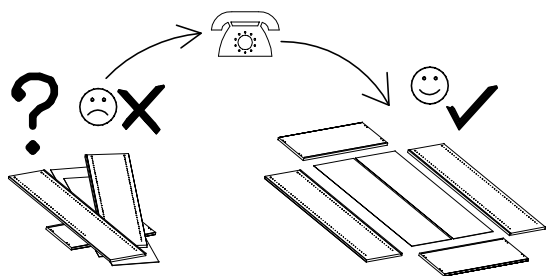
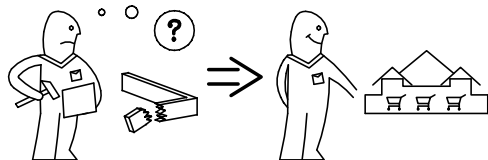
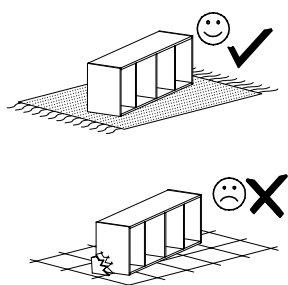
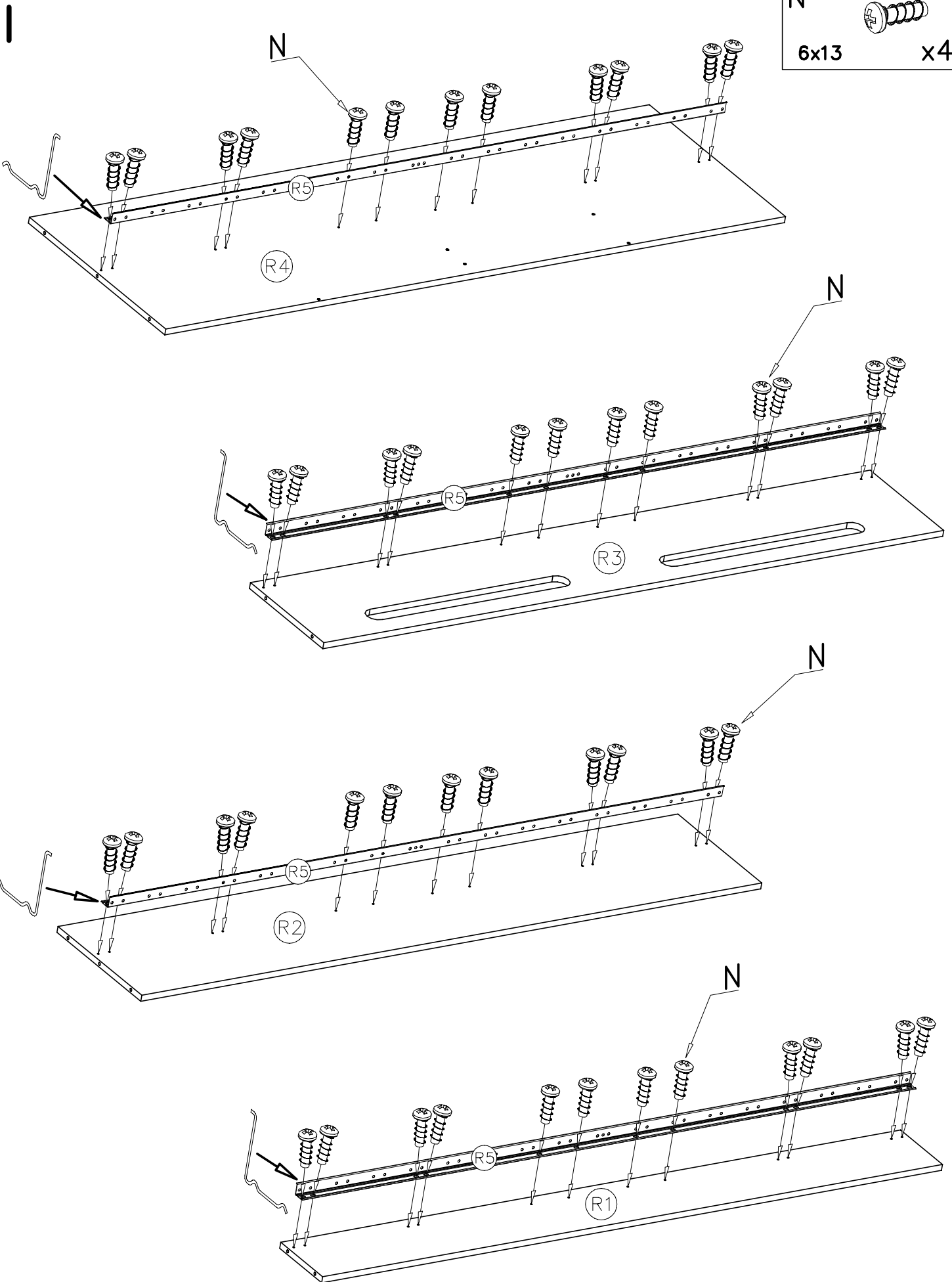
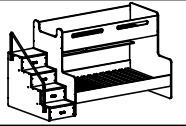
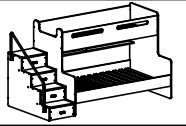


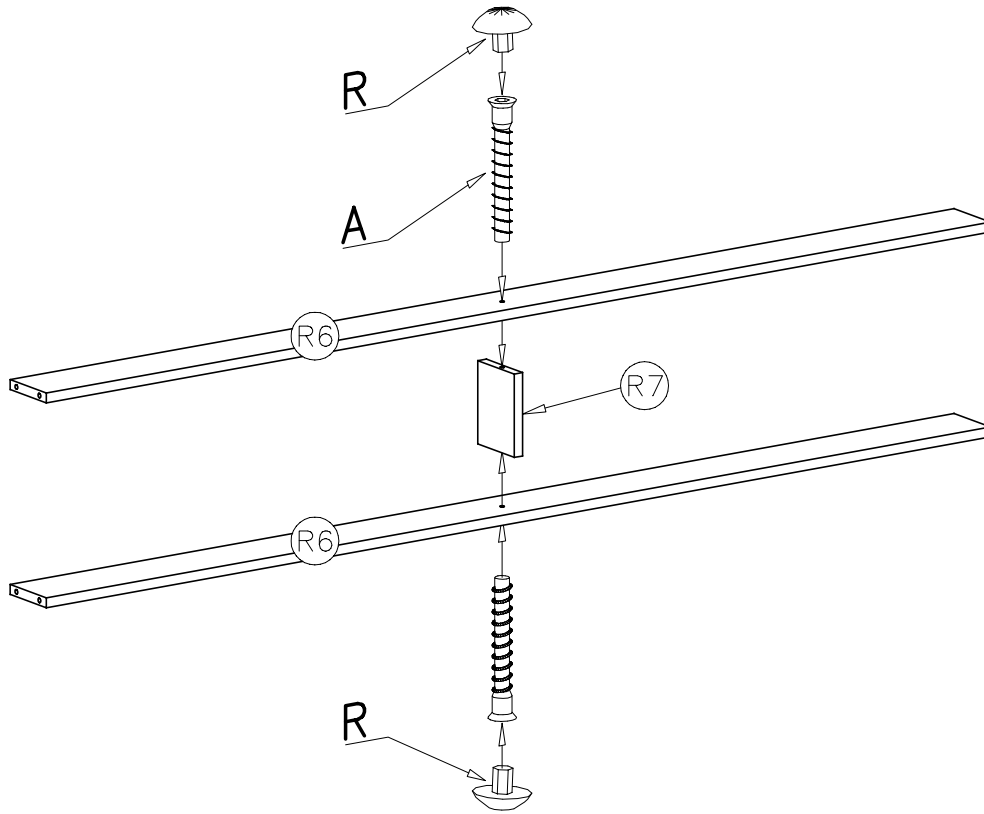
B  4x30 x8	G  6x13 x24	R  ø12 x2		
U  CL+CR+DL+DR x4	300mm 	W  x3	H  x1	E  x68
K  x4	M  x60	N  6x13 x52	S  9x20 x8	T  8x30 x4
A  ø7x50 x8	C  3,5x16 x24	D  M5x10 x2	I  x1	J  6x50 x98







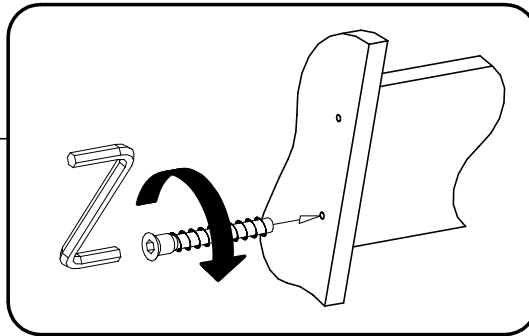


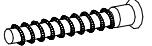
II

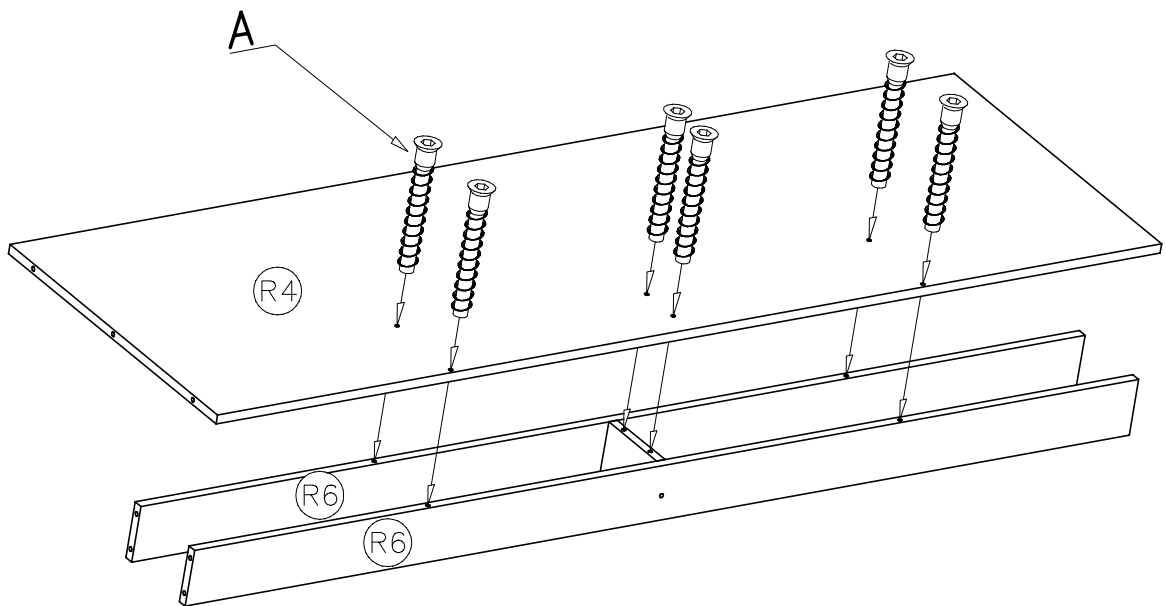


- A  $\varnothing 7 \times 50$ x2
- R  $\varnothing 12$ x2

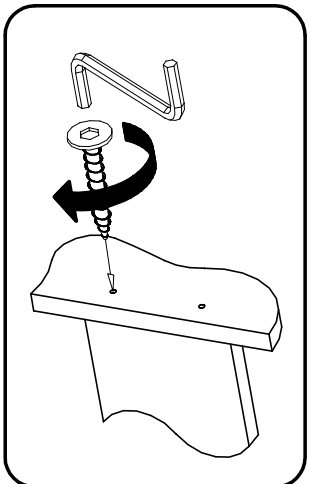
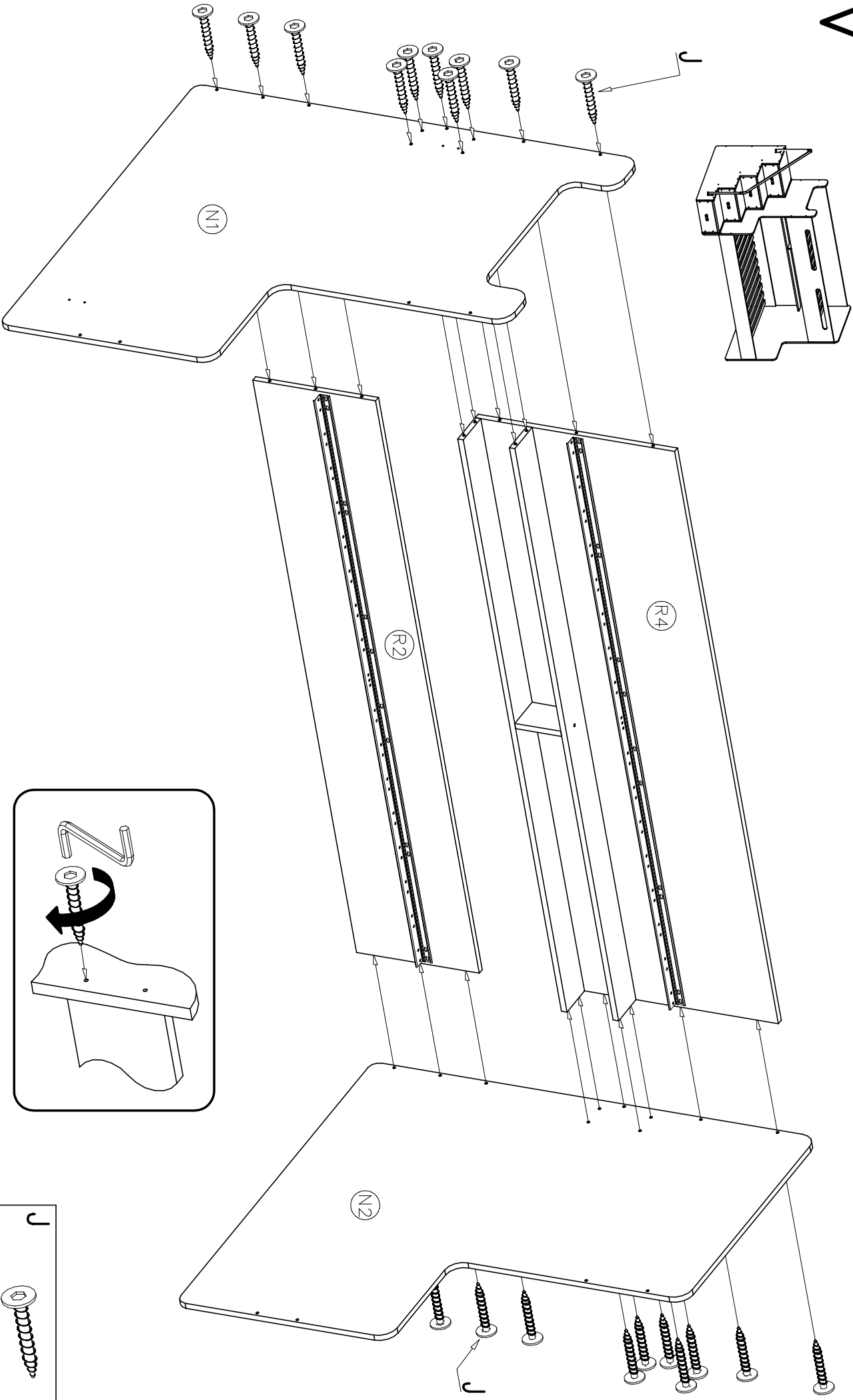
III



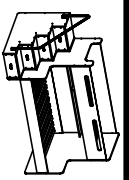
- A  $\varnothing 7 \times 50$ x6



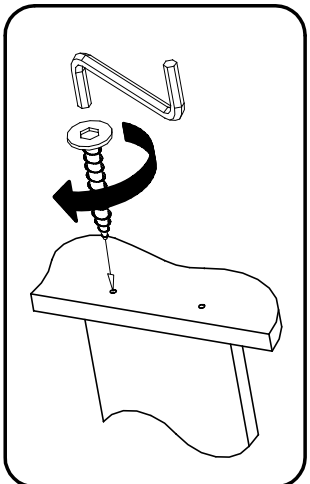
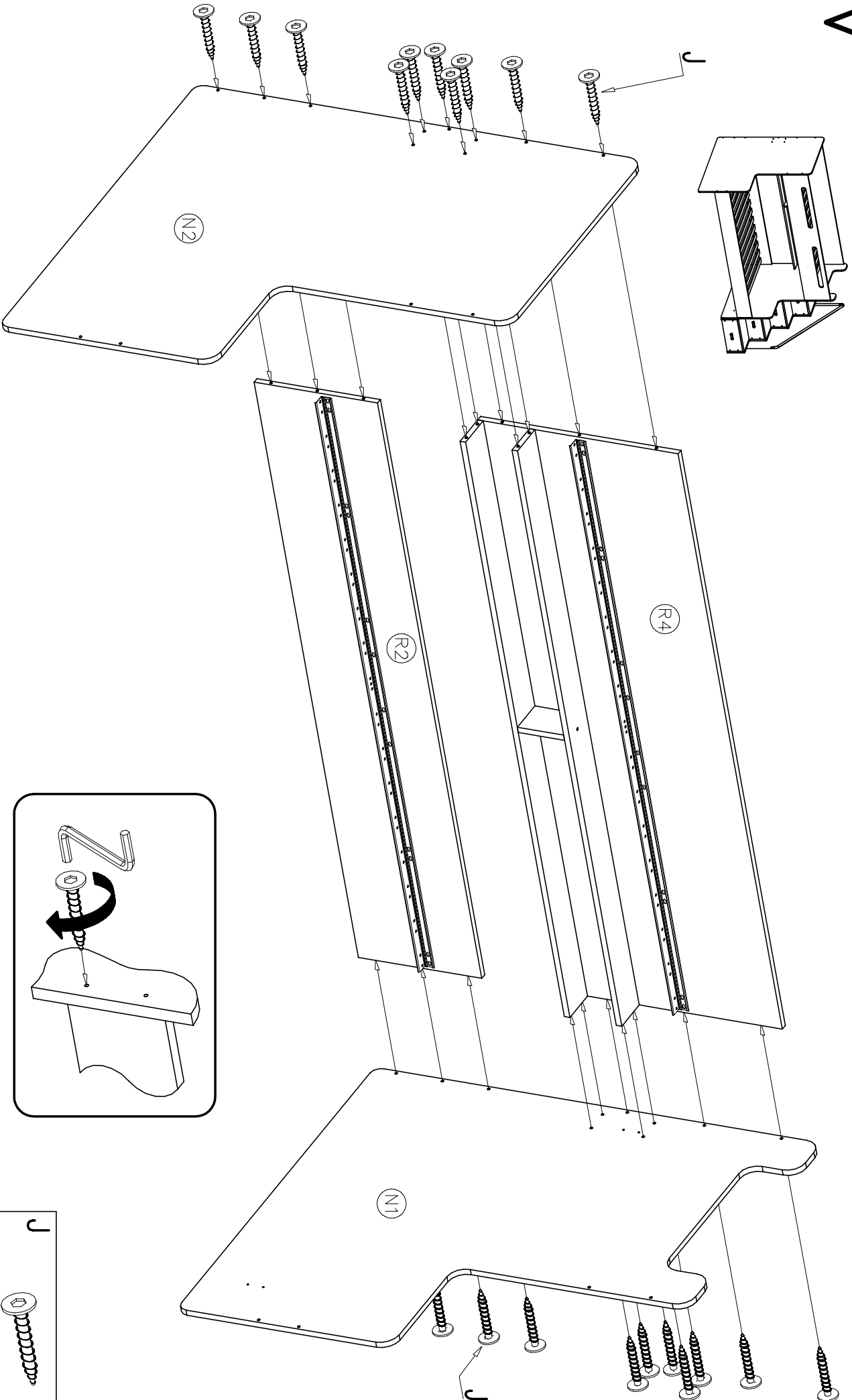
IV



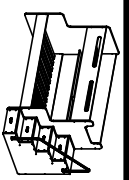
J
6x50
X20

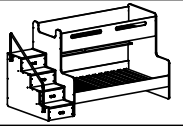


IV



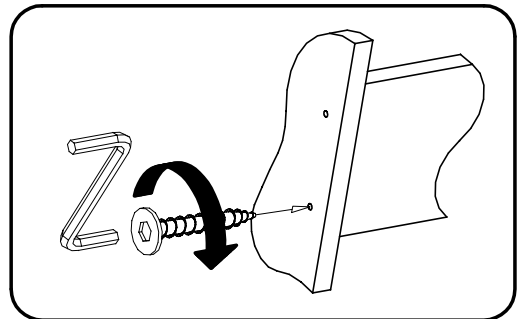
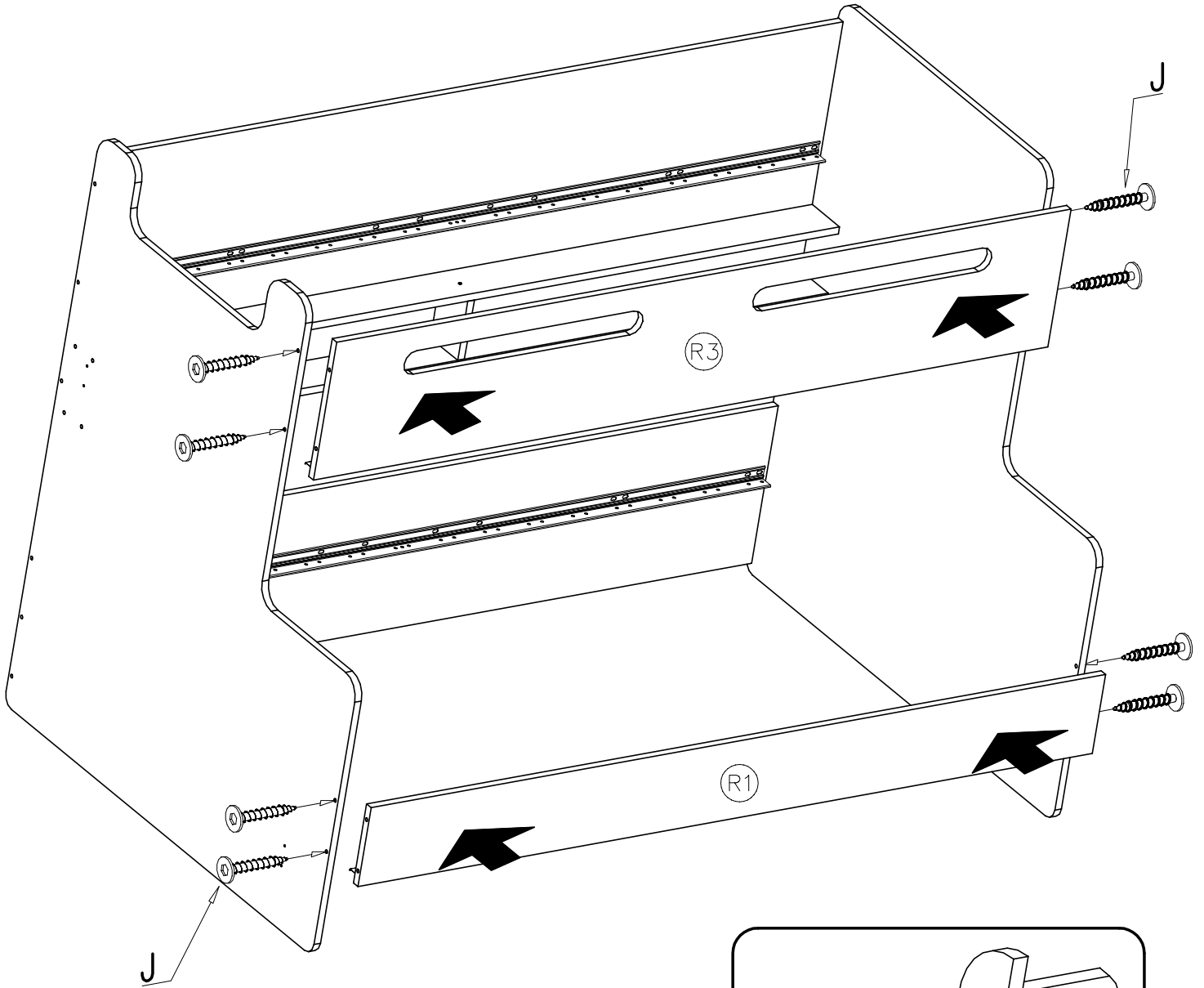
J
6x50
X20

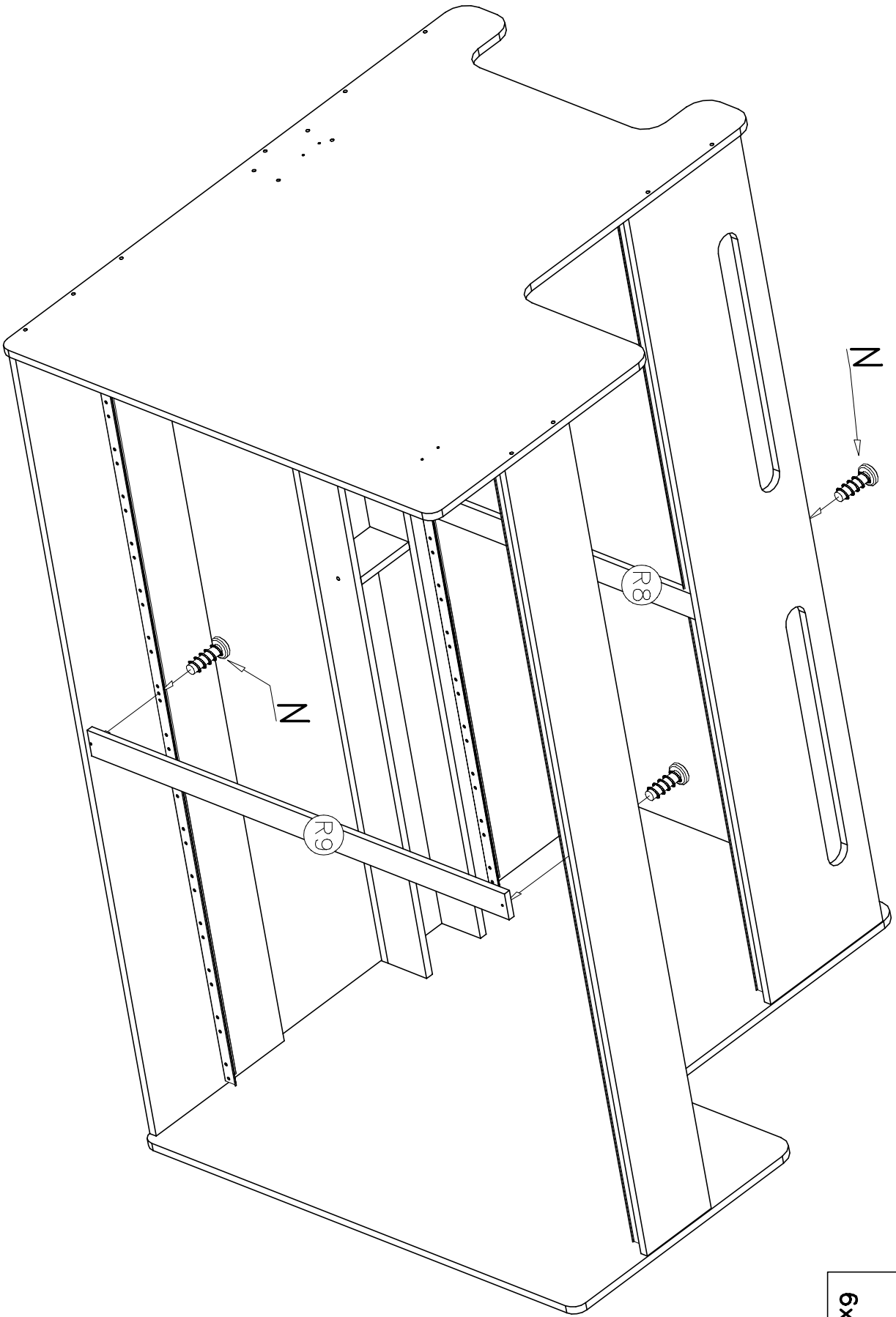




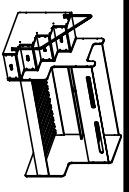
V

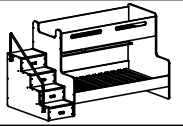
J
6x50 x8





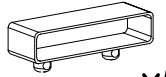
N
6x13
x4



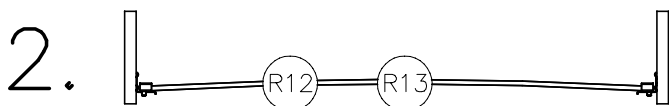
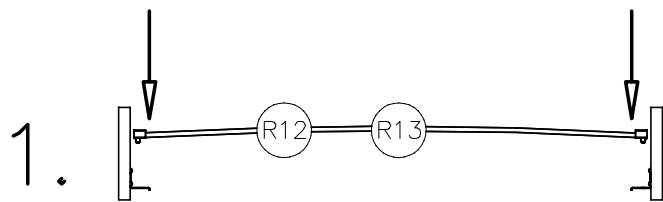
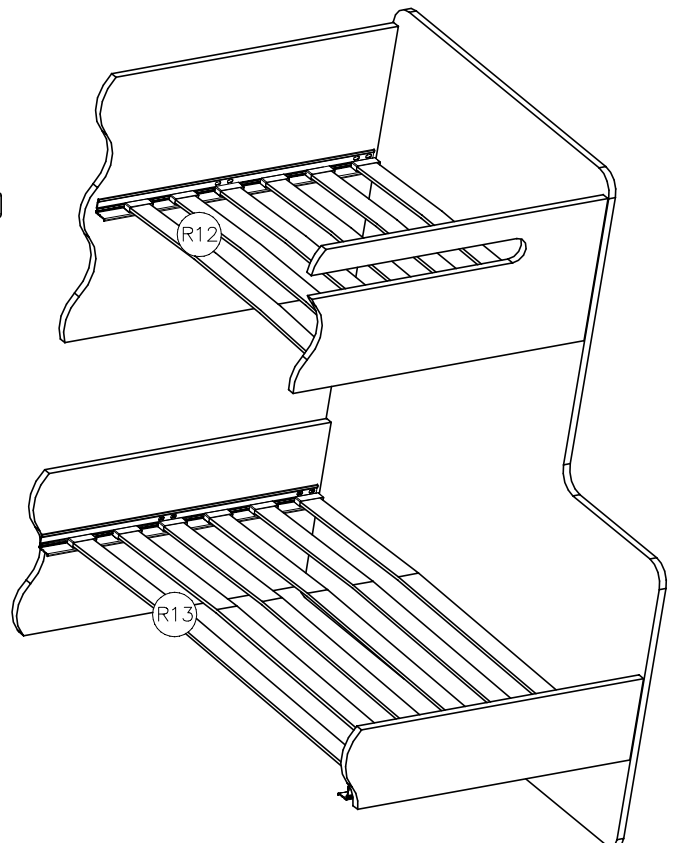
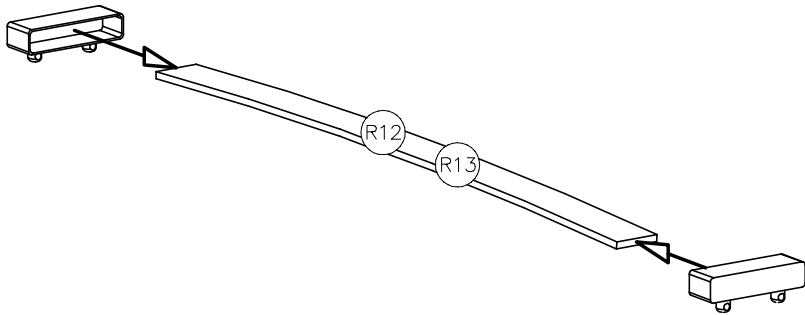
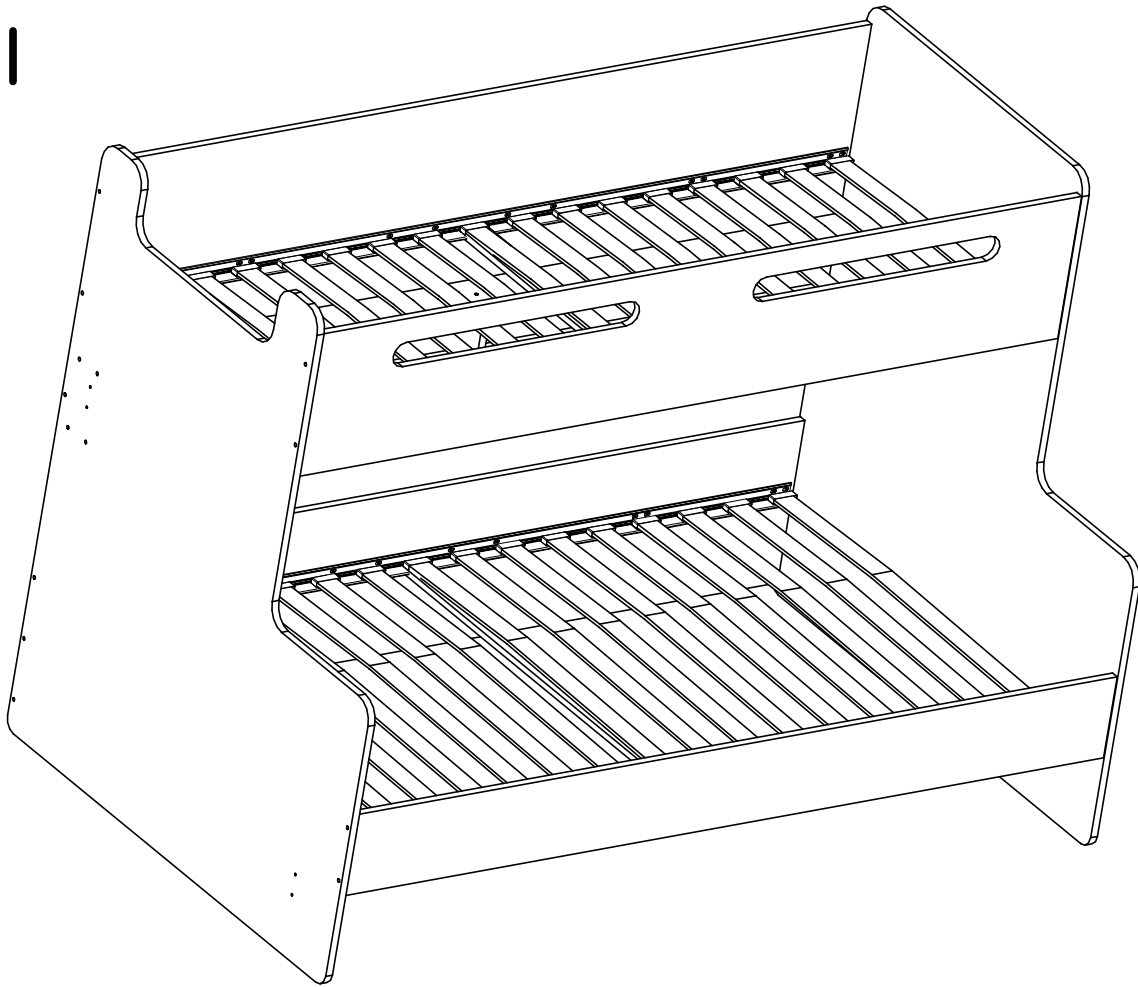


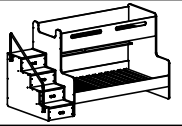
VII

E

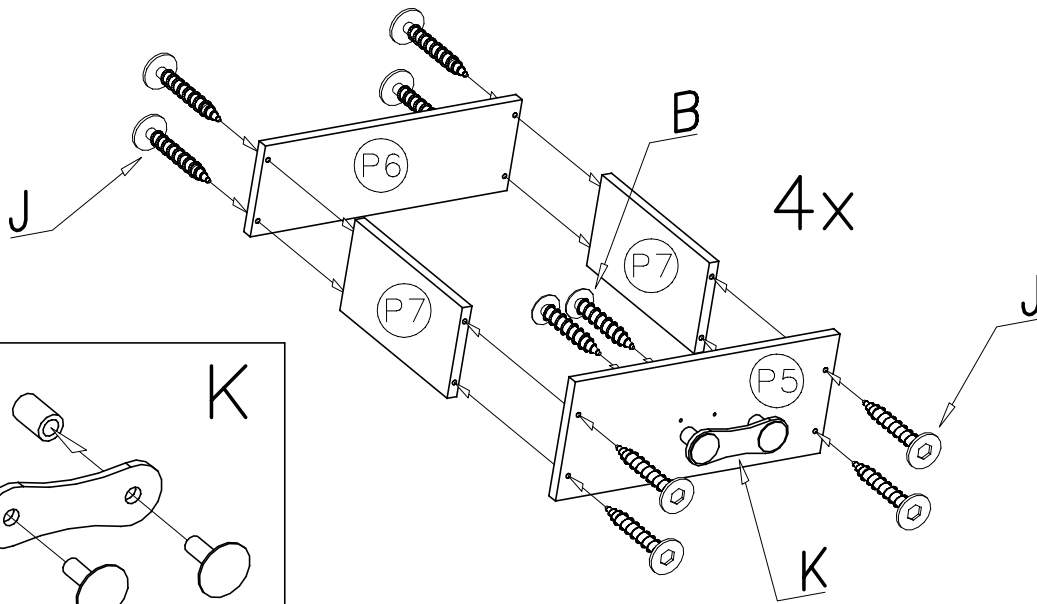


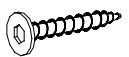
x68




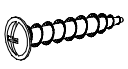


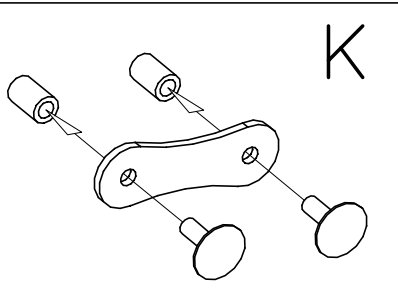
VIII



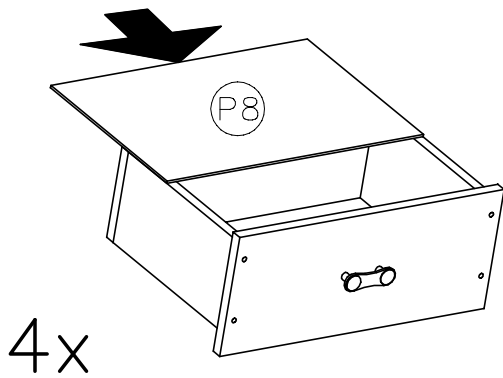
J 
6x50 x32


K 
x4

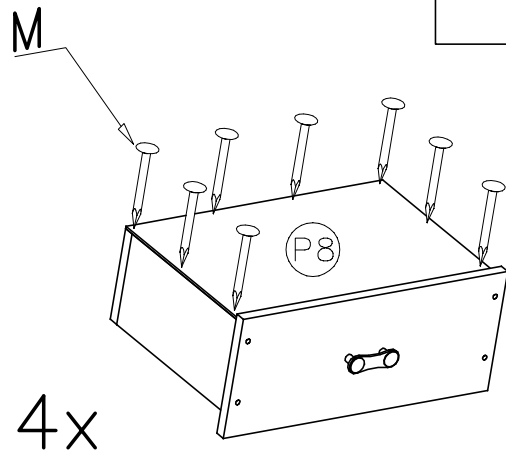
B 
4x30 x8



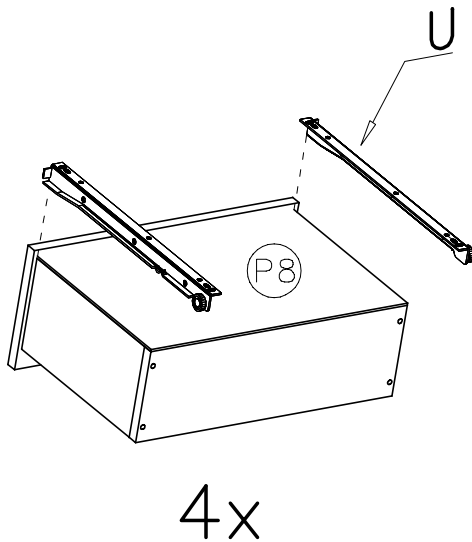
IX

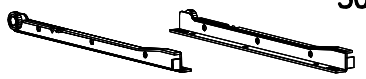


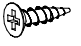
M 
x60

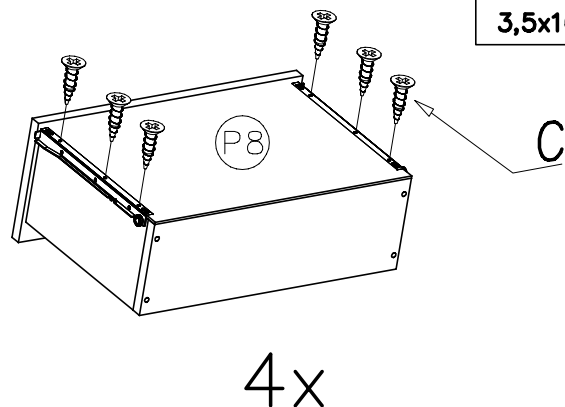


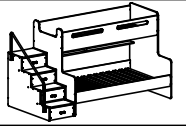
X



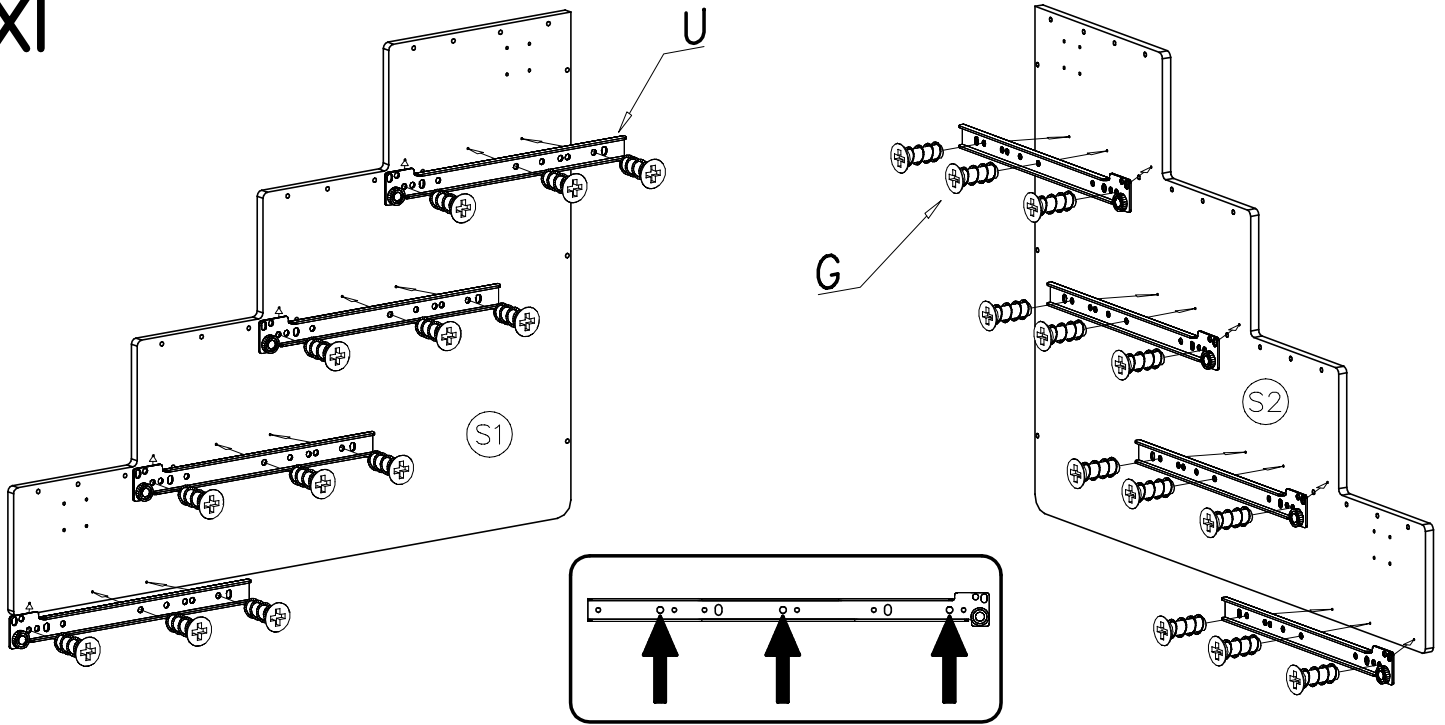
U  300mm
DL+DR x4


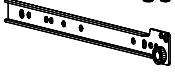

C 
3,5x16 x24



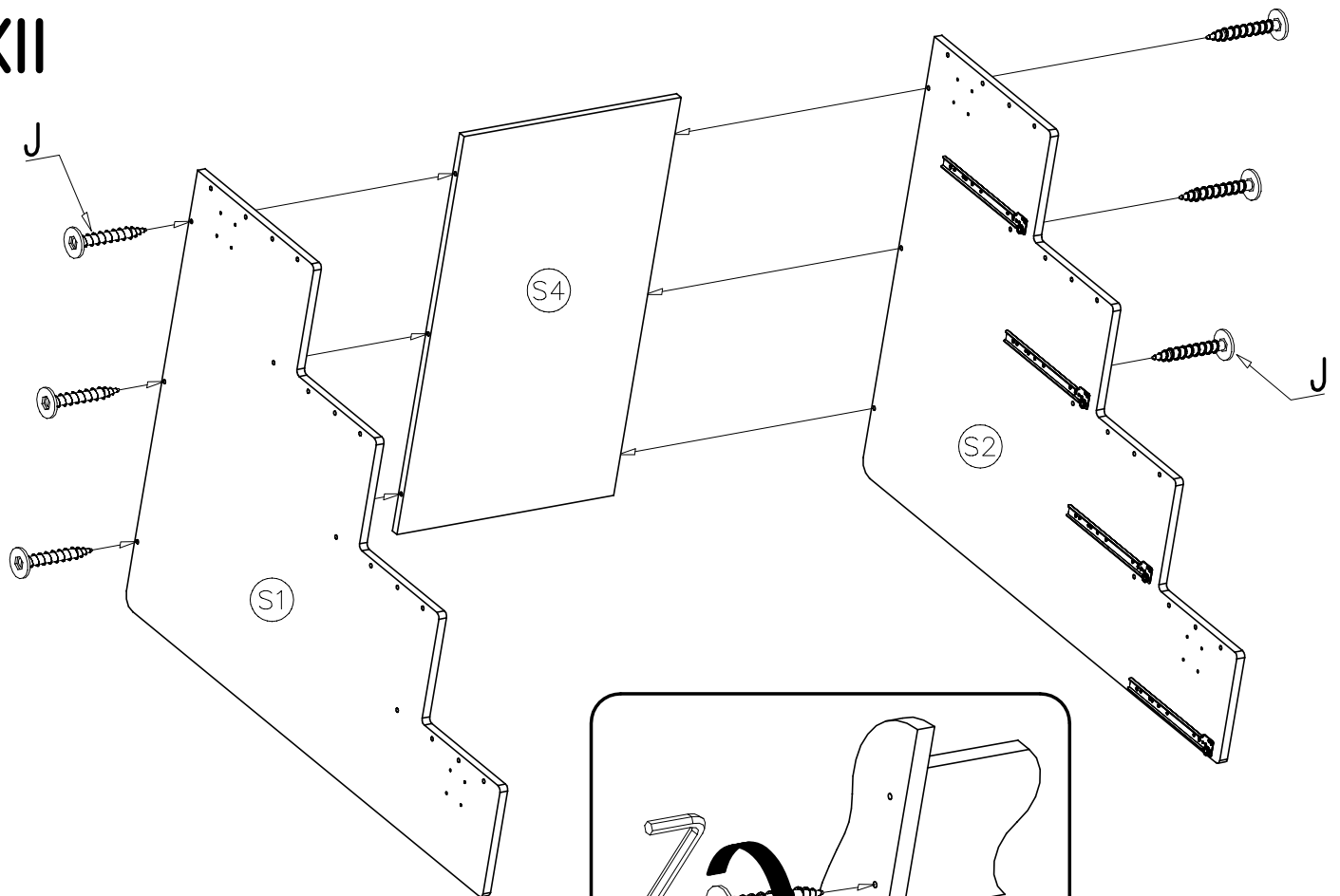



XI

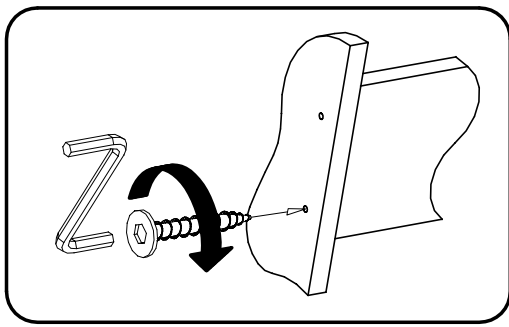


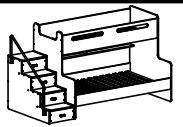
U	300mm	G	
CL+CR	 x4	 x4	 x24

XII

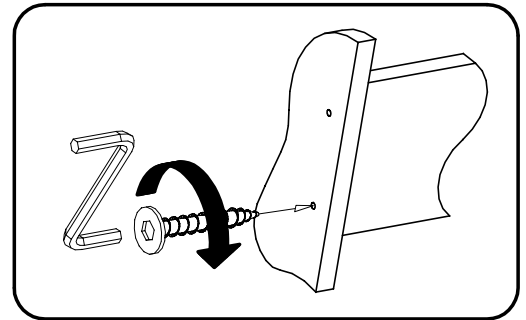
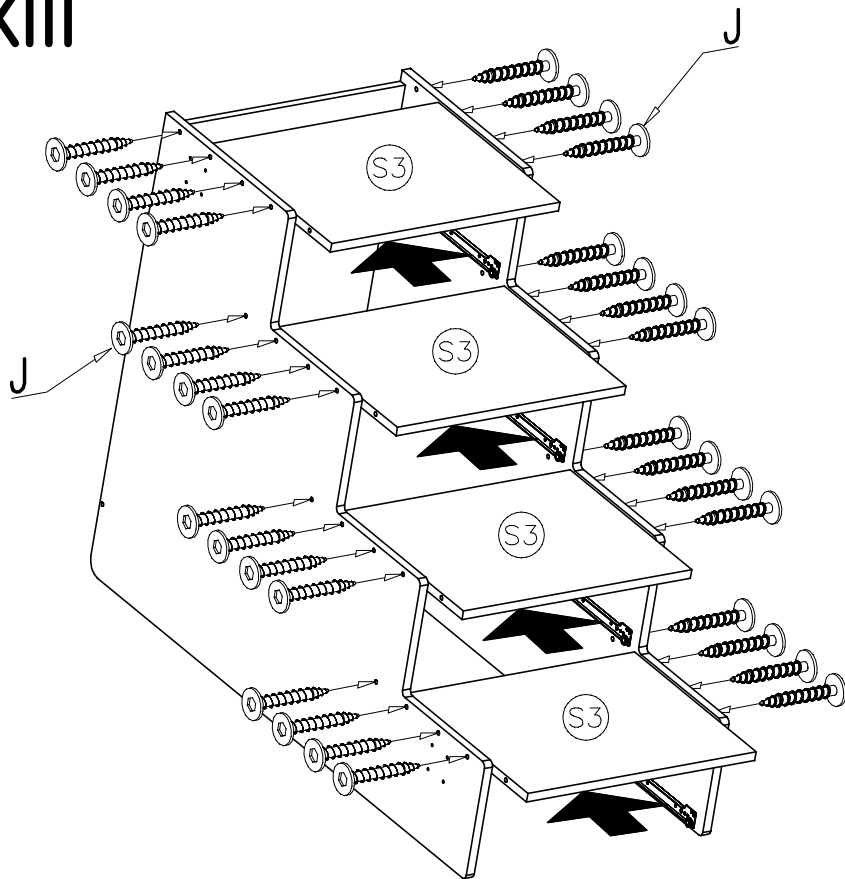


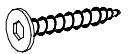
J	
 x6	6x50



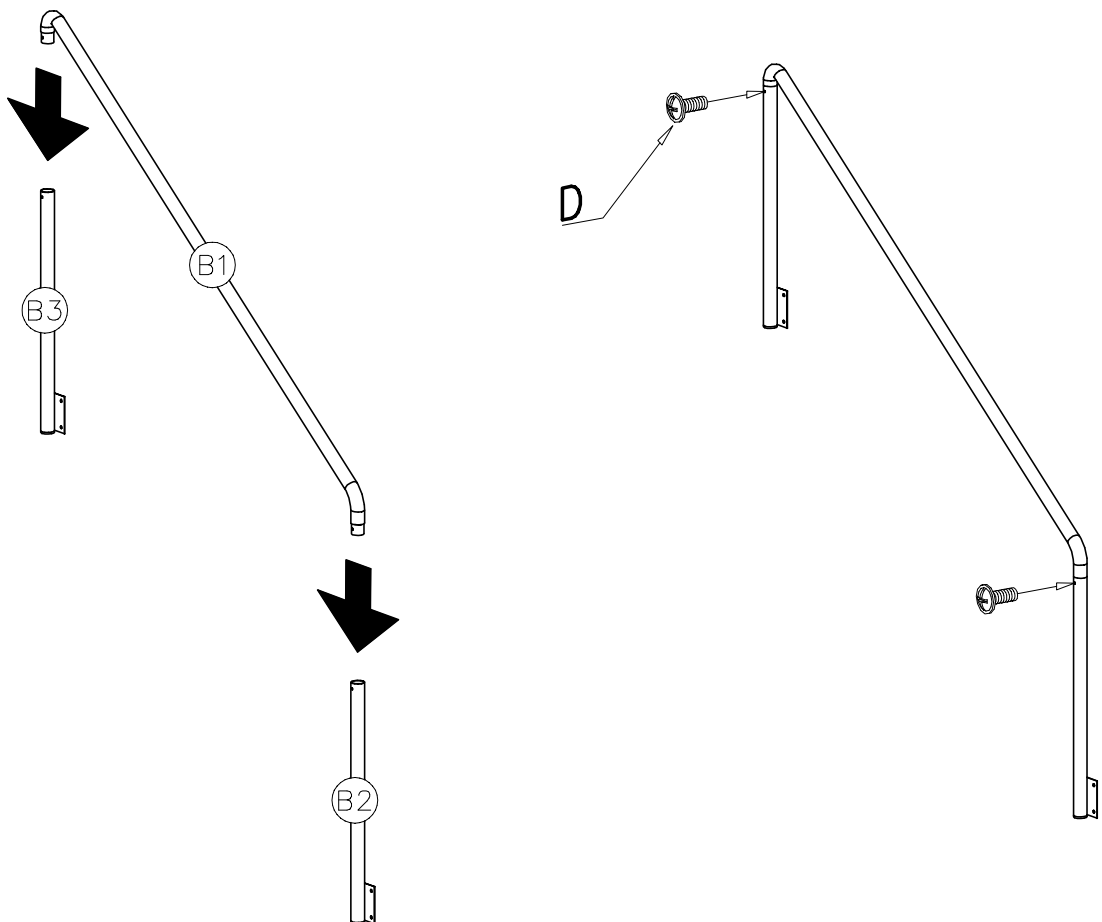


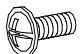
XIII

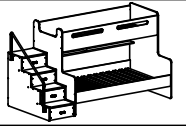


J 
6x50 x32

XIV

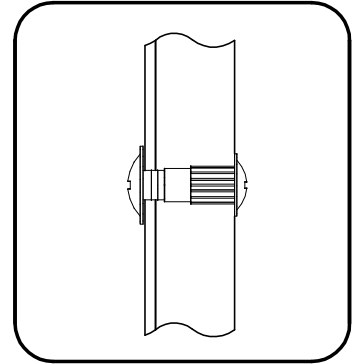
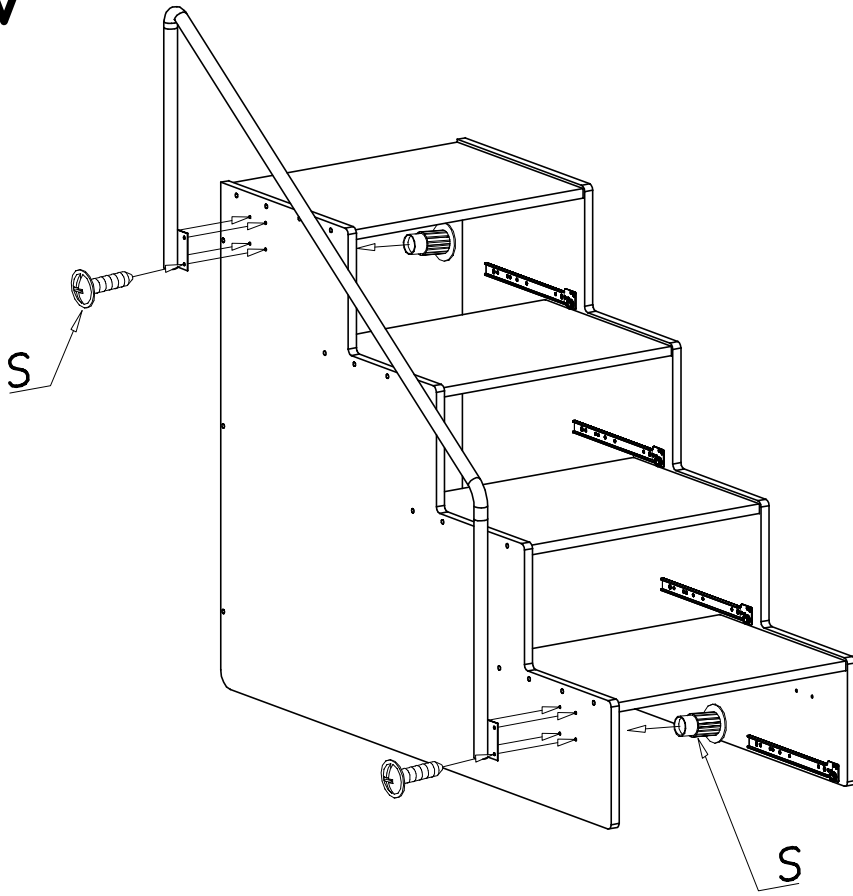


D 
M5x10 x2



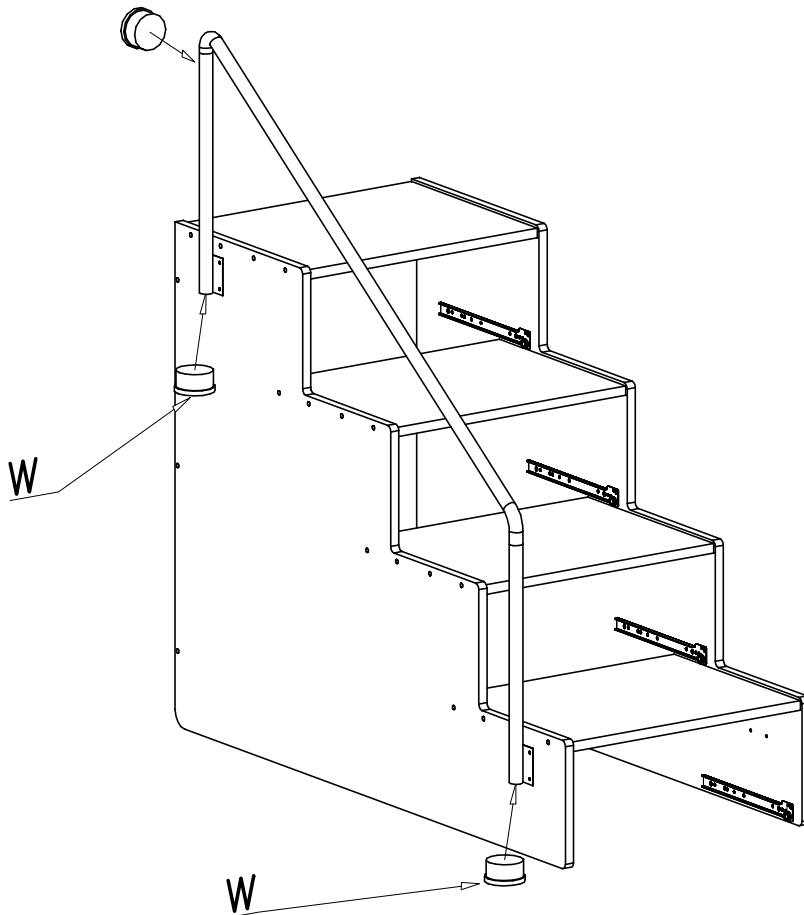
XV

S
9x20 x8

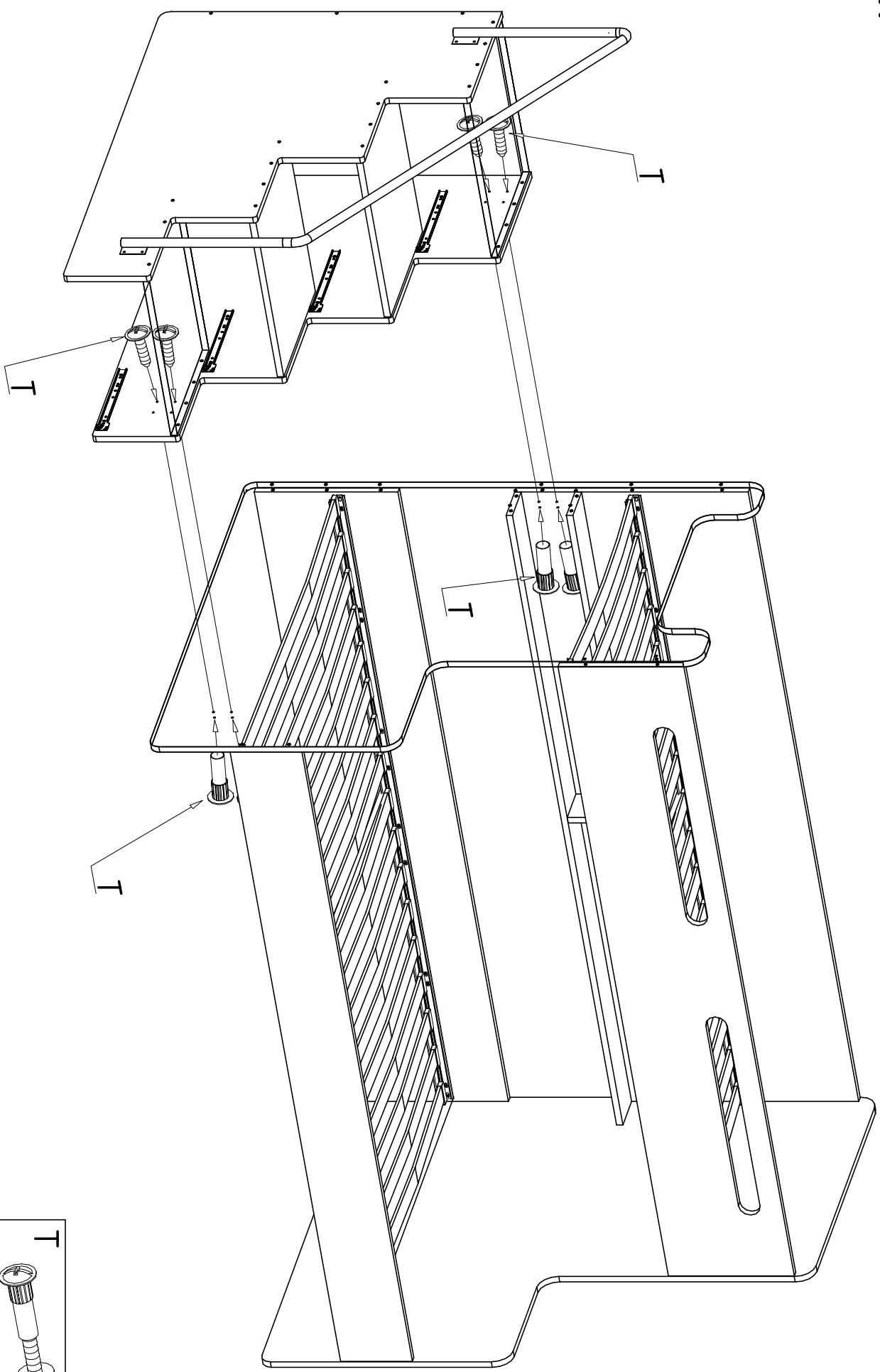


XVI

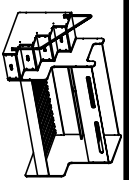
W
x3



XVII



T
8x30
X4





XVIII

