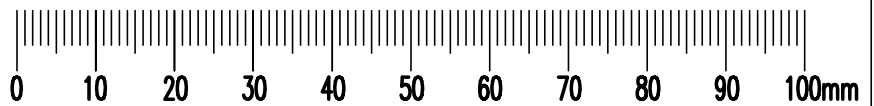
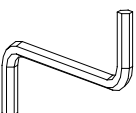
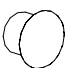

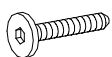
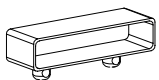
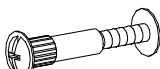

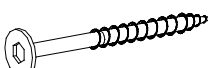



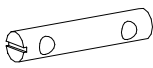


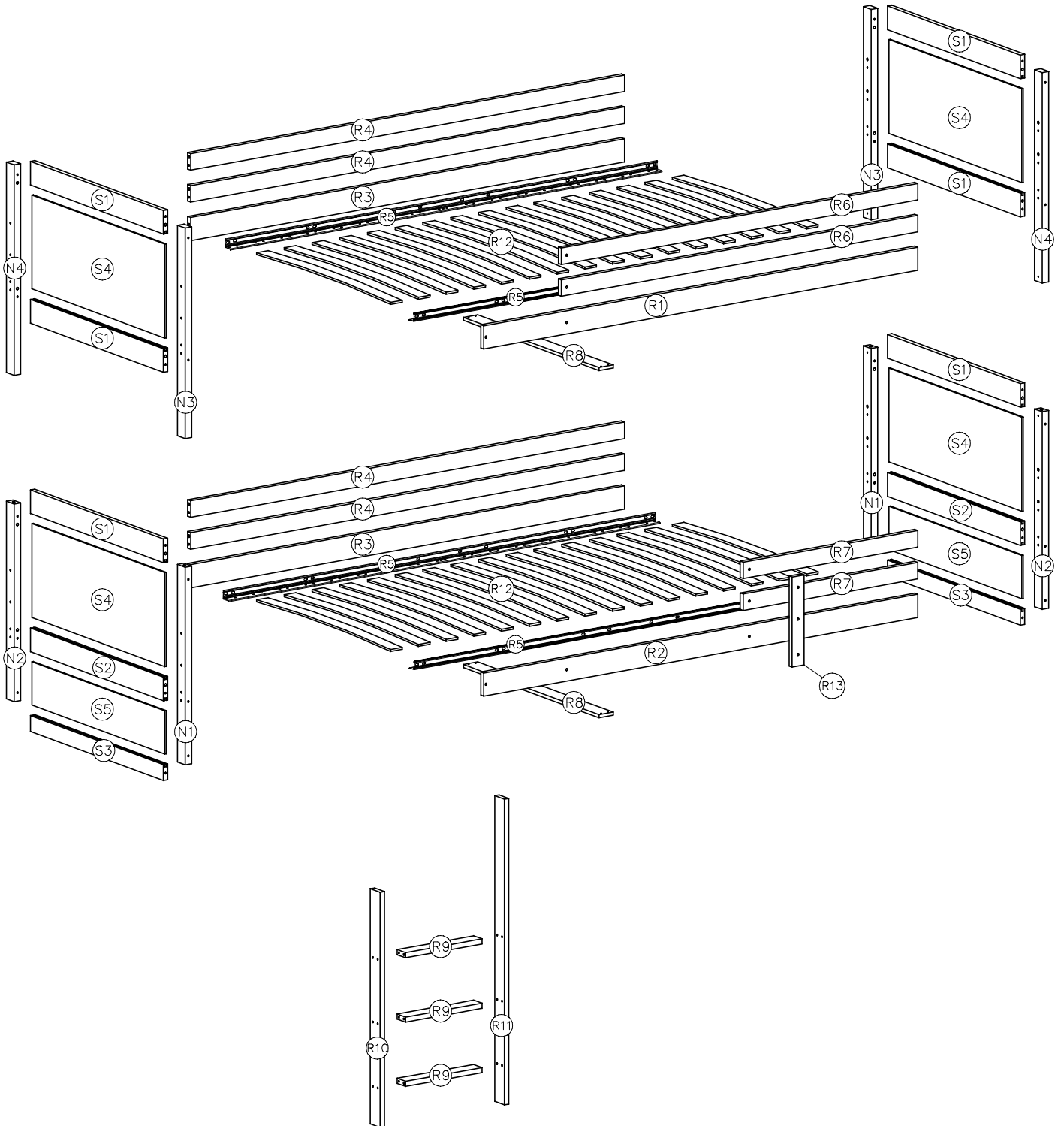
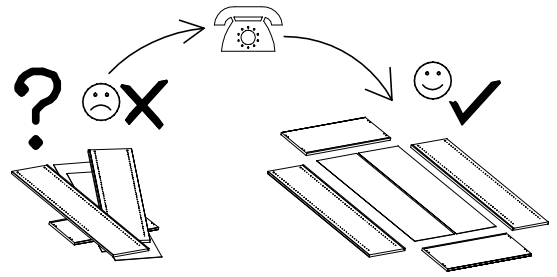
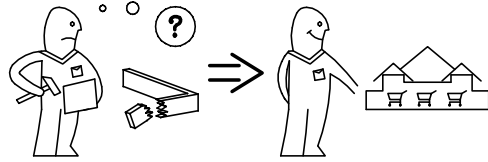
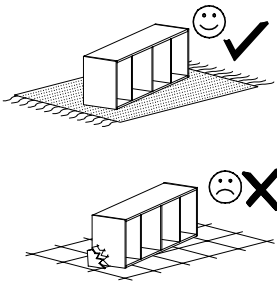
nr	Menge Ilość Quantity	Coli Paczka nr Pack
R1	1	1
R2	1	1
R3	2	1
R4	4	1
R5	4	1
R6	2	1
R7	2	1
R8	2	1
R9	3	1
R10	1	1
R11	1	1
R13	1	1

nr	Menge Ilość Quantity	Coli Paczka nr Pack
N1	2	2
N2	2	2
N3	2	2
N4	2	2
S1	6	2
S2	2	2
S3	2	2
R12	34	2

nr	Menge Ilość Quantity	Coli Paczka nr Pack
S4	4	3
S5	2	3

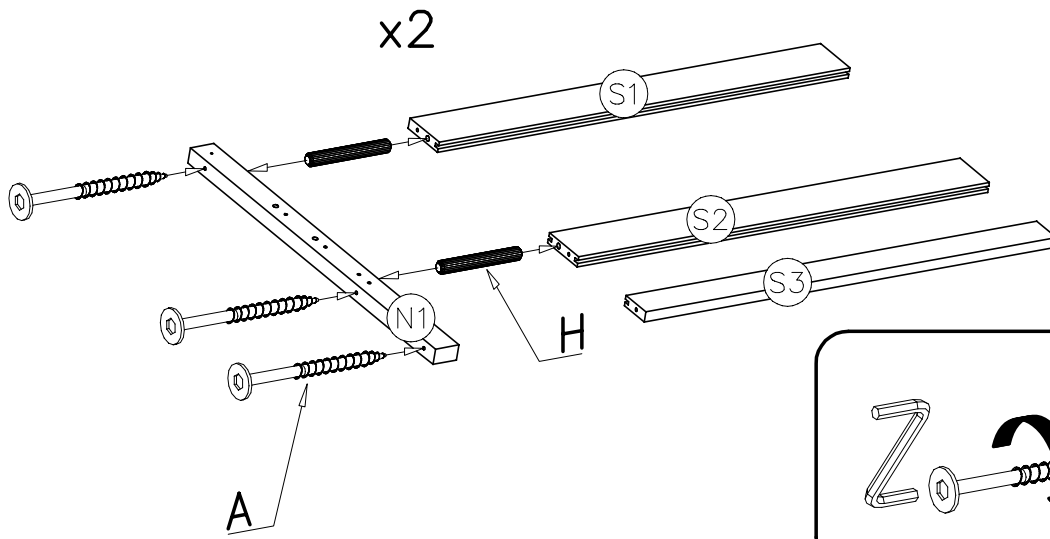


<b>P</b>  x1	<b>K</b>  ø8 x8			
<b>E</b>  6x13 x47	<b>Z</b>  M6x20 x8	<b>M</b>  x68	<b>I</b>  x3	<b>L</b>  ø10 x4
<b>A</b>  6x80 x20	<b>B</b>  6x70 x28	<b>C</b>  6x50 x18	<b>H</b>  ø10x50 x28	<b>J</b>  x4

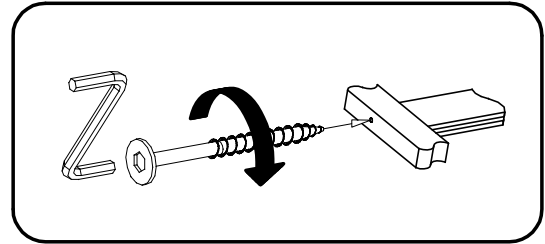




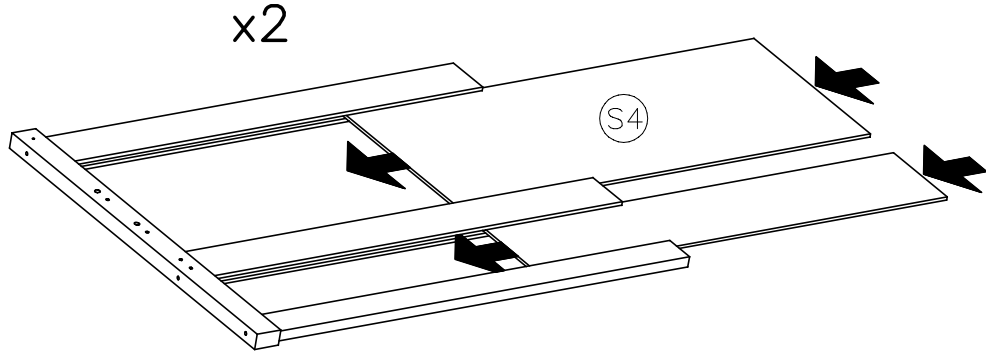
I



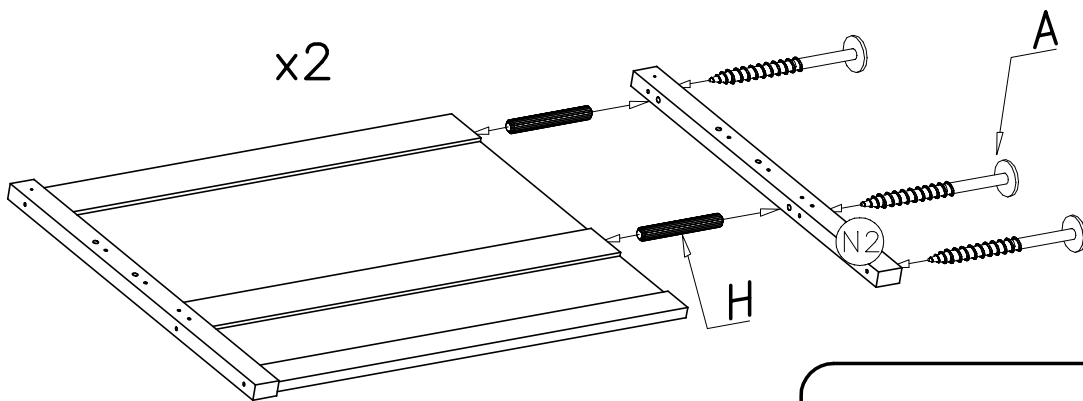
A		6x80	x6
H		∅10x50	x4



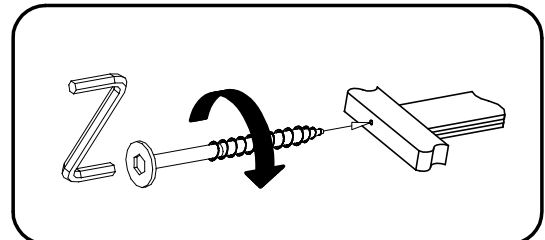
II



III

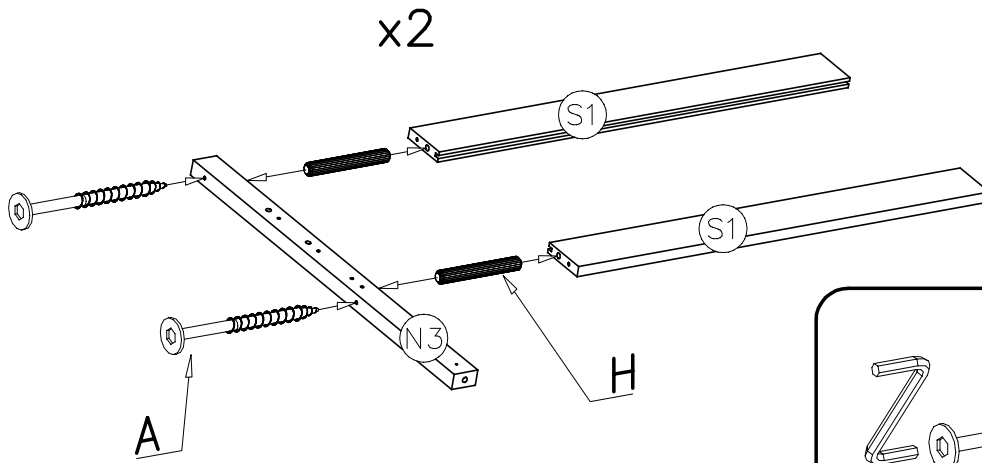


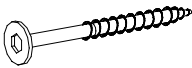

A		6x80	x6
H		∅10x50	x4

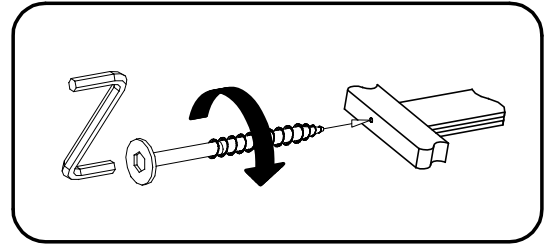




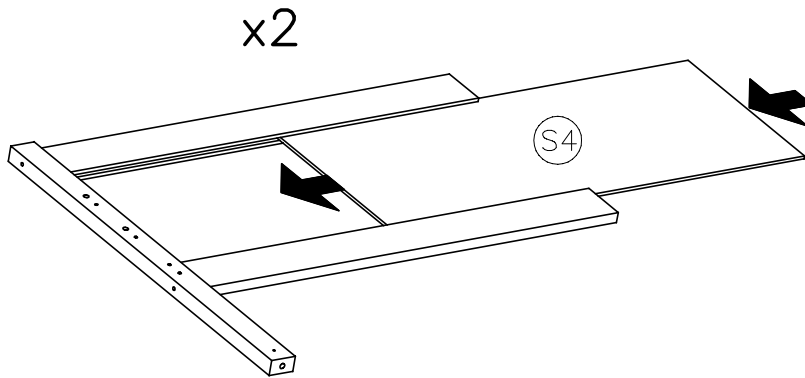
# IV



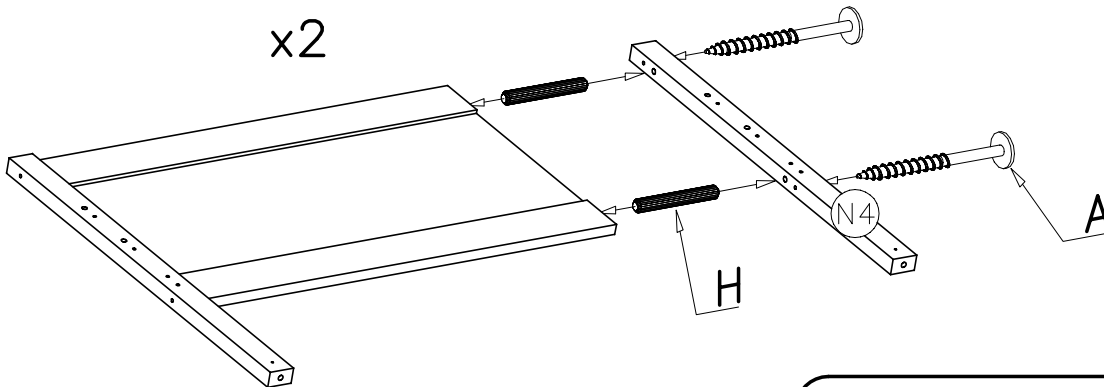
A		
	6x80	x4
H		
	ø10x50	x4

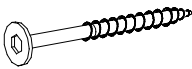



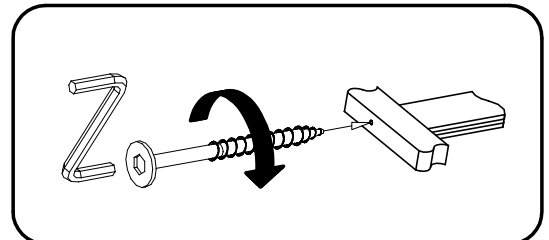
# V



# VI

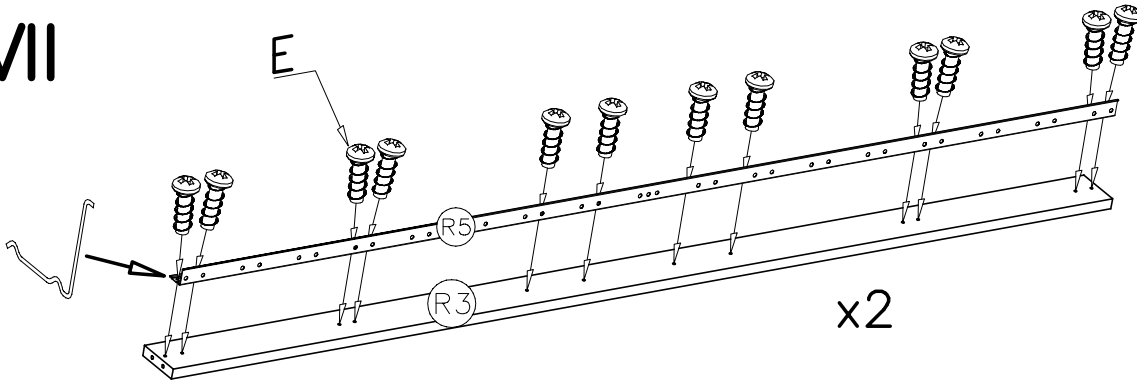


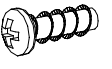
A		
	6x80	x4
H		
	ø10x50	x4



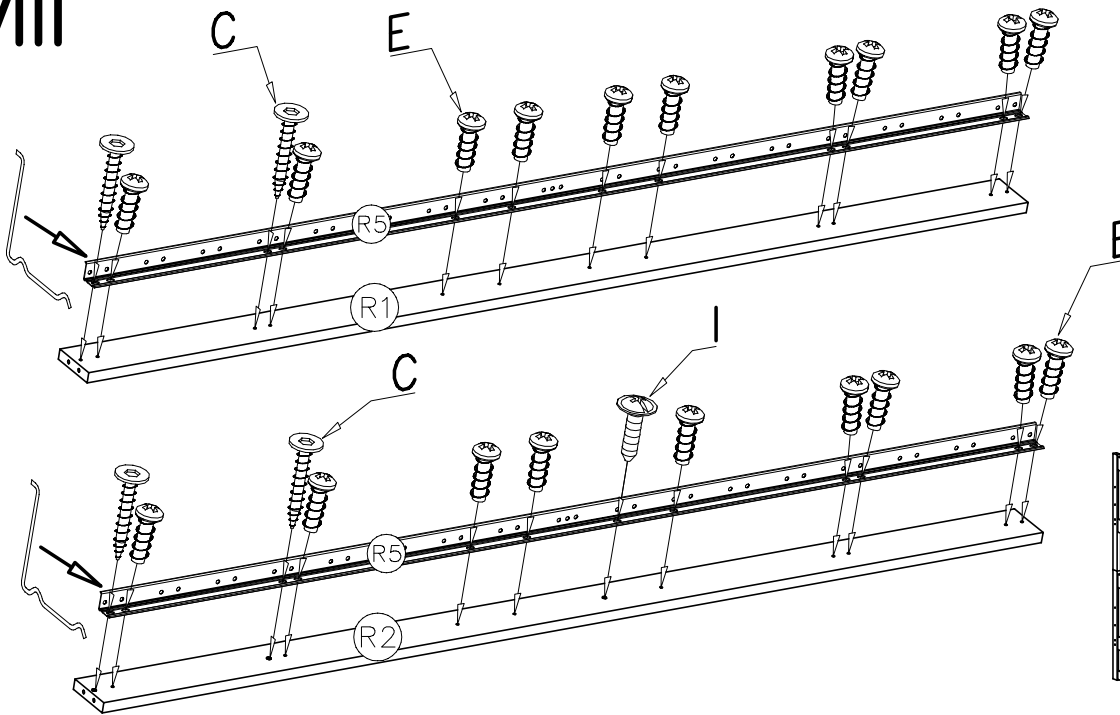


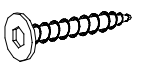
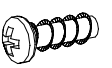
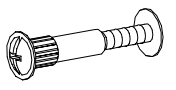
VII



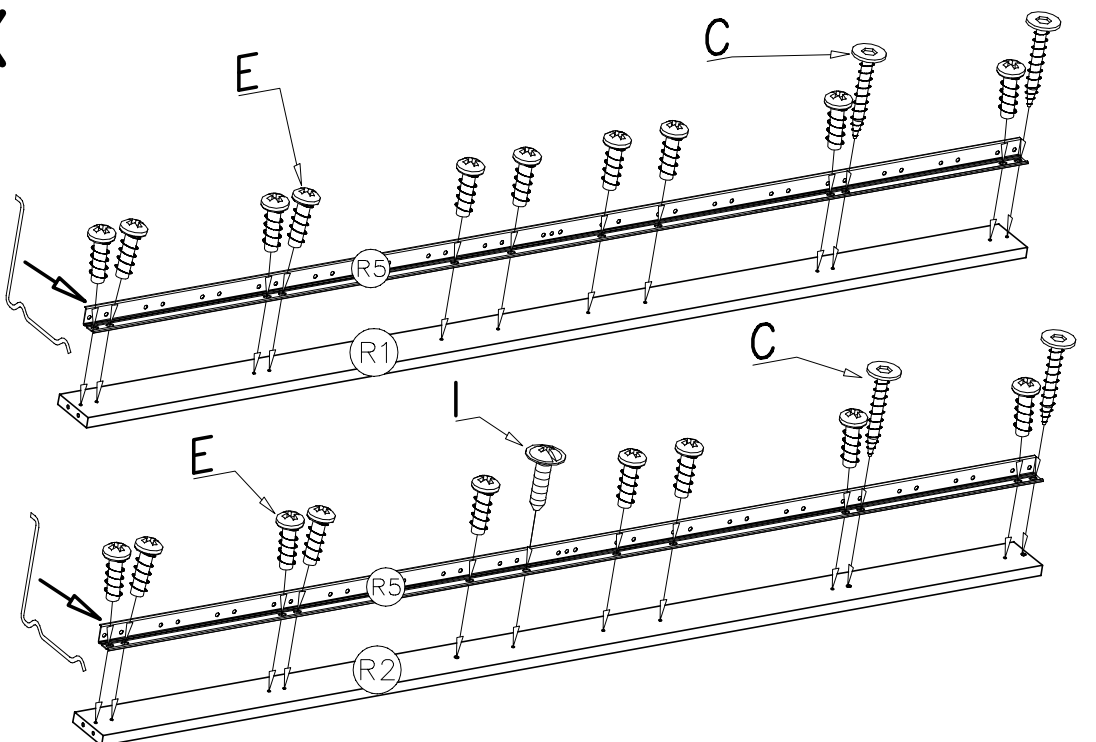
- E  x24
- 6x13

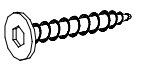
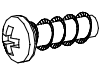
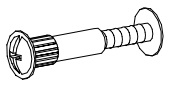
VIII

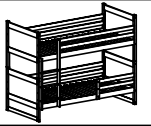


- C  x4
- 6x50
- E  x19
- 6x13
- I  x1

IX

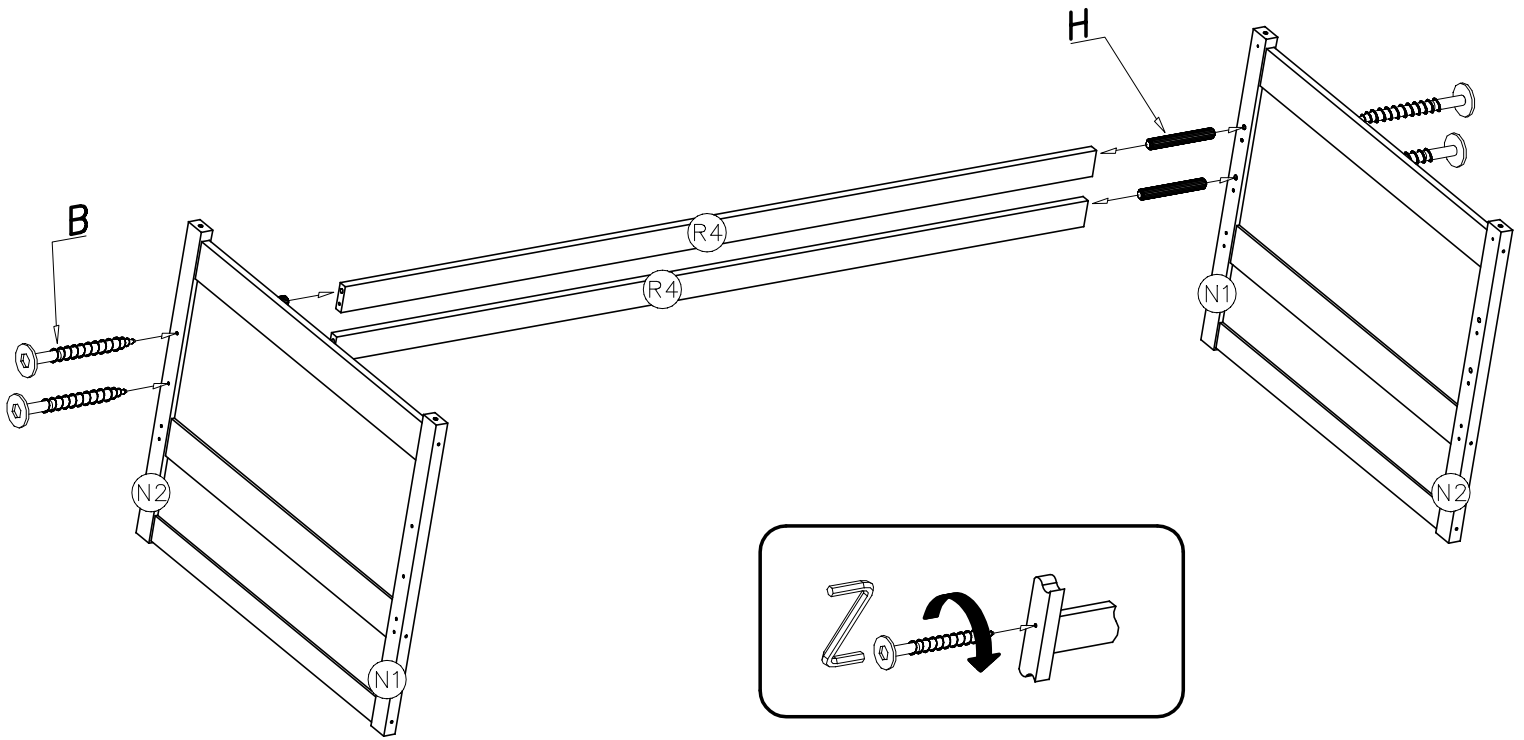


- C  x4
- 6x50
- E  x19
- 6x13
- I  x1



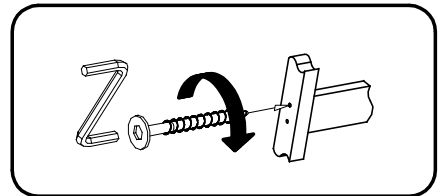
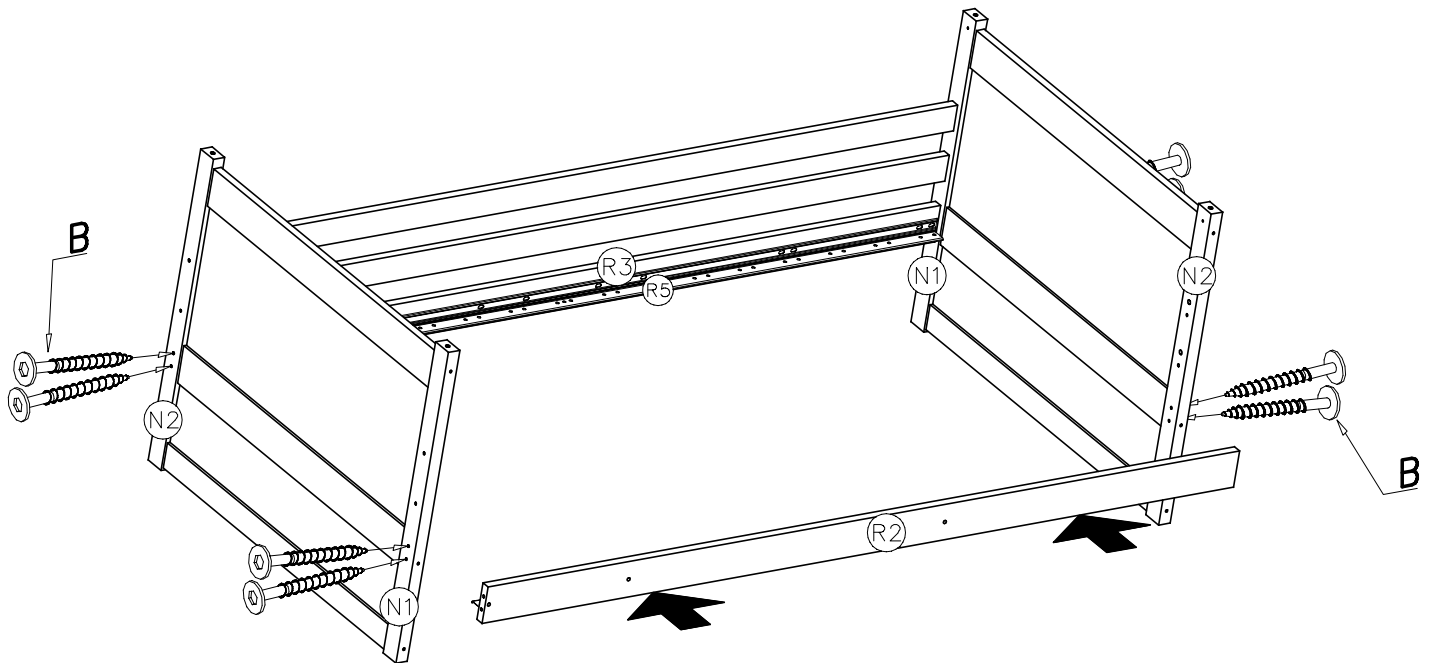
# X

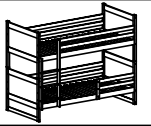
- |        |    |      |    |
|--------|----|------|----|
| H      |    | B    |    |
| ∅10x50 | x4 | 6x70 | x4 |




# XI

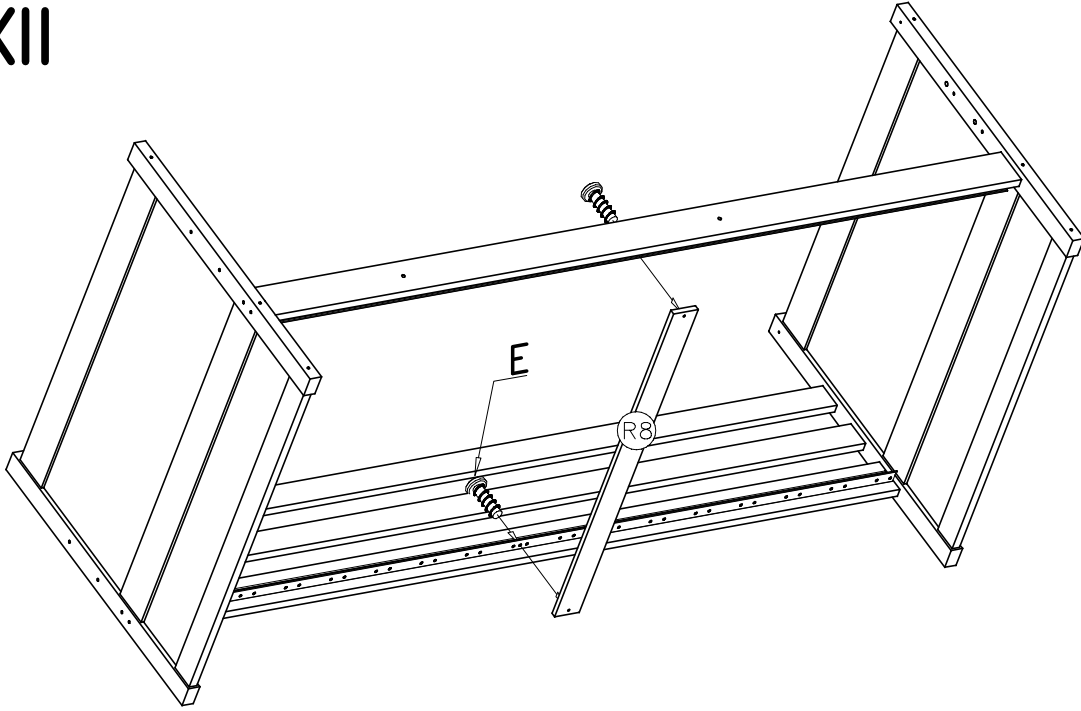
- |      |    |
|------|----|
| B    |    |
| 6x70 | x8 |




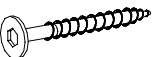


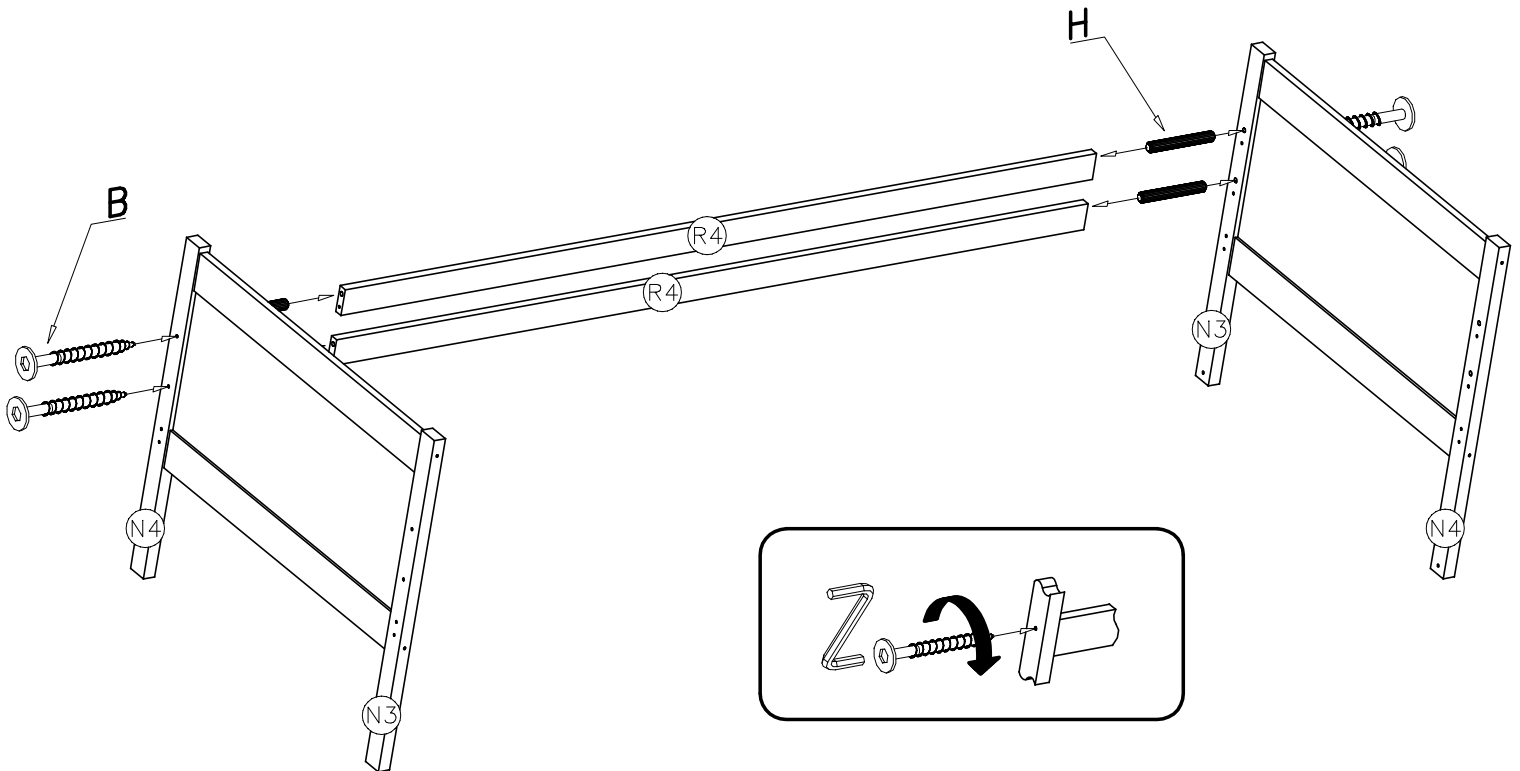
# XII

E  6x13 x2

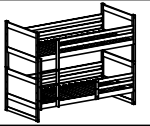


# XIII

H  Ø10x50 x4  
B  6x70 x4

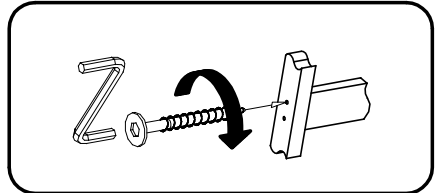
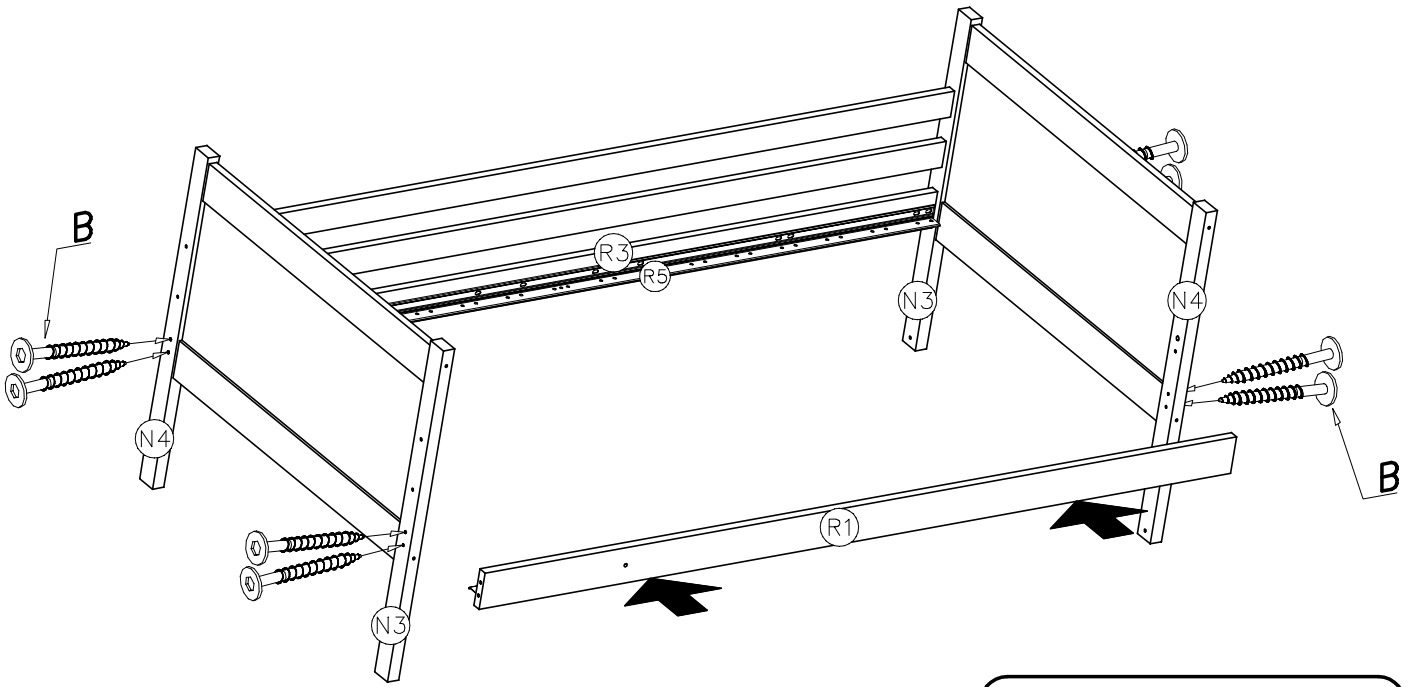






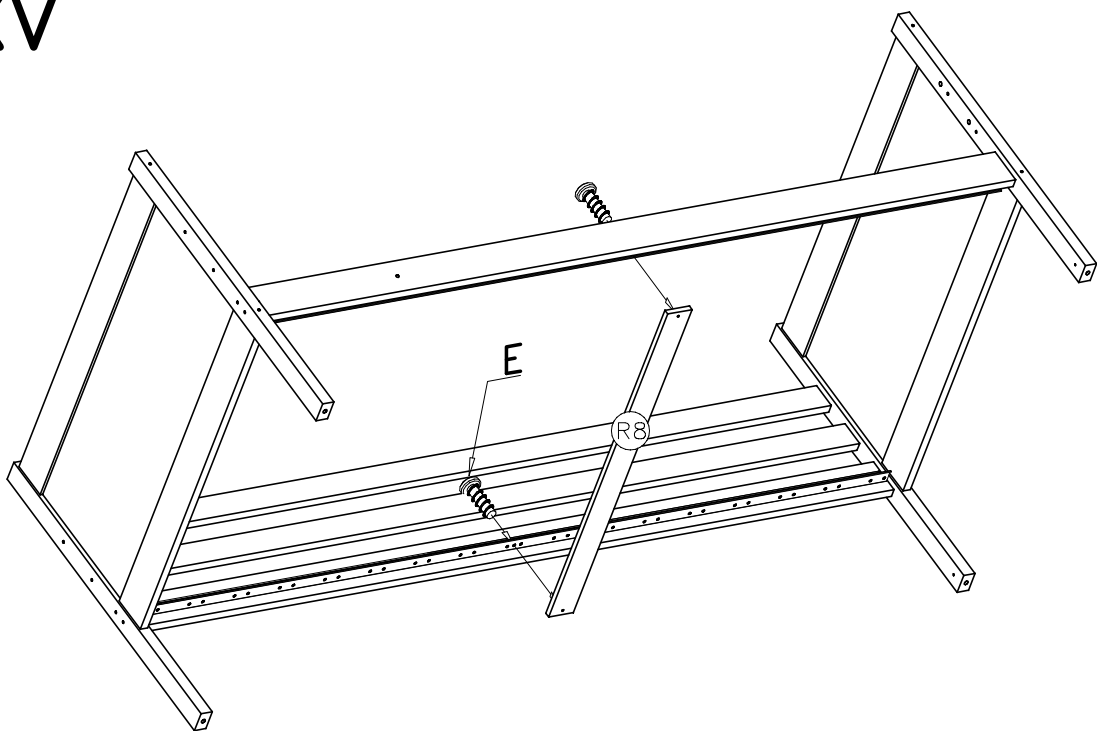
# XIV

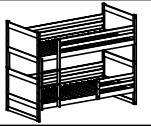
**B**  
6x70 x8



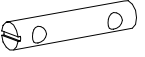
# XV

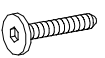
**E**  
6x13 x2

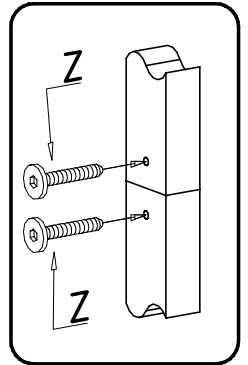
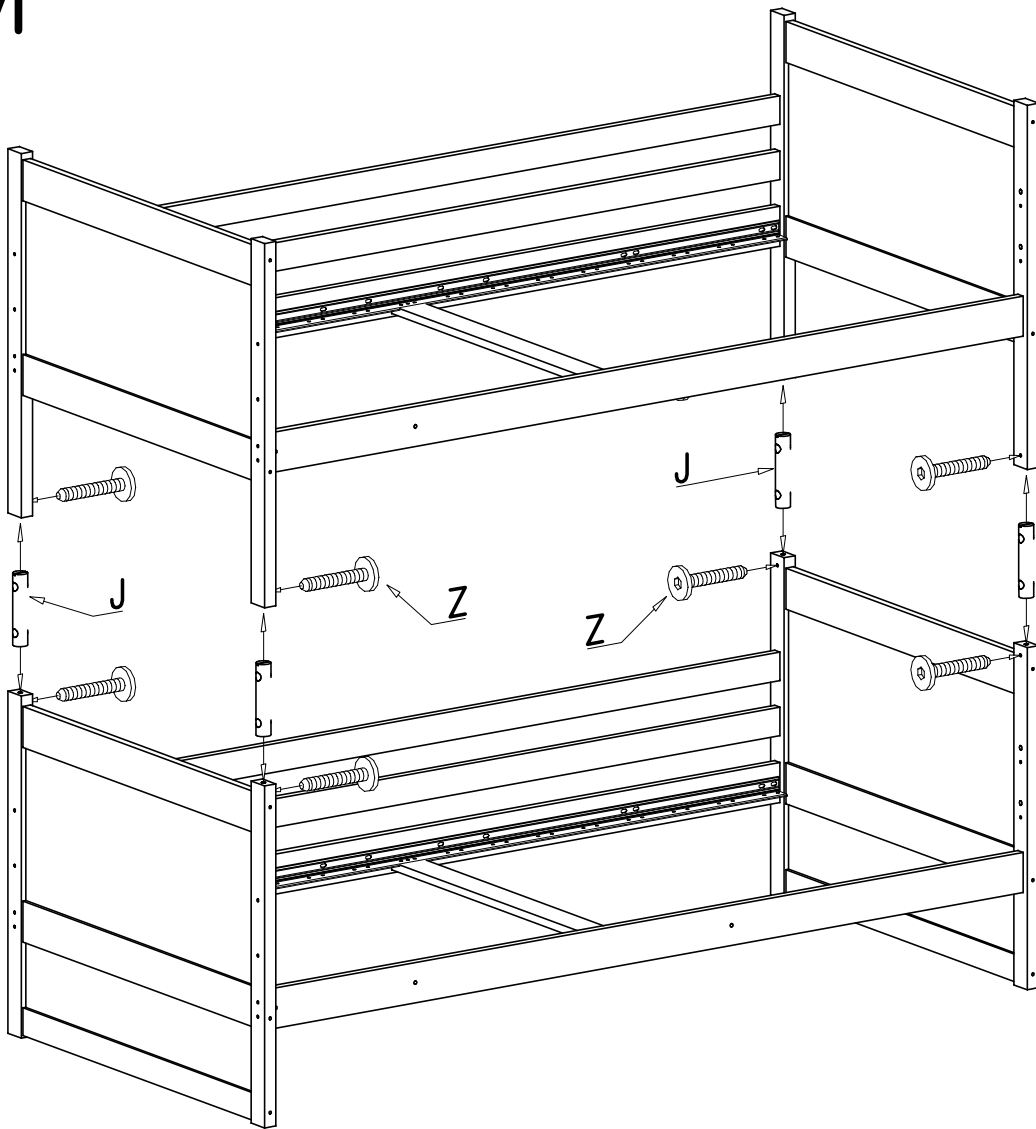




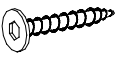
# XVI

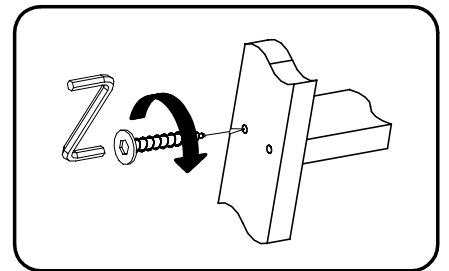
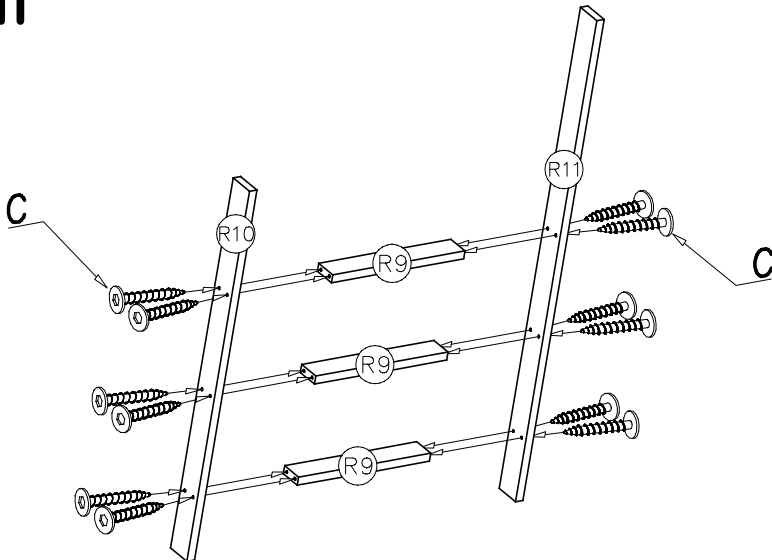
J  x4

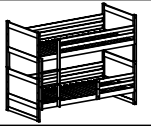
Z  M6x20 x8



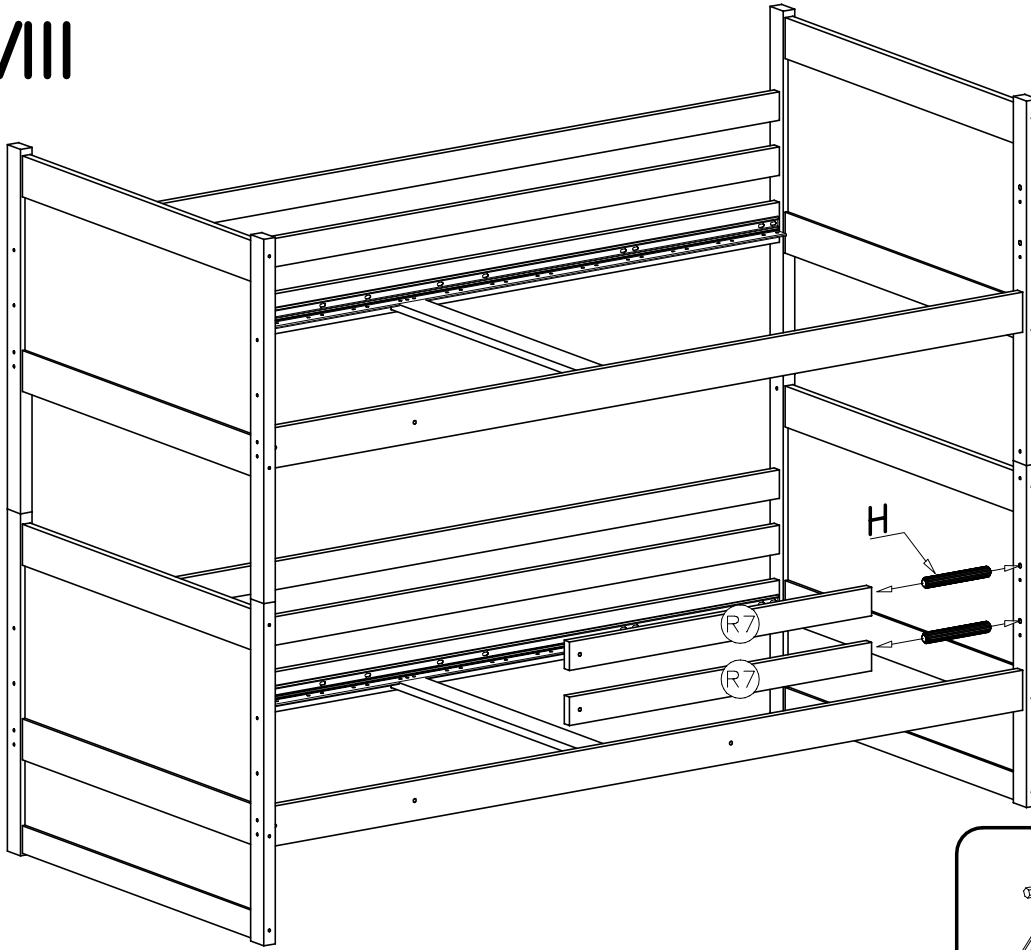
# XVII

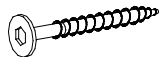

C  6x50 x12

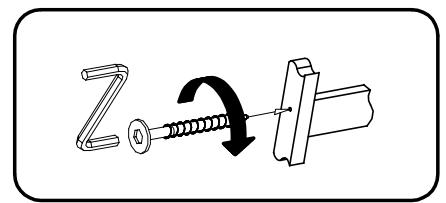




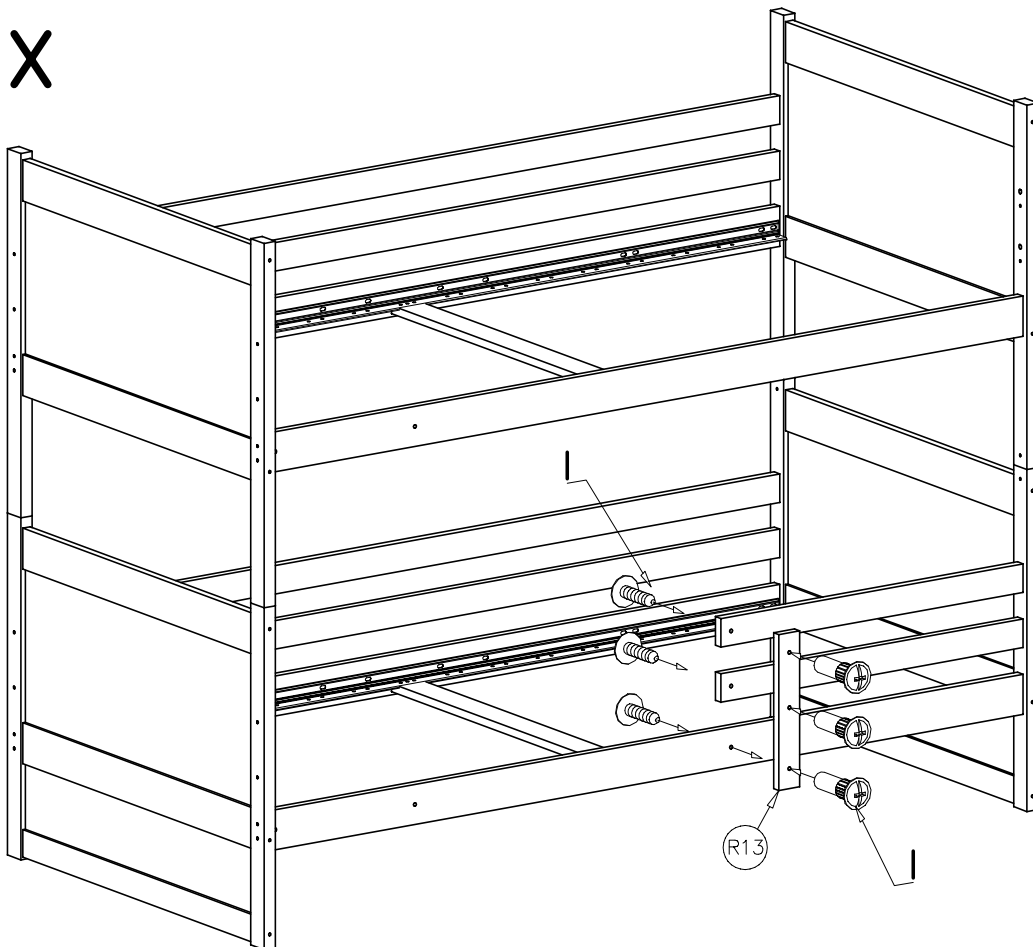
# XVIII

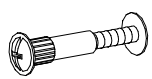


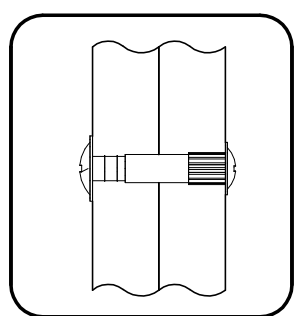
- B**  6x70 x2
- H**  Ø10x50 x2

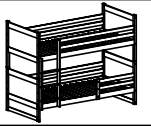


# XIX

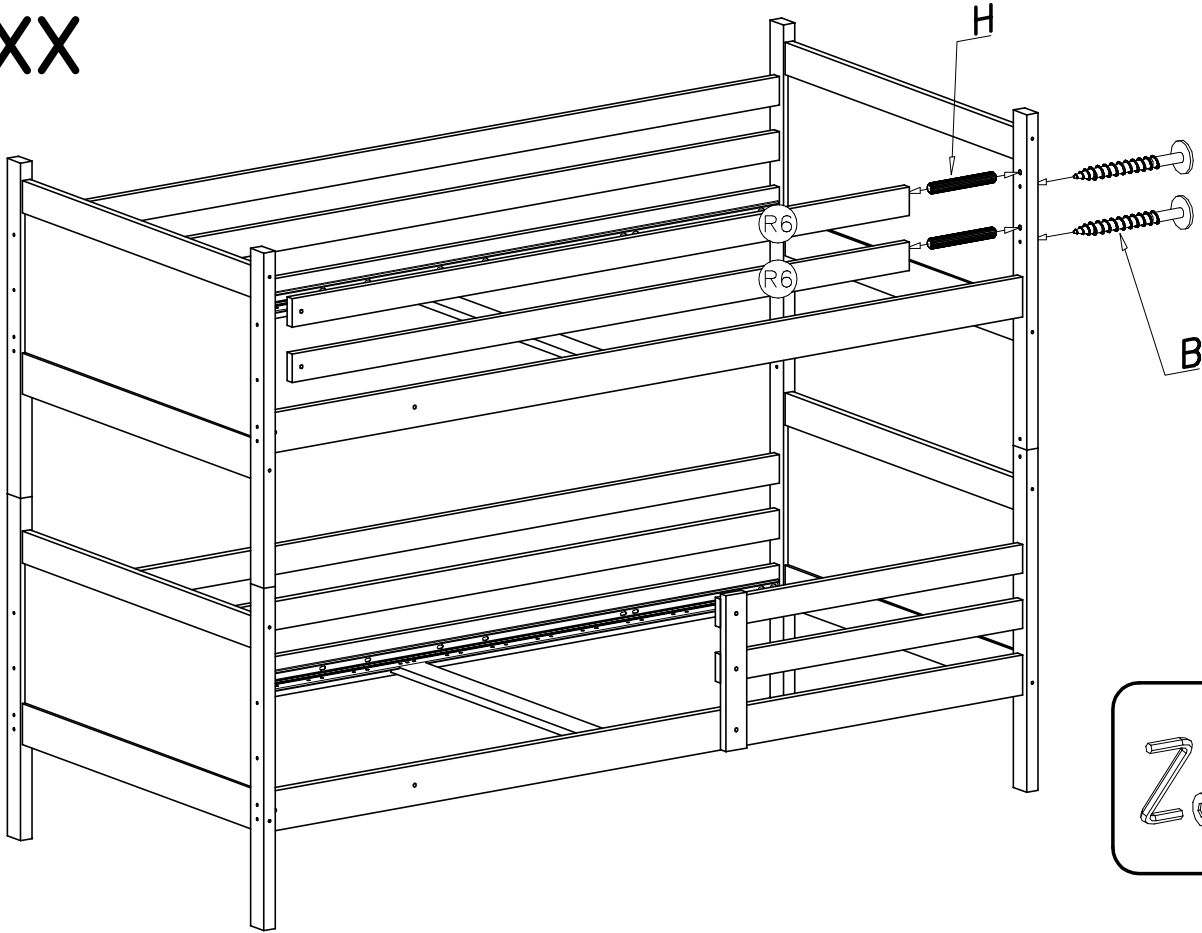


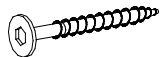
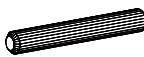
- I**  x3

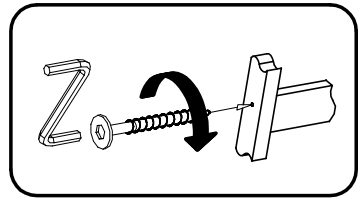




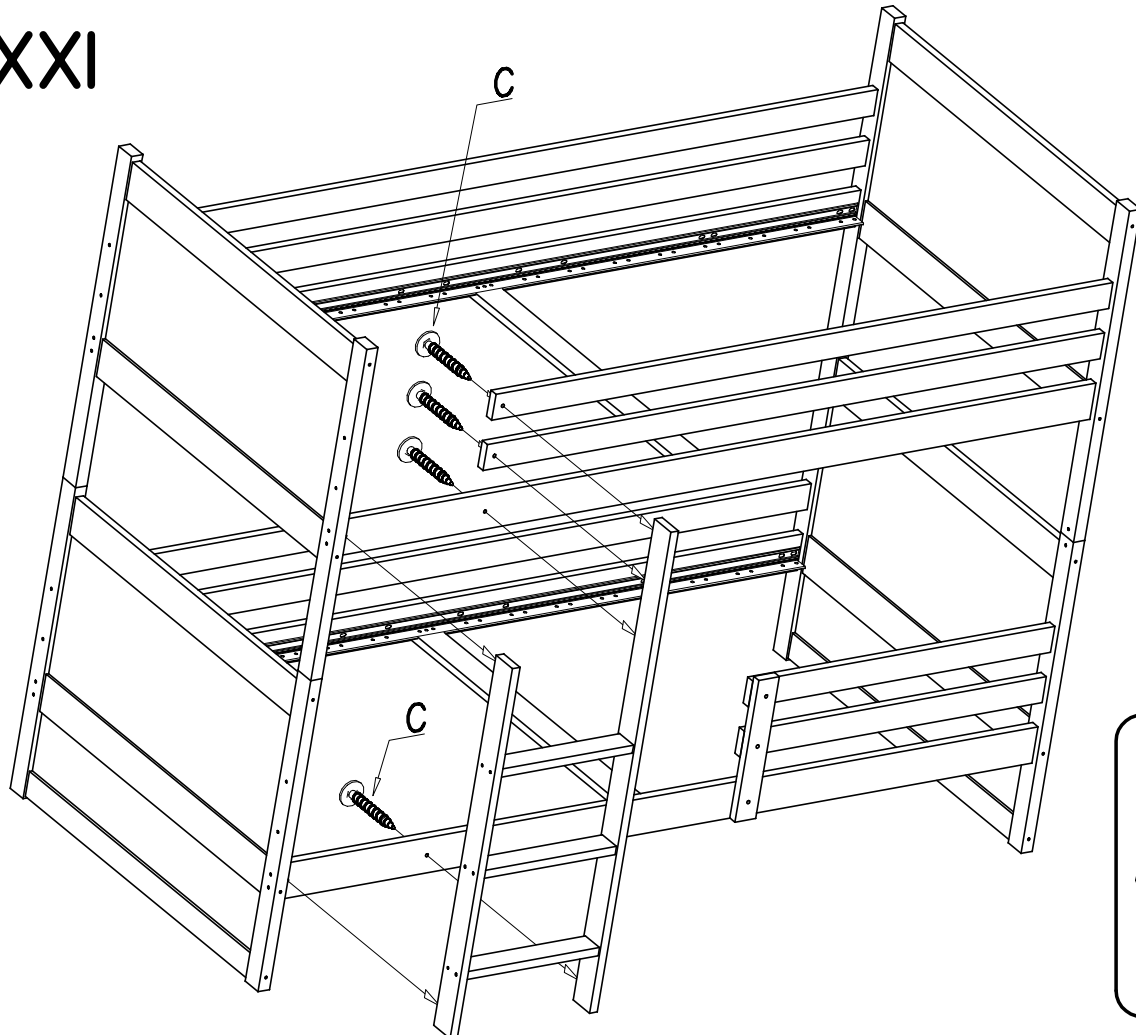
# XX




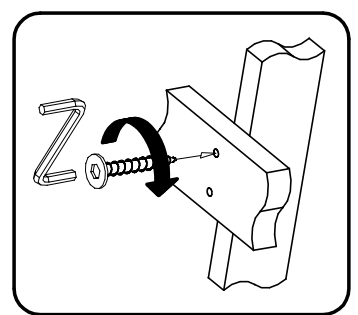
- B**  6x70 x2
- H**  Ø10x50 x2

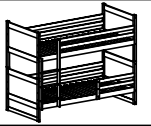


# XXI

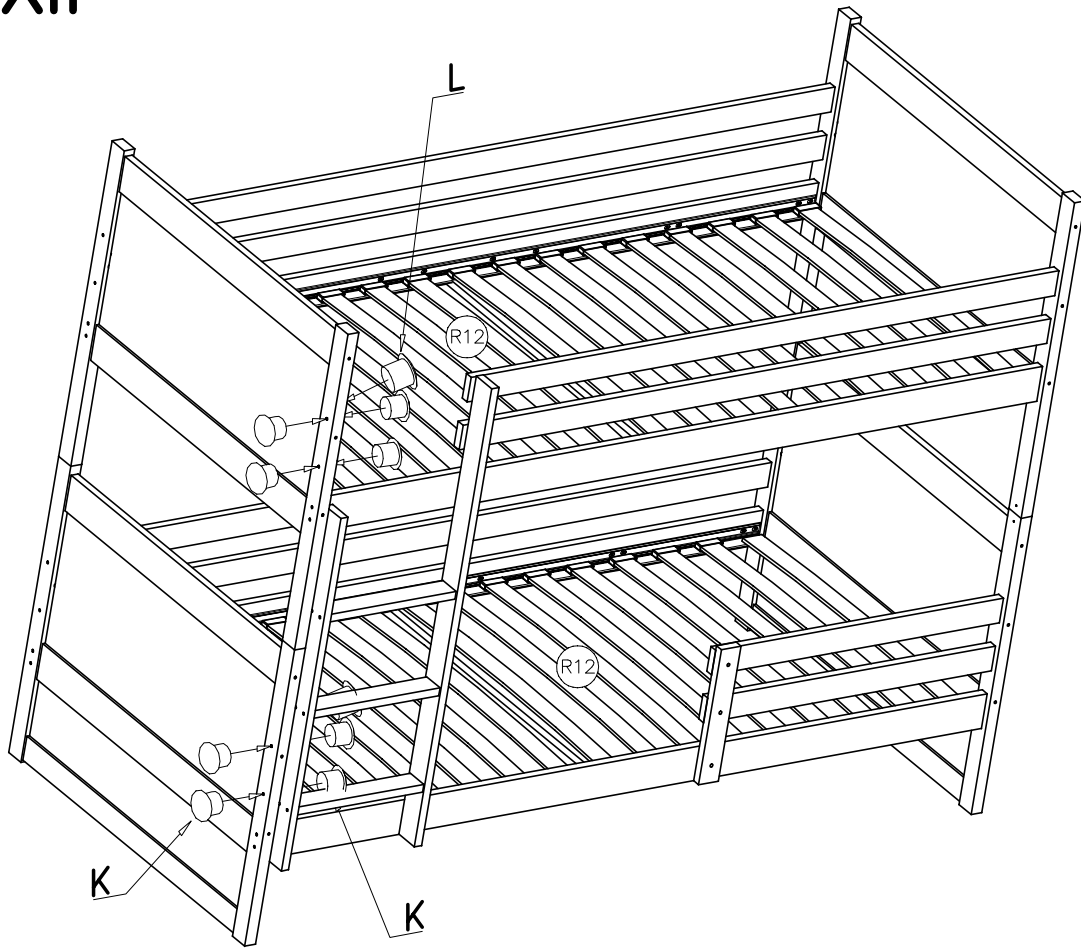


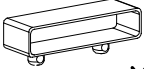


- C**  6x50 x6





# XXII



M		x68
K		x8
L		x4

